

VIZ-A-R-T AUTOMATION



CATALOG 2018

iPad DOCKING STATIONS

INFINITY iPad Frame	4
INFINITY mini	5

ELECTRIC SCREENS

ELLIPSE	6
ELLIPSE TENSION	7
SUPER NOVA	8
SUPER NOVA TENSION	9
MASKED	10
MASKED TENSION	11
FLOOR UP SCREEN	12
BUSINESS Plus	13

FRAME SCREENS

FRAME	14
MAXFRAME	15

SCREEN LIFTS

SCREEN-LIFT	16
UP-SCREEN	17

PROJECTOR LIFTS

IMPLE Slim	19
SPAV 30	20
SPAVMAX 60	21
MAX-LIFT	22
SLIM LIFT S	23
CINE-LIFT	24
CINEMAX-LIFT	25
UP-LIFT	26

TV LIFTS

ART-LIFT	29
V-LIFT	30
VMAX-LIFT 95	31
SIDE-LIFT	32
CP-LIFT S	33
CP-LIFT M	34
CP-LIFT L	34
ADVANCED	35
SMARTBOARD LIFT	36

PROJECTOR ENCLOSURES

VIZBOX	38
PROTECT	39

TV ENCLOSURES

OUTDOOR Enclosure	40
-------------------	----

PROJECTOR MOUNTS

LEADER Mount	41
MIDI Mount	42
LEADER Motion	43
MIDI Motion	44

TV MOUNTS

FLEXI / STATIC / STATIC	45
LEO Slim	46
LEO Motion	47

TV STANDS

GEMINI	48
LIBRA Mobil	49

CONTROL DEVICES

IR receiver + RS232	50
TRIGGER 5-30V DC	50
EXTEND IR	50
TR2	50
TRIGGER 230V RF	50
RADIO REMOTE TOUCH 1	51
Built-in RF receiver	51
RF RECEIVER	51
RF remote control	51
RF receiver with buttons	51

SPECIFICATION

53

At VIZ-ART AUTOMATION we strive to meet your expectations by designing and producing high quality projection screens, lifts for projectors and mounts required for professional AV installations.

Professional customer service, production located in central Poland and short lead times all ensure convenient collaboration with our trading partners. Our well trained staff will assist you in choosing the optimal solution that will meet the needs of your project.

VIZ-ART's offer is full of complete professional solutions from precision lifts for projectors and TVs through mounts, projection screens and finishing with custom made projects. We meet the highest expectations of our customers by creating new products and continuously developing.

We invite you to cooperate with us in the construction of home theatres, conference rooms and theatre projects.

VIZ-ART AUTOMATION

“Imagination is more important than knowledge. For knowledge is limited to all we now know and understand, while imagination embraces the entire world, and all there ever will be to know and understand.”

— Albert Einstein



*Our purpose in VIZ-ART Automation is the original design & functionality of its screens and lifts.
It makes Us a leading supplier of equipment for prestige locations. In designing lifts
and projection screens we pay attention to the comfort of the users and exceptional functionality.*



INFINITY iPad Frame



Infinity iPad Frame, a device used for wall mounting an iPad that runs an intelligent home system. Allows you to embed your iPad completely in the wall. Only a stylish frame in a chosen colour will be visible against the surface.

Easy installation: Mounted in a wall niche, leaving only a stylish glass frame visible. A reliable mounting method which ensures that your iPad remains safe and stable.

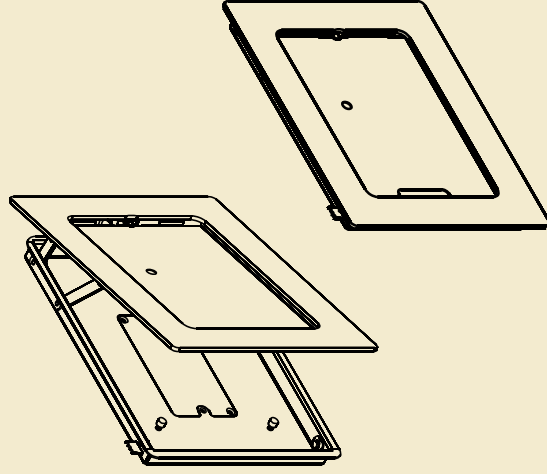
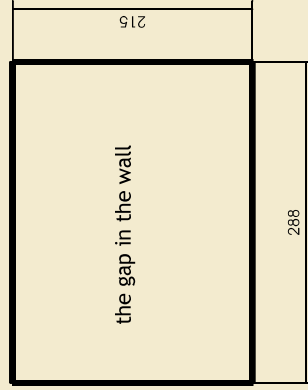
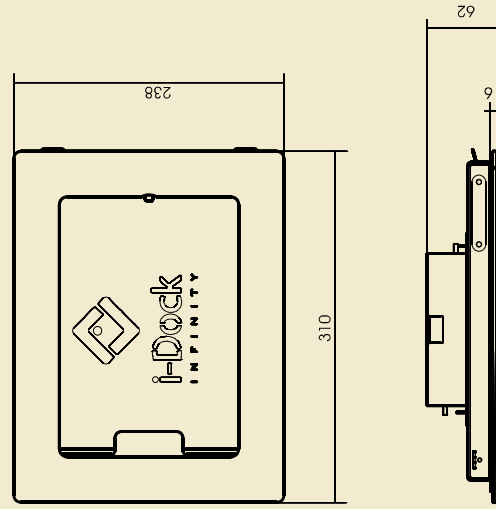
Colours: The INFINITY iPad Frame is available in white and black to match the iPad colour.

Power: Your iPad can be powered by the original Apple cable, never running out of battery. A Lightning Connector cable is included.



Applications: Easy to mount either horizontally or vertically. A perfect alternative for all smart home control touch screens. Can be integrated in residential, home and commercial settings.

Ease of use: You can lift up the INFINITY iPad Frame at any time to remove the iPad and sit down comfortably on a couch. When you insert the iPad back into the frame, it resumes its functions as an intelligent home monitoring device.



INFINITY iPad Frame

Materials	glass, steel painted
Compatibility	<ul style="list-style-type: none"> • iPad • iPad Air2 • iPad Pro 9, 7"
Colours	<ul style="list-style-type: none"> • white • black
Applications	<ul style="list-style-type: none"> • horizontally • vertically
Option	adapter
Power	original cable Lightning Connector is included
Security	closing magnets
Installation	in a wall niche
Producer	VIZ-ART Automation Europe

INFINITY mini



INFINITY mini, a device used for wall mounting an iPad that runs an intelligent home system. Allows you to embed your iPad completely in the wall. Only a stylish frame in a chosen colour will be visible against the surface.

Easy installation: Mounted in a wall niche, leaving only a stylish glass frame visible. A reliable mounting method which ensures that your iPad remains safe and stable.

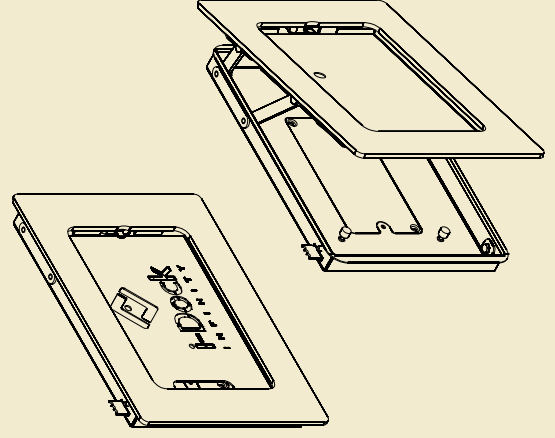
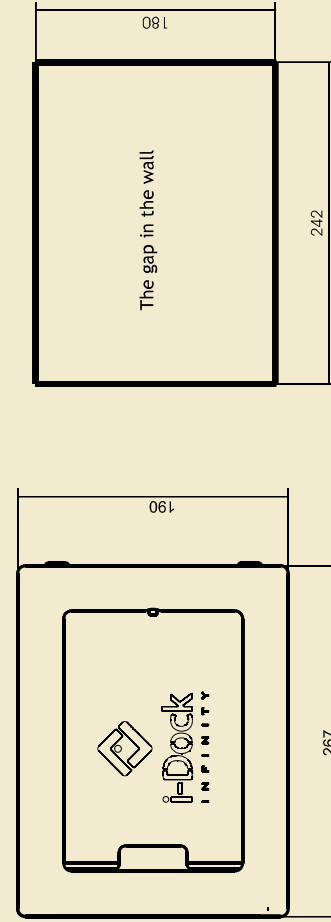
Colours: The INFINITY mini is available in white and black to match the iPad colour.

Power: Your iPad can be powered by the original Apple cable, never running out of battery. A Lightning Connector cable is included.



Applications: Easy to mount either horizontally or vertically. A perfect alternative for all smart home control touch screens. Can be integrated in residential, home and commercial settings.

Ease of use: You can lift up the INFINITY mini at any time to remove the iPad and sit down comfortably on a couch. When you insert the iPad back into the frame, it resumes its functions as an intelligent home monitoring device.



INFINITY mini	
Materials	glass, steel painted
Compatibility	<ul style="list-style-type: none"> • iPad mini • iPad mini 2 • iPad mini 3 • iPad mini 4
Colours	<ul style="list-style-type: none"> • white • black
Applications	<ul style="list-style-type: none"> • horizontally • vertically
Option	adapter
Power	original cable Lightning Connector is included
Security	closing magnets
Installation	in a wall niche
Producer	VIZ-ART Automation Europe

ELLIPSE

Advantages of the screen: reliable construction and original design of the screen for modern and stylish interiors.

Functionality: every aspect ratio; stylish casing from satin aluminium; full customization; installation possible in a window; Somfy drive with a 5 year warranty; control options: IR and RF, Trigger, RS232.



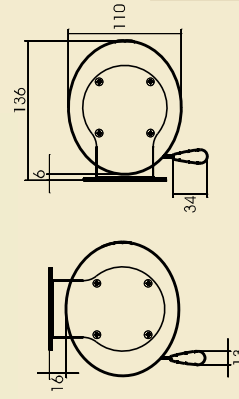
ELLIPSE projection screens, with their unique casing design and high class projection surface, are the best choice among screens for home theatres and conference rooms. The high quality of the screen and full customization options make it the best choice on the demanding Audio Video market and Home Cinema.

Screen ELLIPSE

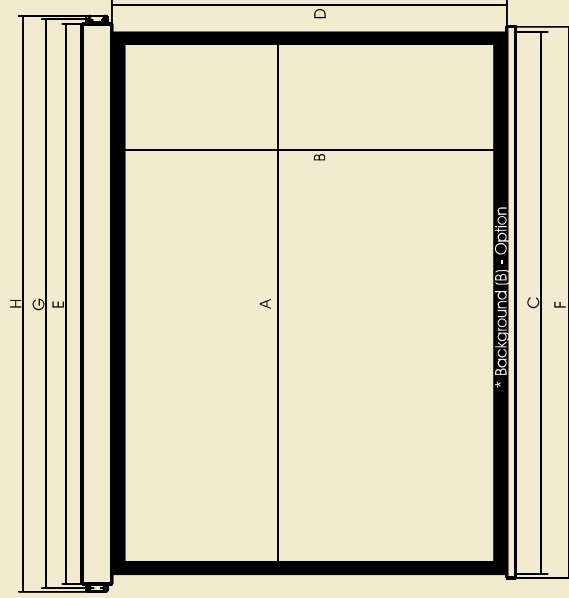
Casing	aluminium, silver, elliptical shape,
Case profile	ellipse (W 13 cm x H 11 cm)
Installation	• ceiling; • wall
P. surfaces:	<ul style="list-style-type: none"> • 1,0G -500g •150°•0,5mm • 0,8G •490g •170°•0,5mm • 1,1G •to 830g •150°•0,7mm • 2,6G •450g •100°•0,5mm • 1,0G •650g •150°•0,5mm
Image aspect ratio	<ul style="list-style-type: none"> • 4:3 • 16:9 • 16:10 and more
Max. Width of base [cm]	600 (selected models)
Control system	<ul style="list-style-type: none"> • wall switch • option: IR RF, Trigger 5-30V, Trigger 230V, RS232
Back of projection surface	black (selected models)
Power supply	SOMFY, 230V 50Hz; 42dB
Options	<ul style="list-style-type: none"> • „B” - Background • „BB” - top black belt • case colours RAL
„B” Background Frame	width - 5cm
Set	<ul style="list-style-type: none"> • screen; • mounting instruction manual; • wall switch; • assembly kit;
Warranty	5 years (power supply)
Producer	VIZ-ART Automation Europe



Width (cm)	Size (mm)									
	4:3		16:9				16:10			
	C	D	C	D	C	D	C	D	C	D
ELLIPSE 180	1800	1350	1800	1020	1800	1130	1800	1130	1800	1130
ELLIPSE 200	2000	1500	2000	1130	2000	1250	2000	1250	2000	1250
ELLIPSE 220	2200	1650	2200	1240	2200	1380	2200	1380	2200	1380
ELLIPSE 240	2400	1800	2400	1350	2400	1500	2400	1500	2400	1500
ELLIPSE 260	2600	1950	2600	1470	2600	1630	2600	1630	2600	1630
ELLIPSE 280	2800	2100	2800	1580	2800	1750	2800	1750	2800	1750
ELLIPSE 300	3000	2250	3000	1690	3000	1880	3000	1880	3000	1880
ELLIPSE 350	3500	2630	3500	1970	3500	2190	3500	2190	3500	2190
ELLIPSE 380	3800	2850	3800	2140	3800	2380	3800	2380	3800	2380
ELLIPSE 400	4000	3000	4000	2250	4000	2500	4000	2500	4000	2500



- *C = A + 100
- *D = B + 100
- E = C + 59
- F = C + 20
- G = C + 91
- H = C + 115



ELLIPSE TENSION

Advantages of the screen:

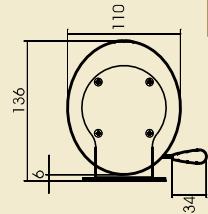
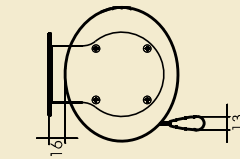
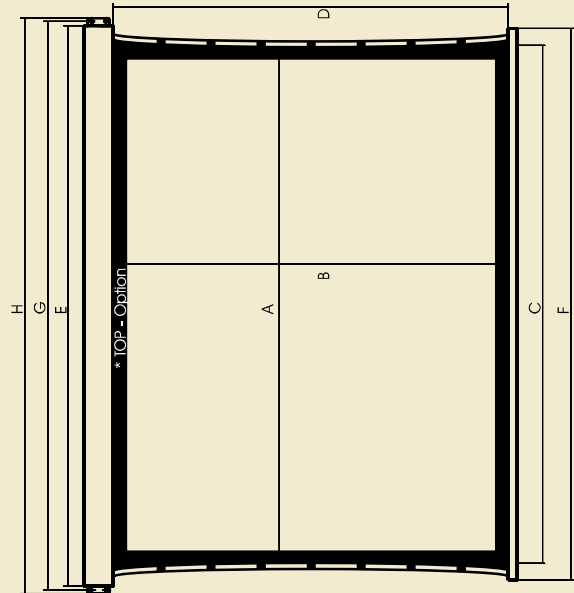
a tensioned screen projection surface and the casing design are the most important attributes of a good screen.

Functionality:

tensioned screen projection surface; every aspect ratio; stylish aluminium casing; full customization; Somfy drive with 5 years warranty; upper top BB; control options: IR, RF remote control, Trigger, RS232.



High-class projection screens with projection surface tensioners and original satin elliptical casing. The TENSION system tensions the projection surface of the screen in order to ensure that projection is comfortable. This line of screens has been created in response to the high expectations of demanding customers completing their dream Home Theatre.



- C = A + 100
- D = B + 100
- E = A + 319
- F = A + 280
- G = A + 351
- H = A + 375

Screen ELLIPSE TENSION

Casing	aluminium, silver, elliptical shape,
Case profile	ellipse (W 13 cm x H 11 cm)
Installation	• ceiling; • wall
P. surfaces:	• 1,0G • 500g • 150° • 0,5mm • 0,8G • 490g • 170° • 0,5mm
Image aspect ratio	• 4:3 • 16:9 • 16:10 • and more
Max. Width of base [cm]	600
Control system	• wall switch • option: IR RF, Trigger 5-30V, Trigger 230V, RS232
Back of projection surface	black, white
Power supply	SOMFY, 230V 50Hz; 42dB
Options	• „B” - Background • „BB” - top black belt • case colours RAL
„B” Background Frame	width - 5cm
Set	• screen; • mounting instruction manual; • wall switch; • assembly kit;
Warranty	5 years (power supply)
Producer	VIZ-ART Automation Europe



Width (cm)	Size (mm)					
	4:3		16:9		16:10	
	A	B	A	B	A	B
ELLIPSE TENSION 184	1740	1310	1740	980	1740	1090
ELLIPSE TENSION 204	1940	1460	1940	1090	1940	1220
ELLIPSE TENSION 264	2540	1910	2540	1430	2540	1590
ELLIPSE TENSION 284	2740	2060	2740	1540	2740	1720
ELLIPSE TENSION 304	2940	2210	2940	1660	2940	1840
ELLIPSE TENSION 334	3240	2430	3240	1830	3240	2030
ELLIPSE TENSION 364	3540	2660	3540	1990	3540	2220
ELLIPSE TENSION 384	3740	2810	3740	2110	3740	2340

SUPER NOVA

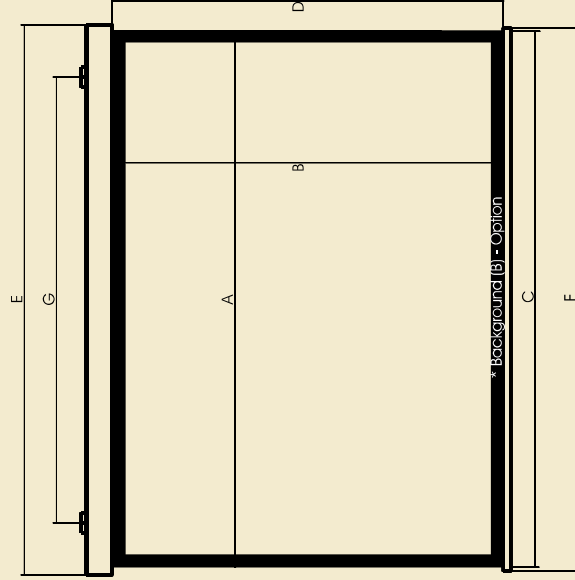
Advantages of the screen: new casing design; selection of LED backlight; best projection surfaces.

Functionality: wide range of types projection surfaces available; stylish aluminium casing*; full customization; installation possible in a window; upper top BB; Somfy drive with 5 years warranty; control options: IR and RF, Trigger, RS232.

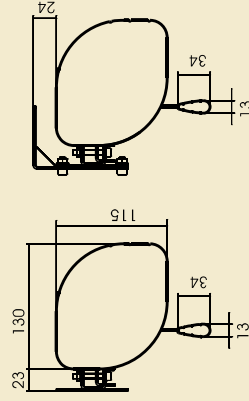


123
Easy Install

Projection screens that, thanks to the latest white (or PIANO according to RAL*) casing design along with the chosen projection surface and full customization, mean that the screen fulfills the highest expectations of customers. Discreet LED* lighting for those who value uniqueness.



*C = A + 100
*D = B + 100
E = C + 60
F = C + 20
G > C - 800 i G < C - 300



Width (cm)	Size (mm)					
	4:3		16:9		16:10	
	C	D	C	D	C	D
SUPER NOVA 180	1 800	1 350	1 800	1 020	1 800	1 130
SUPER NOVA 200	2 000	1 500	2 000	1 130	2 000	1 250
SUPER NOVA 220	2 200	1 650	2 200	1 240	2 200	1 380
SUPER NOVA 240	2 400	1 800	2 400	1 350	2 400	1 500
SUPER NOVA 260	2 600	1 950	2 600	1 470	2 600	1 630
SUPER NOVA 280	2 800	2 100	2 800	1 580	2 800	1 750
SUPER NOVA 300	3 000	2 250	3 000	1 690	3 000	1 880
SUPER NOVA 350	3 500	2 625	3 500	1 970	3 500	2 190
SUPER NOVA 380	3 800	2 850	3 800	2 140	3 800	2 380
SUPER NOVA 400	4 000	3 000	4 000	2 250	4 000	2 500



Screen SUPER NOVA

Casing	aluminium, powder coated RAL
Installation	• ceiling; • wall
P. surfaces:	• Matt White • Matt White D. • Cine Grey • Perforated M. W. • Professional M. W.
Image aspect ratio	• 1,0G • 500g • 150° • 0,5mm • 1,0G • 400g • 150° • 0,35mm • 0,8G • 490g • 170° • 0,5mm • 1,0G • 650g • 150° • 0,5mm • 1,1G • 830g • 150° • 0,7mm
Max. Width of base [cm]	• 4:3 • 16:9 • 16:10 • and more
Control system	600
Back of projection surface	• wall switch • option: IR RF, Trigger 5-30V, Trigger 230V, RS232
Power supply	black (except Perforated M. W.) SOMFY, 230W 50Hz; 42dB
Options	• „B” - Background • „BB” - top black belt • case colours RAL + LED
„B” Background Frame	width - 5cm
Set	• screen; • mounting instruction manual; • wall switch; • assembly kit;
Warranty	5 years (power supply)
Producer	VIZ-ART Automation Europe

SUPER NOVA TENSION

Advantages of the screen: tensioned screen projection surface and new casing design, as well as LED backlight for those who pay attention to detail.

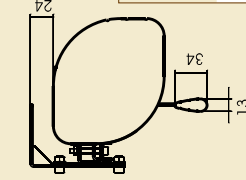
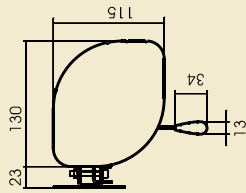
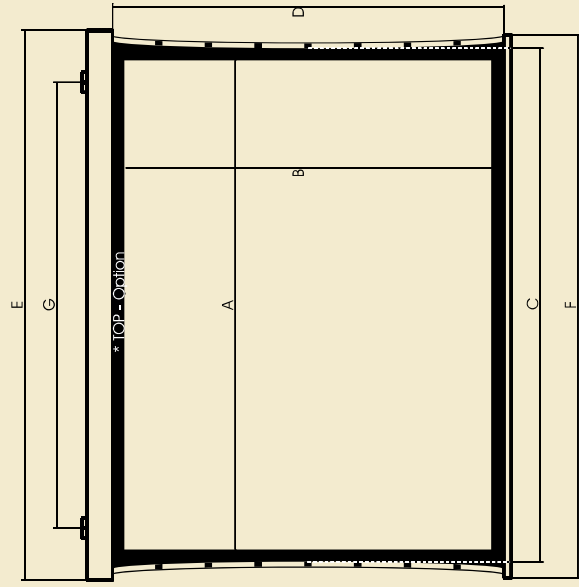
Functionality: tensioned screen projection surface; stylish aluminium casing*; full customization; installation possible in a window; upper top BB; Somfy drive with 5 years warranty; control options: IR and RF, Trigger, RS232.



123
Easy Install



The latest screen design with a Tension system. The white casing (or according to RAL*) and full customization are the features of a dream screen. Soft LED light* for those who set for comfort.



C = A + 100
D = B + 100
E = A + 319
F = A + 290
G > A - 860 and G < A - 360

Width (cm)	Size (mm)					
	4:3		16:9		16:10	
	A	B	A	B	A	B
SUPER NOVA T. 184	1740	1310	1740	980	1740	1090
SUPER NOVA T. 204	1940	1460	1940	1090	1940	1220
SUPER NOVA T. 224	2140	1610	2140	1210	2140	1340
SUPER NOVA T. 244	2340	1760	2340	1320	2340	1470
SUPER NOVA T. 264	2540	1910	2540	1430	2540	1590
SUPER NOVA T. 284	2740	2060	2740	1540	2740	1720
SUPER NOVA T. 304	2940	2210	2940	1660	2940	1840
SUPER NOVA T. 354	3440	2580	3440	1940	3440	2150
SUPER NOVA T. 384	3740	2810	3740	2110	3740	2340
SUPER NOVA T. 404	3940	2960	3940	2220	3940	2470



Screen SUPER NOVA TENSION	
Casing	aluminium, powder coated RAL
Installation	• ceiling; • wall
P. surfaces:	• Matt White • Matt White D. • Cine Grey • Perforated M. W.
Image aspect ratio	• 1,0G • 500g • 150° • 0,5mm • 1,0G • 400g • 150° • 0,35mm • 0,8G • 490g • 170° • 0,5mm • 1,0G • 650g • 150° • 0,5mm
Max. Width of base [cm]	• 4:3 • 16:9 • 16:10 • and more
Control system	600
Back of projection surface	• wall switch • option: IR RF, Trigger 5-30V, Trigger 230V, RS232
Power supply	black (except Perforated M. W.) SOMFY, 230W 50Hz; 42dB
Options	• „B“ - Background • „BB“ - top black belt • case colours RAL + LED
„B“ Background Frame	width - 5cm
Set	• screen; • mounting instruction manual; • wall switch; • assembly kit;
Warranty	5 years (power supply)
Producer	VIZ-ART Automation Europe

MASKED



Advantages of the screen:
a tensioned screen projection surface and the casing design are the most important attributes of a good screen.

Functionality: wide range of types projection surfaces available; every aspect ratio; stylish aluminium casing; full customization; Somfy drive with 5 years warranty; upper top BB; control options: IR, RF remote control, Trigger, RS232.



Screens for installation over a ceiling. Models selected for projects, where the elements of the theatre are to be visible as little as possible. The screen slides out of the ceiling at the time of projection

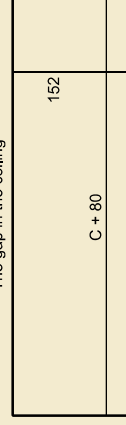
and the casing remains almost imperceptible. Easy installation at each stage of AV room furnishing.

Screen MASKED (in ceiling)

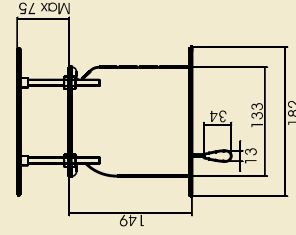
Casing	aluminium, powder coated
Installation	<ul style="list-style-type: none"> inside ceiling
P. surfaces:	<ul style="list-style-type: none"> Matt White Matt White D. Cine Grey Perforated M. W.
Image aspect ratio	<ul style="list-style-type: none"> 4:3 16:9 16:10 and more
Max. Width of base [cm]	650
Control system	<ul style="list-style-type: none"> wall switch option: IR, RF, Trigger 5-30V, Trigger 230V, RS232
Back of projection surface	black (except Perforated M. W.)
Power supply	SOMFY, 230V/ 50Hz; 42dB
Options	<ul style="list-style-type: none"> „B” - Background „BB” - top black belt
Set	<ul style="list-style-type: none"> screen; • mounting instruction manual; • wall switch; • assembly kit;
Warranty	5 years (power supply)
Producer	VIZ-ART Automation Europe



The gap in the ceiling

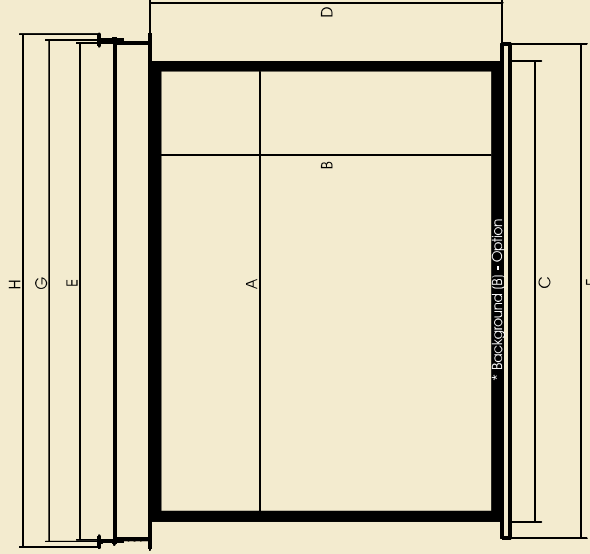


Width (cm)	Size (mm)					
	4:3			16:9		
	C	D	C	D	C	D
MASKED 200	2000	1500	2000	1130	2000	1250
MASKED 220	2200	1650	2200	1240	2200	1380
MASKED 240	2400	1800	2400	1350	2400	1500
MASKED 260	2600	1950	2600	1470	2600	1630
MASKED 280	2800	2100	2800	1580	2800	1750
MASKED 300	3000	2250	3000	1690	3000	1880
MASKED 350	3500	2630	3500	1970	3500	2190
MASKED 380	3800	2850	3800	2140	3800	2380



- *C = A + 100
- *D = B + 100
- E = C + 59
- F = C + 20
- G = C + 83
- H = C + 135

The gap in the ceiling:
152 x C + 80



MASKED TENSION

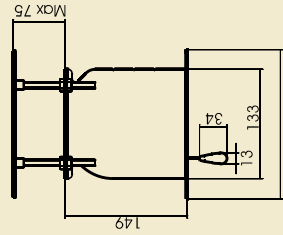
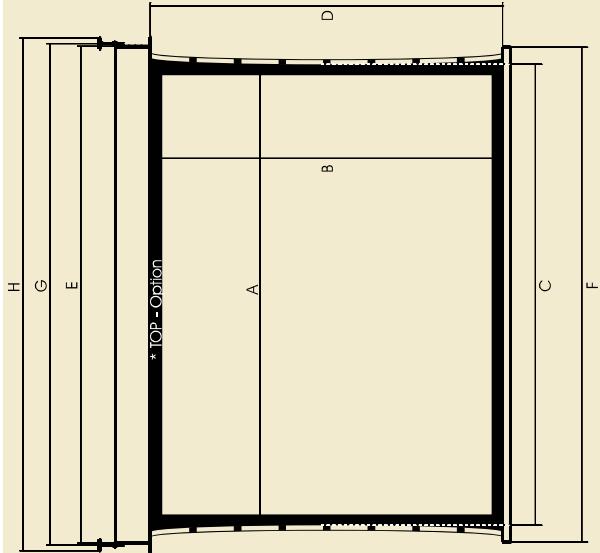


Advantages of the screen:
a tensioned screen projection surface and the casing design are the most important attributes of a good screen.

Functionality: a tensioned screen projection surface; every aspect ratio; white powder painting; full customization; Somfy drive with 5 years warranty; BB upper top; control options: IR remote control, RF, Trigger, RS232.

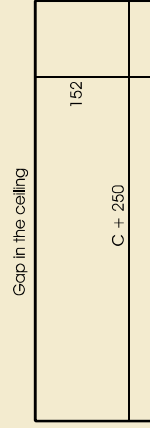
The highest line of screens for installation over a ceiling with a perfectly tensioned projection surface. Models used in interiors, where the elements that are part of the

theatre are to be almost invisible. At the time of projection the screen slides out from the ceiling and the casing remains almost imperceptible.



- C = A + 100
- D = B + 100
- E = A + 314
- F = A + 280
- G = A + 339
- H = A + 390

The gap in the ceiling:
152 x C + 250



Width (cm)	Size (mm)					
	4:3		16:9		16:10	
	A	B	A	B	A	B
MASKED TENSION 184	1740	1310	1740	980	1740	1090
MASKED TENSION 204	1940	1460	1940	1100	1940	1220
MASKED TENSION 224	2140	1610	2140	1210	2140	1340
MASKED TENSION 264	2540	1910	2540	1430	2540	1590
MASKED TENSION 284	2740	2060	2740	1550	2740	1720
MASKED TENSION 334	3240	2430	3240	1830	3240	2030
MASKED TENSION 364	3540	2660	3540	2000	3540	2220



Screen MASKED TENSION (in ceiling)

Casing	aluminium, powder coated
Installation	<ul style="list-style-type: none"> • inside ceiling
P. surfaces:	<ul style="list-style-type: none"> • Matt White • Matt White D. • Cine Grey
Image aspect ratio	<ul style="list-style-type: none"> • 4:3 • 16:9 • 16:10 • and more
Max. Width of base [cm]	650
Control system	<ul style="list-style-type: none"> • wall switch • option: IR RF, Trigger 5-30V, Trigger 230V, RS232
Back of projection surface	black
Power supply	SOMFY, 230V 50Hz; 42dB
Options	<ul style="list-style-type: none"> • „B” - Background • „BB” - top black belt
Set	<ul style="list-style-type: none"> • screen; • mounting instruction manual; • wall switch; • assembly kit;
Warranty	5 years (power supply)
Producer	VIZ-ART Automation Europe

FLOOR UP SCREEN

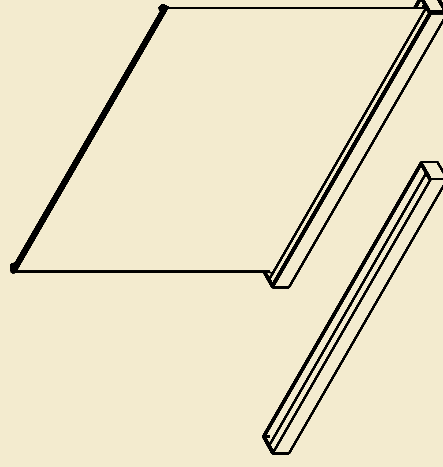
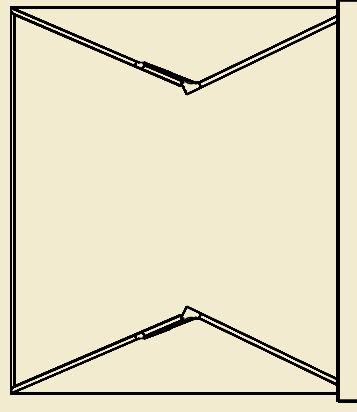
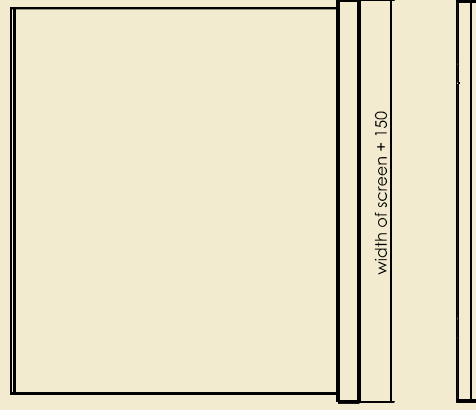
Advantages of the screen: tensioned projection surface and unique in the application in any location (a living room, a garden).

Functionality: mechanical tensioners; any format; set on the floor; Somfy drive with a 5 year warranty; control options: IR and RF, RS232, Trigger.



Electric floor screen with mechanical tensioning system. It slides out the surface from the case of the screen set on the floor.

The perfect solution for occasional projections in different locations.



FLOOR UP SCREEN

Max. Width of base [cm]	350
Capacity [kg]	25
Own weight [kg]	8 - 12
Remote control	<ul style="list-style-type: none"> • wall switch • option: IR RF, Trigger 5-30V, Trigger 230V, RS232
Producer	VIZ-ART Automation Europe

BUSINESS PLUS

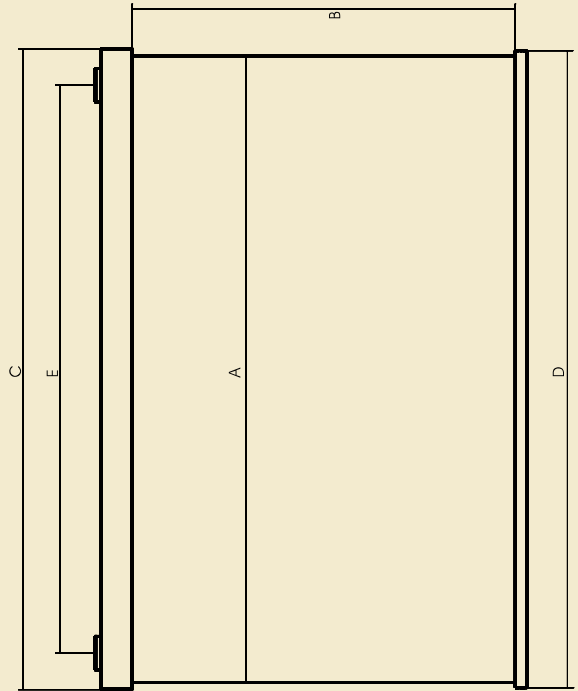
Advantages of the screen: reliable workmanship and original design of the screen is recommended for schools and conference rooms.

Functionality: projection aspect ratio selection; pure casing style - white aluminium; easy to install; high quality; competitive price; control options: IR, RF remote control, Trigger, RS232.

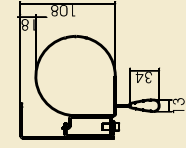
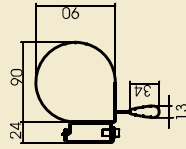


BUSINESS is a line of motorized screens developed for economic AV installations. An aluminium white case in the shape

of a water droplet makes the screen look light, elegant and representative. Aspect ratios: 4:3, 16:9, 16:10 and more.



C = A + 40
 D = A + 20
 E = A - 170



Width (cm)	Size (mm)									
	4:3		16:9				16:10			
	A	B	A	B	A	B	A	B	A	B
BUSINESS Plus 180	1800	1350	1800	1020	1800	1130	1800	1130	1800	1130
BUSINESS Plus 200	2000	1500	2000	1130	2000	1250	2000	1250	2000	1250
BUSINESS Plus 220	2200	1650	2200	1240	2200	1380	2200	1380	2200	1380
BUSINESS Plus 240	2400	1800	2400	1350	2400	1500	2400	1500	2400	1500
BUSINESS Plus 260	2600	1950	2600	1470	2600	1630	2600	1630	2600	1630
BUSINESS Plus 280	2800	2100	2800	1580	2800	1750	2800	1750	2800	1750
BUSINESS Plus 300	3000	2250	3000	1690	3000	1880	3000	1880	3000	1880



Screen BUSINESS Plus

Casing	aluminium, white matt,
Case profile	drop shape (W 9 cm x H 9 cm)
Installation	• ceiling; • wall
P. surfaces:	• 1,0G • 450g • 150° • 0,32mm • 2,6G • 450g • 100° • 0,5mm
Image aspect ratio	• 4:3 • 16:9 • 16:10 • and more
Max. Width of base [cm]	300
Control system	• wall switch • option: IR, RF, Trigger 5-30V, Trigger 230V, RS232
Back of projection surface	white
Power supply	230V 50Hz; 44dB
Set	• screen; • mounting instruction manual; • wall switch; • assembly kit;
Warranty	2 years (power supply)
Producer	VIZ-ART Automation Europe

FRAME

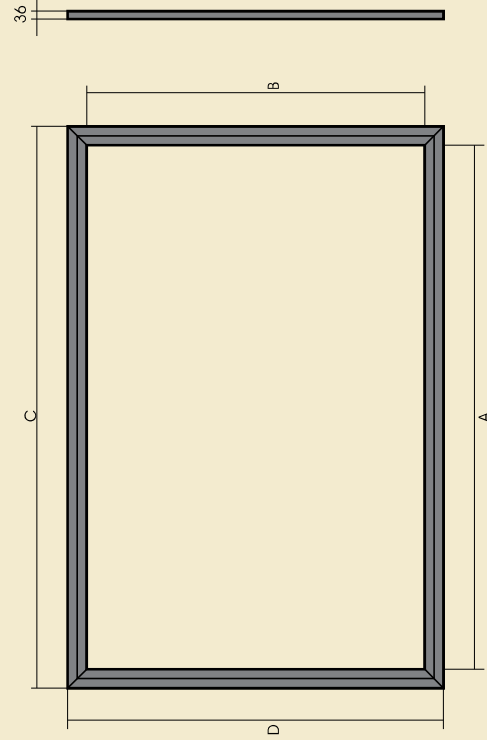
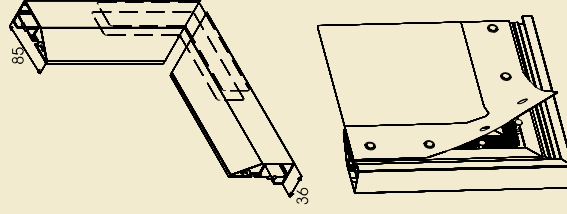
Advantages of the screen: tensioned projection surface and unique design of the frame in classic or Velvet finish.

Functionality: any aspect ratio made on request; customization; choice of projection surfaces; frames in the Classic or Velvet standards; easy installation; stability and durability.



Elegant frame screens for fixed AV installations in professional Home Theatres. Available in any aspect ratio and in a Velvet or Classic

frame. Chosen by demanding users for elegant interiors.



Width (mm)	4:3				16:9			
	A	B	C	D	A	B	C	D
FRAME 180	1800	1350	1970	1520	1800	1013	1970	1183
FRAME 200	2000	1500	2170	1670	2000	1125	2170	1295
FRAME 240	2400	1800	2570	1970	2400	1350	2570	1520
FRAME 260	2600	1950	2770	2120	2600	1463	2770	1633
FRAME 280	2800	2100	2970	2270	2800	1575	2970	1745
FRAME 300	3000	2250	3170	2420	3000	1688	3170	1858
FRAME 350	3500	2625	3670	2795	3500	1969	3670	2139
FRAME 380	3800	2850	3970	3020	3800	2138	3970	2308
FRAME 400	4000	3000	4170	3170	4000	2250	4170	2420

Screen FRAME

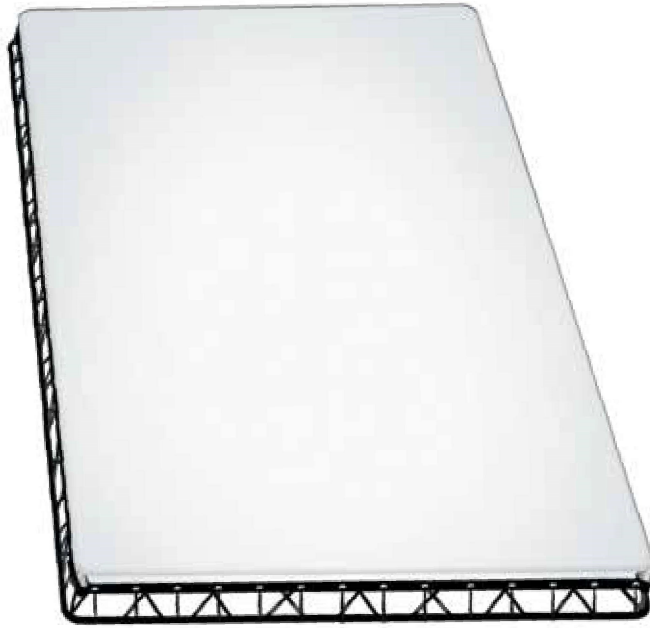
Frame	aluminium (tension of surface system)
Frame colour	• black powder coated • black velvet
Installation	• wall
P. surfaces:	• Matt White • Dual Grey • Perforated MW
Image aspect ratio	• 4:3 • 16:9 • 16:10 • and more
Max. Width of base [cm]	600
Set	• elements of frame; • surface; • mounting instruction manual; • assembly kit; • montage elements
Warranty	2 years
Producer	VIZ-ART Automation Europe

MAXFRAME

Advantages of the screen:

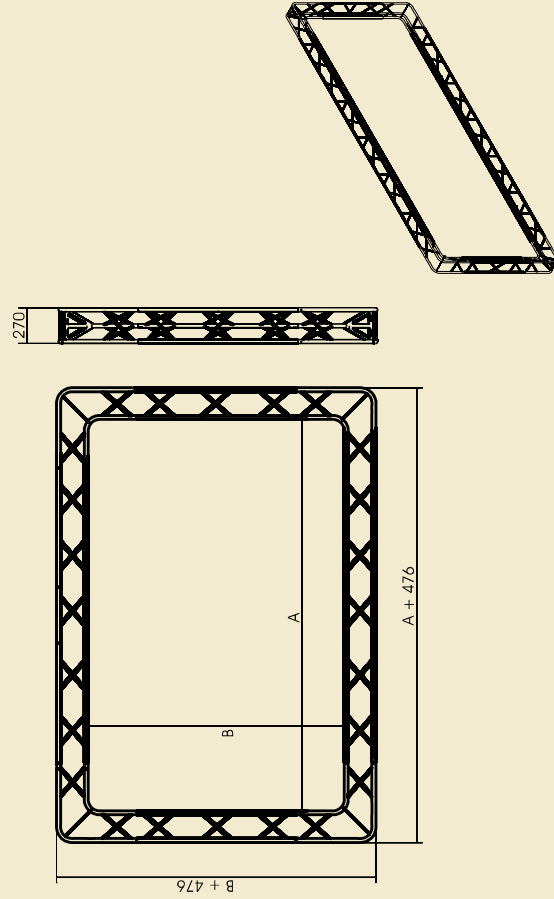
the range of surfaces; produced on individual size and ratio requirements, convenience in transport and set-up; for outdoor and indoor usage.

Functionality: every size, proportion and RAL colour; easy set-up; stability and durability.



Large format frame screens with tensioned projection surface. Steel frame structure assembled of modules, easy to set

up and transport. Frame's construction ensures stability of even large screens (up to 11 meters).



Width (mm)	4:3				16:9			
	A	B	C	D	A	B	C	D
MAXFRAME 400	4000	3000	4476	3476	4000	2250	4476	2726
MAXFRAME 450	4500	3375	4976	3851	4500	2531	4976	3007
MAXFRAME 500	5000	3750	5476	4226	5000	2813	5476	3289
MAXFRAME 550	5500	4125	5976	4601	5500	3094	5976	3570
MAXFRAME 600	6000	4500	6476	4976	6000	3375	6476	3851
MAXFRAME 650	-	-	-	-	6500	3656	6976	4132
MAXFRAME 700	-	-	-	-	7000	3938	7476	4414
MAXFRAME 750	-	-	-	-	7500	4219	7976	4695
MAXFRAME 800	-	-	-	-	8000	4500	8476	4976
MAXFRAME 850	-	-	-	-	8500	4781	8976	5257



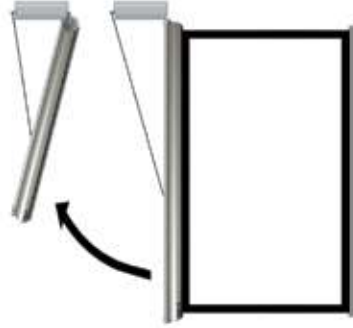
Screen MAXFRAME

Frame	Steel
Installation	<ul style="list-style-type: none"> wall
Projection surfaces:	<ul style="list-style-type: none"> 1,0G • to 850g • 150° • 0,7mm
Image aspect ratio	<ul style="list-style-type: none"> 4:3 16:9 16:10 and more
Max. Width of base [cm] - surfaces without welds	<ul style="list-style-type: none"> 4:3 (650) 16:9 (850)
Set	<ul style="list-style-type: none"> elements of frame; • surface; mounting instruction manual; • assembly kit; montage elements
Warranty	2 years
Producer	VIZ-ART Automation Europe

SCREEN-LIFT

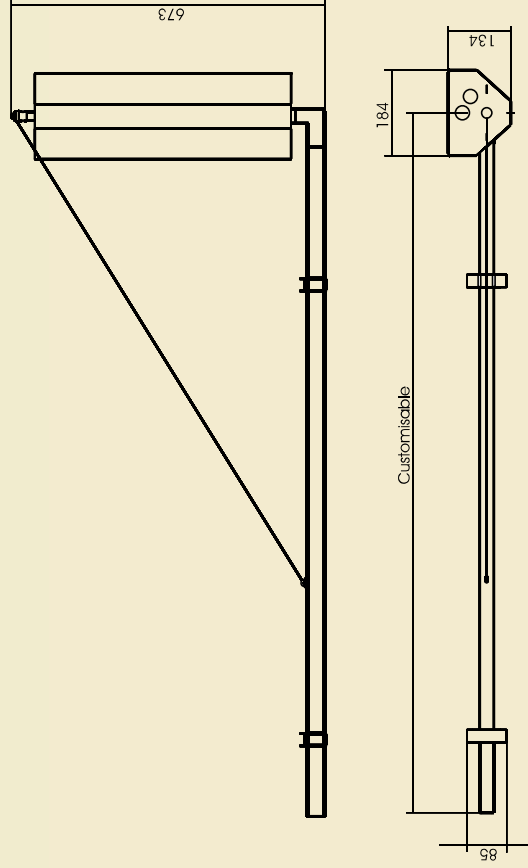
Advantages: tilts a screen with a width from 160 cm to 350 cm, exposing the presbytery at the end of the projection. Introduces AV technology to the interior of a church and historic interiors.

Functionality: quiet operation; adjustable settings; easy operation; solid construction; stable for screens between 160 - 350 cm; 230V power supply; control options - IR, RF remote control, Trigger, RS232.



System for tilting a projection screen in the direction of a wall that is often used in churches. After a text is shown on the screen, it is rolled up and reveals

the presbytery, preserving space. Received an award for innovation at the Sacro Expo Fair.



Available models: • SCREEN-LIFT

SCREEN-LIFT	
Max. width of base [cm]	350
Capacity [kg]	25
Own weight [kg]	8 - 12
Installation	wall
Control system	<ul style="list-style-type: none"> • wall switch • option: IR RF, Trigger 5-30V, SOMFY, 230V 50Hz; 180W; 42dB thermal and overload protection,
Power supply	
Security	
Set	<ul style="list-style-type: none"> • lift; • mounting instruction manual; • wall switch; • assembly kit;
Warranty	5 years (power supply)
Producer	VIZ-ART Automation Europe

UP-SCREEN



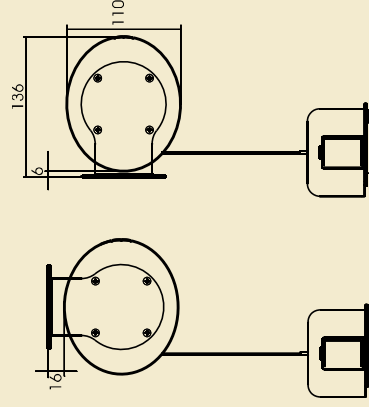
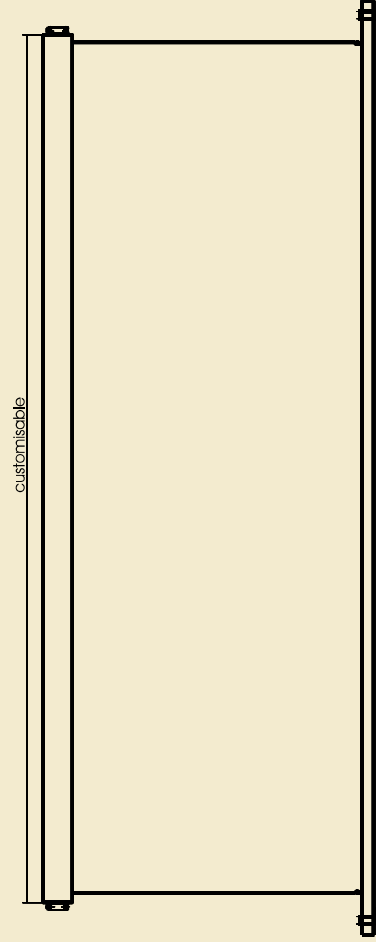
Advantages of the screen:
It lowers the screen to the projection position even in the highest interiors. Automatic automatic powercord winder and a SOMFY engine guarantee long-lasting and stable functioning.

Functionality: Adjustable lowering range; width - customizable according to requirements full personalization, elliptic aluminium housing, SOMFY engine with 5-year warranty. Control: remote control IR, RF, Trigger and RS232.



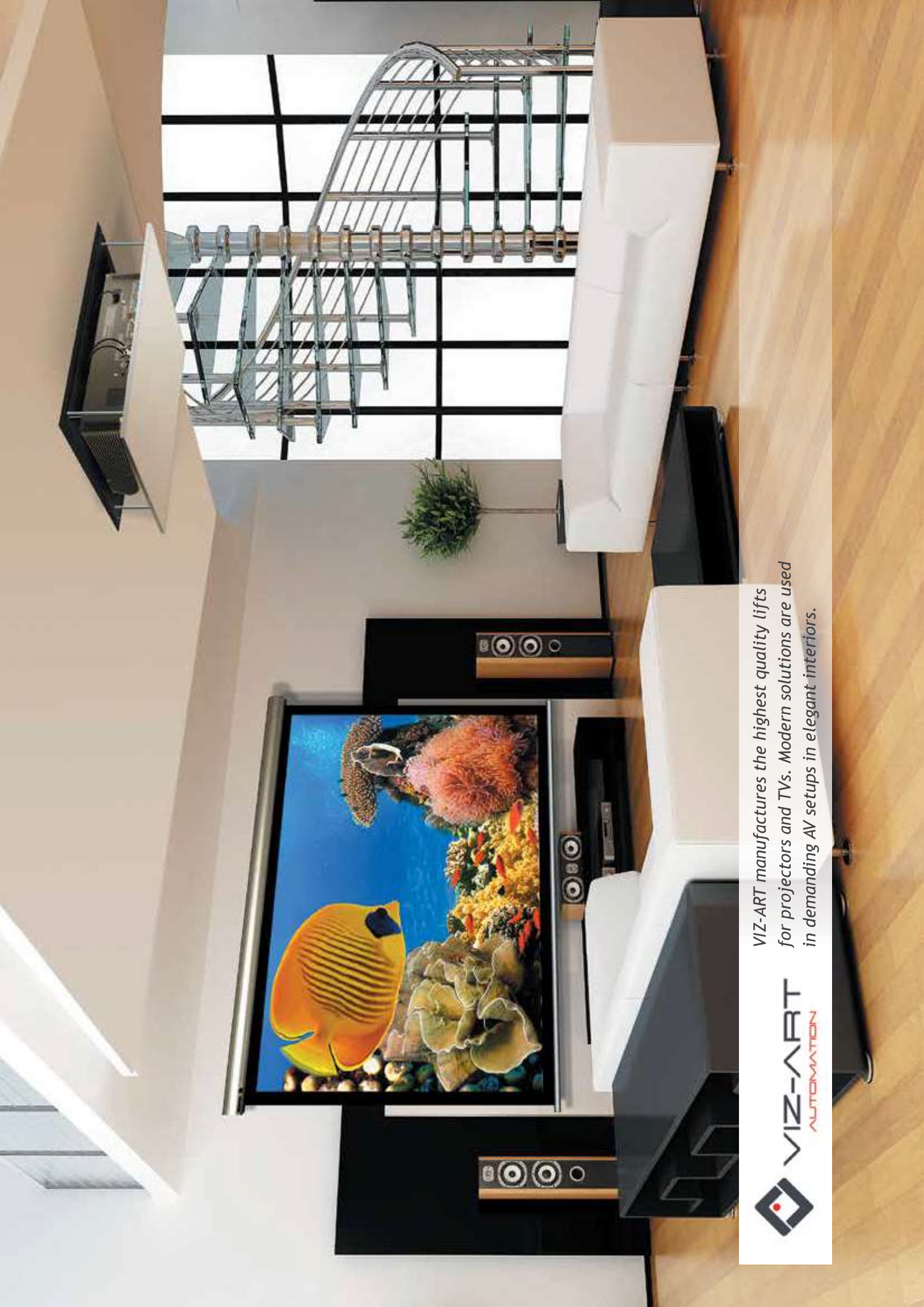
Lifts are able to lower projection screens to the level where they can be used even in

very high interiors. A screen is lowered during its usage.



UP-SCREEN

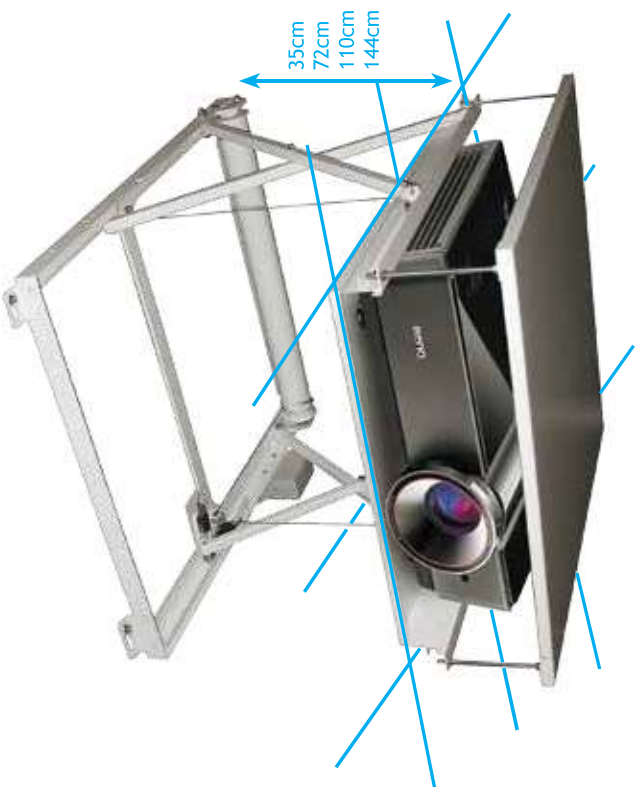
Casing	aluminium, silver, elliptical shape (option: others)
Case profile	ellipse (W 13 cm x H 11 cm)
Installation	• ceiling; • wall
Max. Width of base [cm]	650
Power cable winder	automatic
Extension [mm]	adjustable
Capacity [kg]	customisable
Control system	• wall switch • option: IR, RF, Trigger 5-30V, Trigger 230V, RS232
Power supply	SOMFY, 230V 50Hz; 42dB
Set	• power cable winder (automatic); • mounting instruction manual; • wall switch; • assembly kit;
Warranty	5 years (power supply)
Producer	VIZ-ART Automation Europe



VIZ-ART manufactures the highest quality lifts for projectors and TVs. Modern solutions are used in demanding AV setups in elegant interiors.



SIMPLE Slim



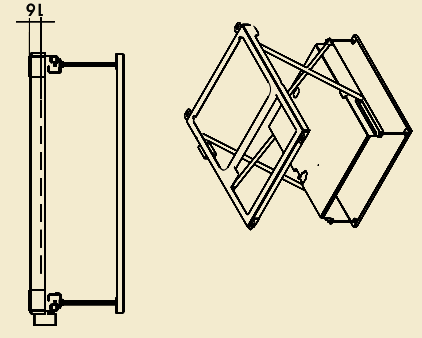
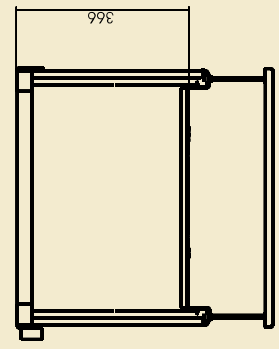
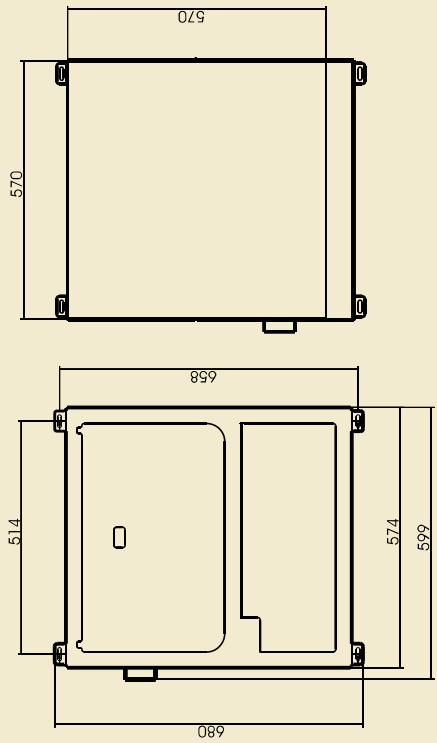
Advantages of the lift: the minimum height of the lift allows the projector to be installed together with the lift in an 8 cm space above the ceiling.

Functionality: elegance and free space in the interior; ease of use; accurate positioning and settings; adjustable limit switches; Somfy drive; control options: IR and RF remote control, Trigger and RS232.



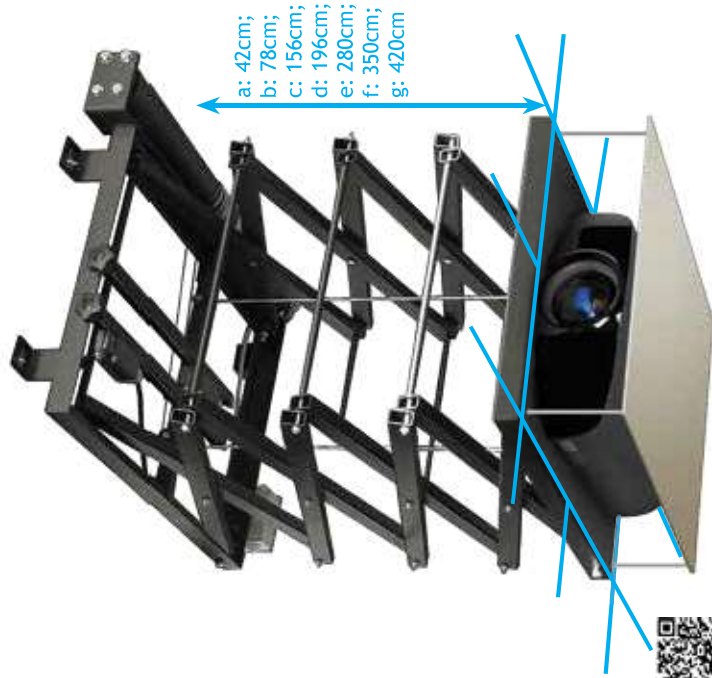
Ceiling lift for projectors with an exceptionally a small height - only 1.6 cm when closed. Chosen for many AV setups in conference rooms. The projector simply descends from the ceiling for the presentation time.

- Available models:
- SIMPLE Slim 15/350 (a);
 - SIMPLE Slim 15/720 (b);
 - SIMPLE Slim 15/1100 (c);
 - SIMPLE Slim 15/1440 (d);



SIMPLE Slim: a: 15/350; b: 15/720; c:15,1100; d: 1440	
Extension [mm]	a: 350; b: 720; c:1100; d: 1440
Capacity [kg]	15
Dimensions [mm]	D 680; W 608
Installation space [mm]	H projector + a: 16; b: 34 c: 52; d: 69
Max dimensions of projector [mm]	W - 460; D - optimal 536; H - without limit
Mounting hole in the ceiling[mm]	575x575
Remote control	• wall switch • option: IR, RF, Trigger, RS232
Continuous functioning of the engine	4 minutes
Installation	4 points of stability
Power supply	SOMFY, 230V 50Hz; 90W; 42dB
Security	• thermal and overload protection, • safety brake
Set	• lift; • adapter; • ceiling mounting panel (frame); • mounting template; • mounting instruction manual; • wall switch; • assembly kit;
Warranty	5 years (power supply)
Producer	VIZ-ART Automation Europe

SPAV 30



- a: 42cm;
- b: 78cm;
- c: 156cm;
- d: 196cm;
- e: 280cm;
- f: 350cm;
- g: 420cm

Advantages of the lift: capacity for a projector weight up to 30 kg and a range of movement from 42 cm to 420 cm. It makes possible to choose the best lift model for any important AV project.

Functionality: reliable construction; mechanical limit switches; precision; low noise; Somfy drive; control options: IR and RF remote control, Trigger and RS232.



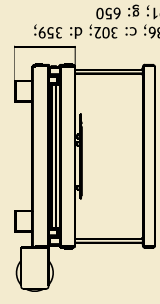
Professional and most popular models of projector lifts. A stable lift construction and precision allows SPAV to be installed, when intensive usage is a must (halls, hotels and museums).



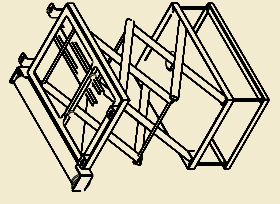
SPAV 30

Extension [mm]	a: 420; b: 780; c: 1560; d: 1960; e: 2800; f: 3500; g: 4200
Capacity [kg]	30
Own weight [kg]	a: 26; b: 29; c: 35; d: 38; e: 44; f: 50; g: 53

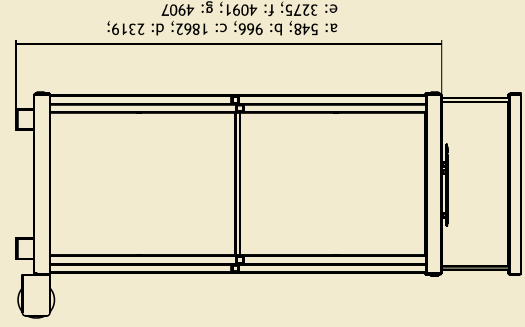
Dimensions [mm]	D 630; W 527
Installation space [mm] (without projector)	a: 128; b: 186; c: 302; d: 359; e: 475; f: 591; g: 650
Max dimensions of projector [mm]	W - 360; D - 520; H - without limit
Mounting hole in the ceiling [mm]	565x565
Remote control	• wall switch • option: IR, RF, Trigger, RS232
Continuous functioning of the engine	4 minutes
Installation	4 points of stability
Power supply	SOMFY, 230V 50Hz; 100W; 42dB
Security	• thermal and overload protection, • safety brake
Set	• lift; • adapter; • ceiling closing panel (frame); • mounting template; • mounting instruction manual; • wall switch; • assembly kit;
Warranty	5 years (power supply)
Producer	VIZ-ART Automation Europe



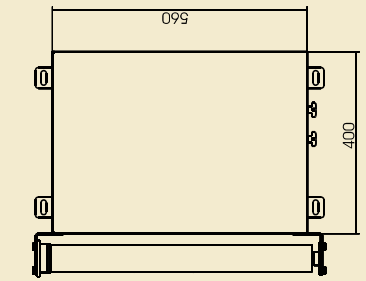
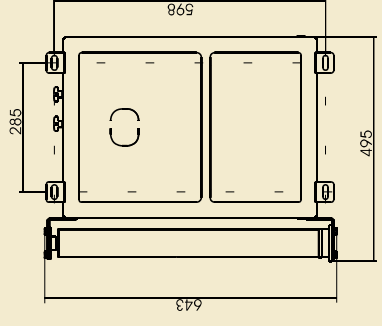
- a: 128; b: 186; c: 302; d: 359; e: 475; f: 591; g: 650



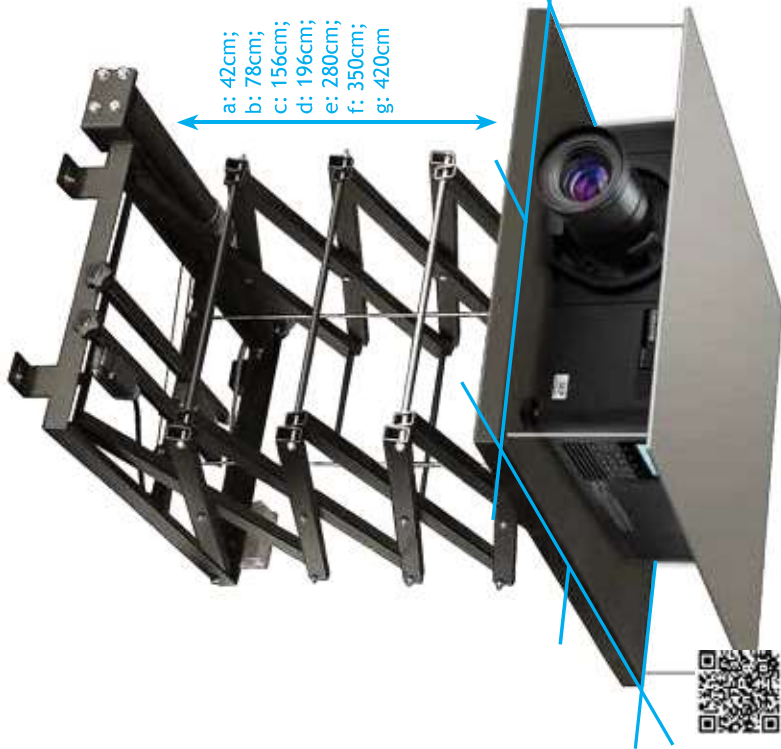
- Available models:
- SPAV 30/420 (a);
 - SPAV 30/780 (b);
 - SPAV 30/1560 (c);
 - SPAV 30/1960 (d);
 - SPAV 30/2800 (e);
 - SPAV 30/3500 (f);
 - SPAV 30/4200 (g)



- a: 548; b: 966; c: 1862; d: 2319; e: 3275; f: 4091; g: 4907



SPAVMAX 60



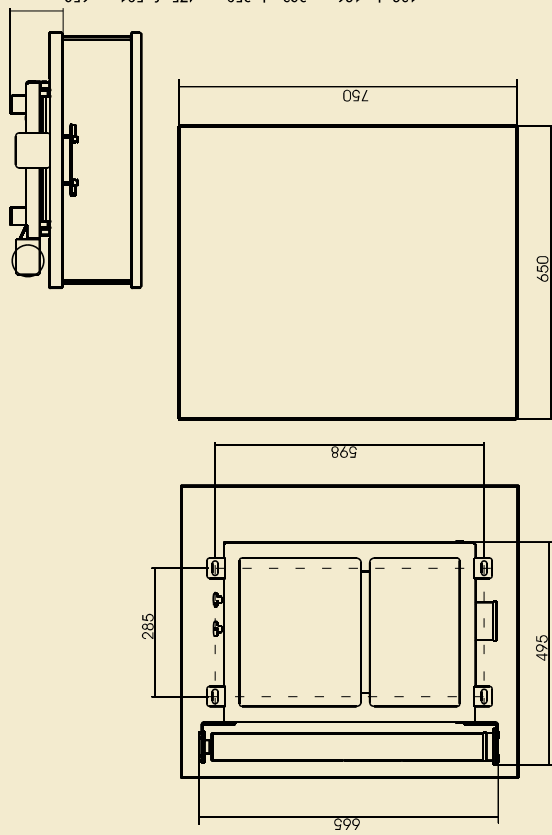
a: 42cm;
b: 78cm;
c: 156cm;
d: 196cm;
e: 280cm;
f: 350cm;
g: 420cm

Advantages of the lift: capacity for a projector weight up to 60 kg and a range of movement from 42 cm to 4200 cm. It makes possible to choose the best lift model for the most crucial AV project.

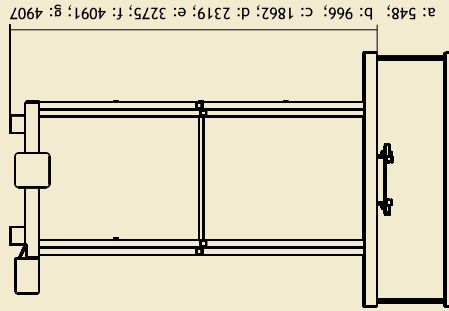
Functionality: reliability; robust design; mechanical limit switches; Somfy drive; control options: IR and RF remote control, Trigger and RS232.



Lifts designed and dedicated to large projectors and professional AV installations. Famous, thanks to their robustness and reliability. Recommended for entertainment venues and Audio Video setups.

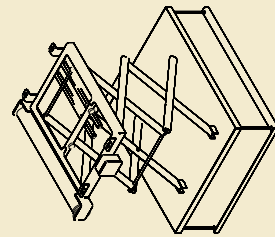


a: 128; b: 186; c: 302; d: 359; e: 475; f: 591; g: 650



a: 548; b: 966; c: 1862; d: 2319; e: 3275; f: 4091; g: 4907

- Available models:
- SPAVMAX 60/420 (a);
 - SPAVMAX 60/780 (b);
 - SPAVMAX 60/1560 (c);
 - SPAVMAX 60/1960 (d);
 - SPAVMAX 60/2800 (e);
 - SPAVMAX 60/3500 (f);
 - SPAVMAX 60/4200 (g)



SPAVMAX	
Extension [mm]	a: 420; b: 780; c: 1560; d: 1960; e: 2800; f: 3500; g: 4200
Capacity [kg]	60
Own weight [kg]	a: 31; b: 34; c: 40; d: 43; e: 49; f: 55; g: 61
Dimensions [mm]	D 658; W 527
Installation space [mm] (without projector)	a: 128; b: 186; c: 302; d: 359; e: 475; f: 591; g: 650
Max dimensions of projector [mm]	W - 610; D - 680; H - without limit
Mounting hole in the ceiling [mm]	755x655
Remote control	• wall switch • option: IR, RF, Trigger, RS232
Continuous functioning of the engine	4 minutes
Installation	4 points of stability
Power supply	SOMFY, 230V 50Hz; 100W; 42dB
Security	• thermal and overload protection, • safety brake
Set	• lift; • adapter; • ceiling closing panel (frame); mounting template; • mounting instruction manual; • wall switch; • assembly kit;
Warranty	5 years (power supply)
Producer	VIZ-ART Automation Europe

MAX-LIFT

Advantages of the lift: durability and the highest precision; dedicated for professional projection and highest standard AV set-ups; recommended for prestigious locations.

Functionality: the high quality of workmanship; precise settings; Somfy drive with a 5 year warranty; control options: IR and RF, RS232 Trigger.



a: 450cm;
b: 650cm



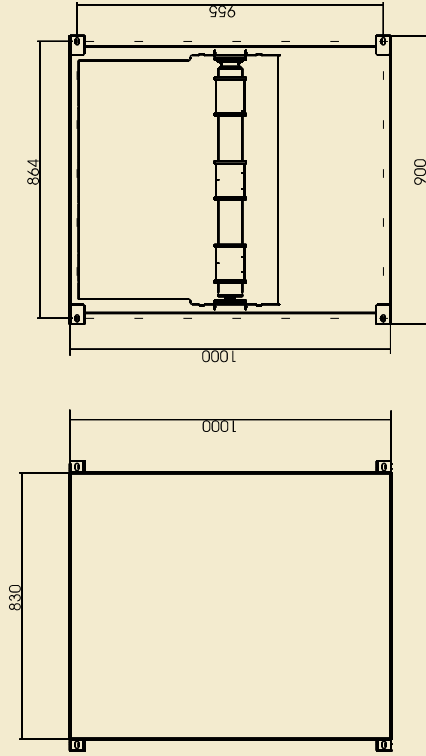
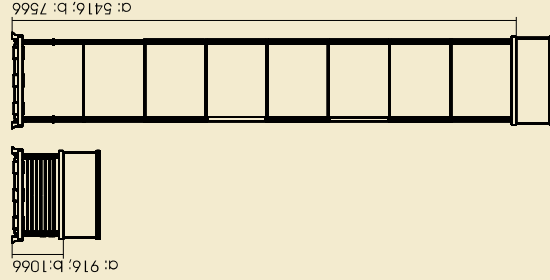
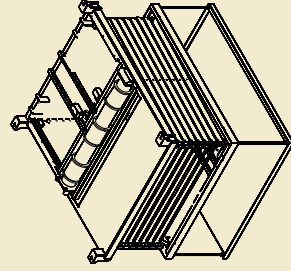
Lift for commercial set-ups with installation projectors (weight up to 130kg). The lift slides out the projector to the desired position and users' convenience. MAXLIFT is perfect for hotels, conference rooms, and cinemas.

MAX-LIFT

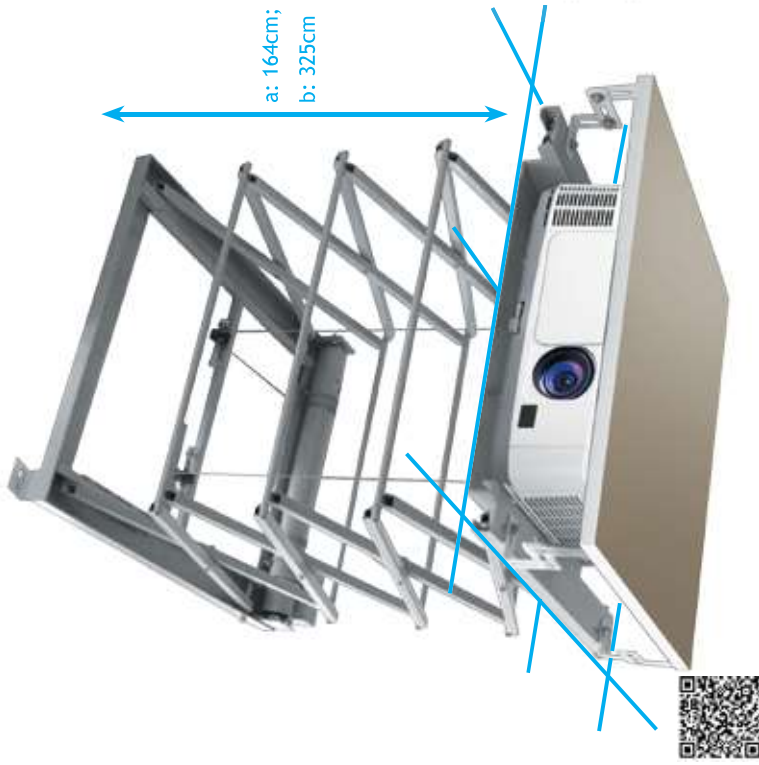
Extension [mm]	a: 4500; b: 6500
Capacity [kg]	130
Own weight [kg]	a: 122; b: 140
Dimensions [mm]	D 998; W 900
Installation space [mm]	a: 916; b: 1066 + H projector
Max dimensions of projector [mm]	W - 995; D - 784; H - without limit
Mounting hole in the ceiling [mm]	1000x830
Remote control	• wall switch • option: IR, RF, Trigger, RS232
Continuous functioning of the engine	4 minutes
Installation	4 points of stability
Power supply	SOMFY, 230V 50Hz; 120W
Security	• thermal and overload protection, • safety brake
Set	• lift; • adapter; • ceiling closing panel (frame); • mounting template; • mounting instruction manual; • wall switch; • assembly kit;
Warranty	5 years (power supply)
Producer	VIZ-ART Automation Europe

Available models:

- MAX-LIFT 130/4500 (a);
- MAX-LIFT 130/6500 (b);



SLIM LIFT



Advantages of the lift: easy programming via RS232 and highest repeatability of positions.

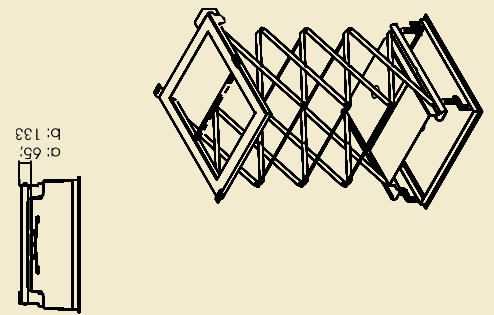
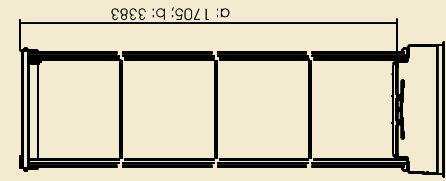
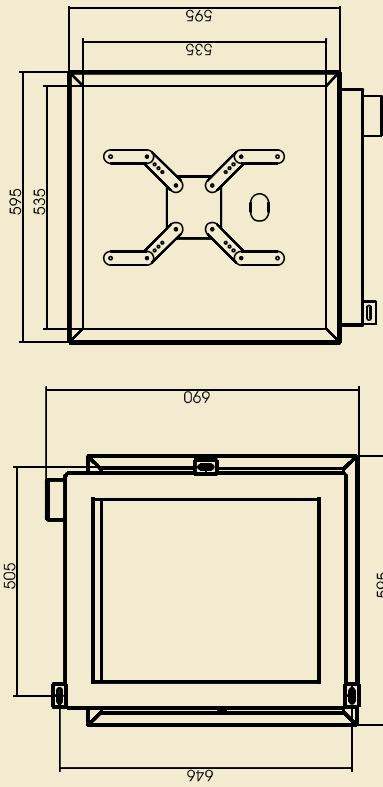
Functionality: comfortable use; accurate positioning and precise operations; quiet operation; programmable positions; Somfy drive with a 5-year warranty; control options: IR and RF, Trigger and RS232.

a: 164cm;
b: 325cm



Supreme and highly comfortable to use lifts, excellent for each projector model. Easy for projector installation in a small space above the ceiling. Comfort of use, quiet operation, wireless control*, RS232 - all these are important features of perfection.

Available models: • SLIM-LIFT 12/1640 (a);
• SLIM-LIFT 10/3250 (b);

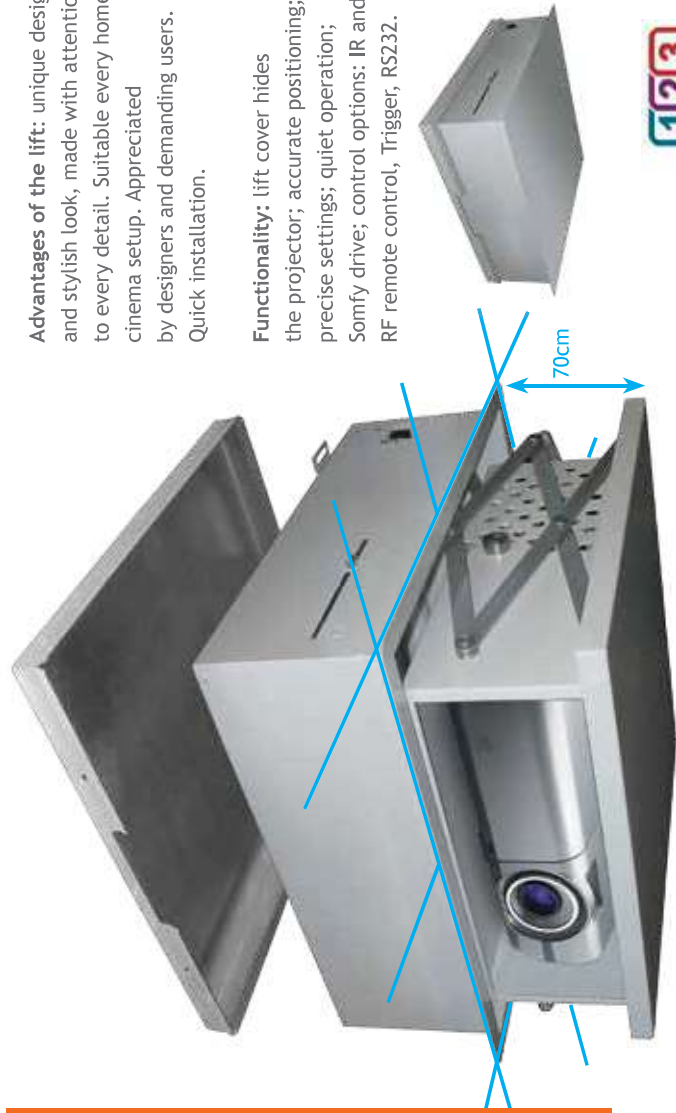


SLIM-LIFT	
Extension [mm]	a: 1640; b: 3250
Capacity [kg]	a: 12; b: 10
Own weight [kg]	a: 24; b: 30
Dimensions [mm]	D 676; W 548
Installation space [mm]	a: 65 + H projector; b: 133 + H projector
Max dimensions of projector [mm]	W - 390; D - 470; H - 170
Mounting hole in the ceiling [mm]	580x580
Remote control	• wall switch, RS232 • option: IR, RF, Trigger,
Continuous functioning of the engine	4 minutes
Installation	3 points of stability
Power supply	SOMFY, 230V 50Hz; 90W; 42dB
Security	• thermal and overload protection, • safety brake
Set	• lift; • adapter; • ceiling closing panel (frame); mounting template; • mounting instruction manual; • wall switch; • assembly kit;
Warranty	5 years (power supply)
Producer	VIZ-ART Automation Europe

CINE-LIFT

Advantages of the lift: unique design and stylish look, made with attention to every detail. Suitable every home cinema setup. Appreciated by designers and demanding users. Quick installation.

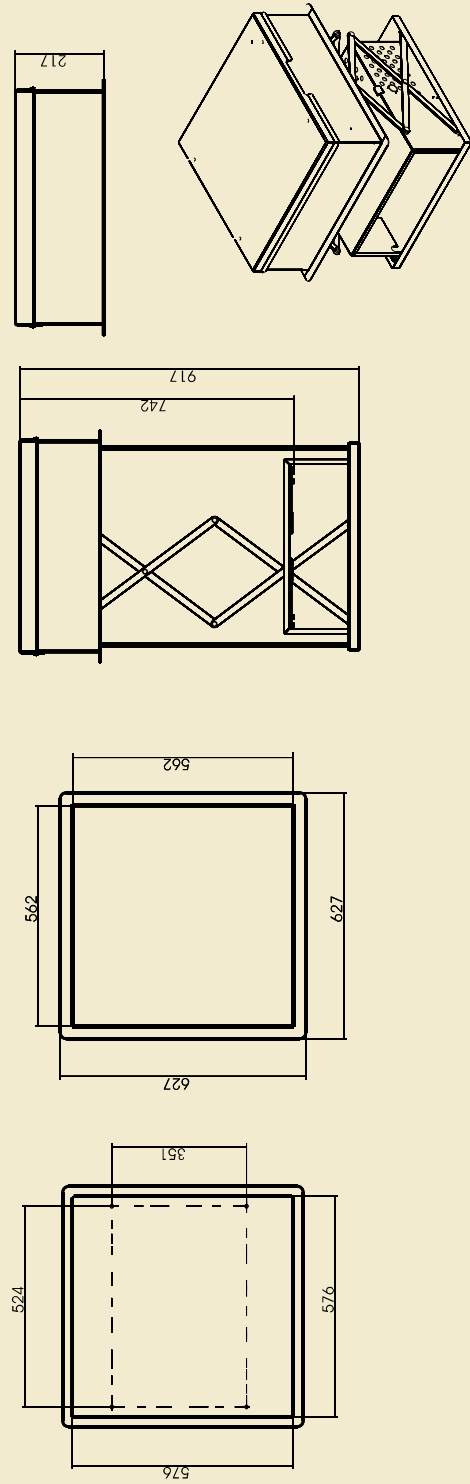
Functionality: lift cover hides the projector; accurate positioning; precise settings; quiet operation; Somfy drive; control options: IR and RF remote control, Trigger, RS232.



Newest ceiling mounted projector lift design. Ideal for use in the most elegant home theatre interiors. The interesting lift casing allows for

extremely easy installation, while the projector is protected and only slightly visible.

Available models: • CINE-LIFT 8 / 700



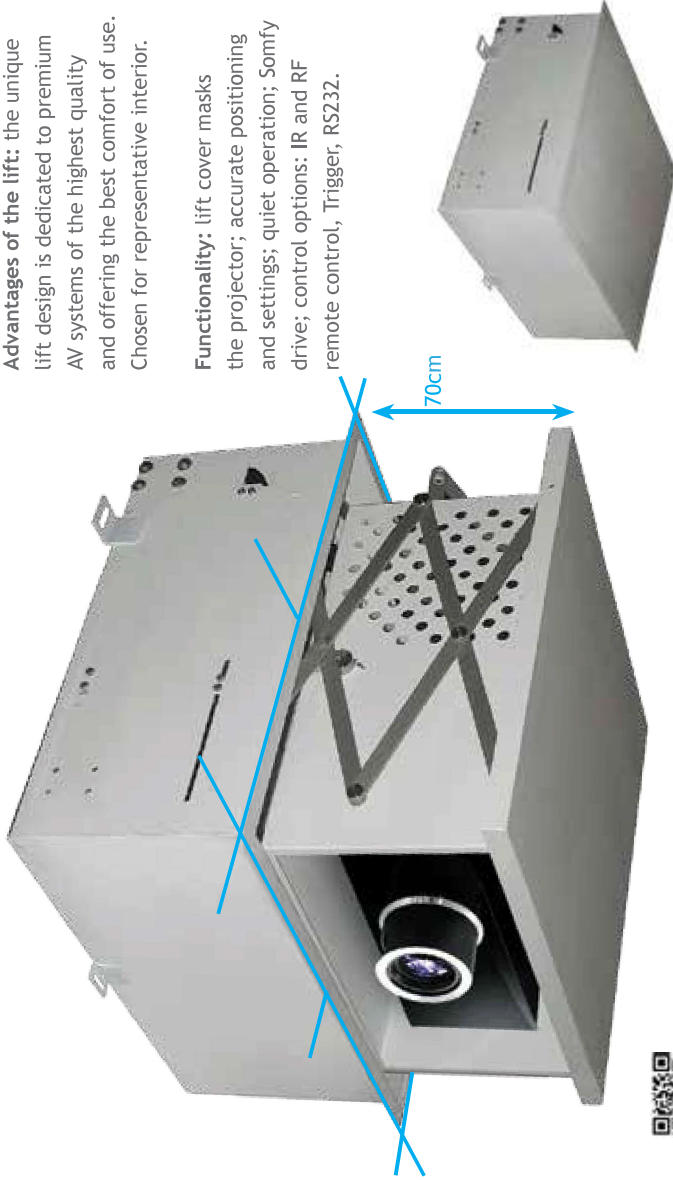
CINE-LIFT

Extension [mm]	700
Capacity [kg]	8
Own weight [kg]	27
Dimensions [mm]	D 627; W 627
Installation space [mm]	217
Max dimensions of projector [mm]	W - 445 D - 470 H - 160
Mounting hole in the ceiling [mm]	590x590
Remote control	• wall switch • option: IR, RF, Trigger, RS232
Power supply	SOMFY, 230V 50Hz, 95W
Security	• thermal and overload protection,
Set	• lift; • assembly kit; • wall switch; • mounting instruction manual;
Warranty	5 years (power supply)
Producer	VIZ-ART Automation Europe

CINEMAX-LIFT

Advantages of the lift: the unique lift design is dedicated to premium AV systems of the highest quality and offering the best comfort of use. Chosen for representative interior.

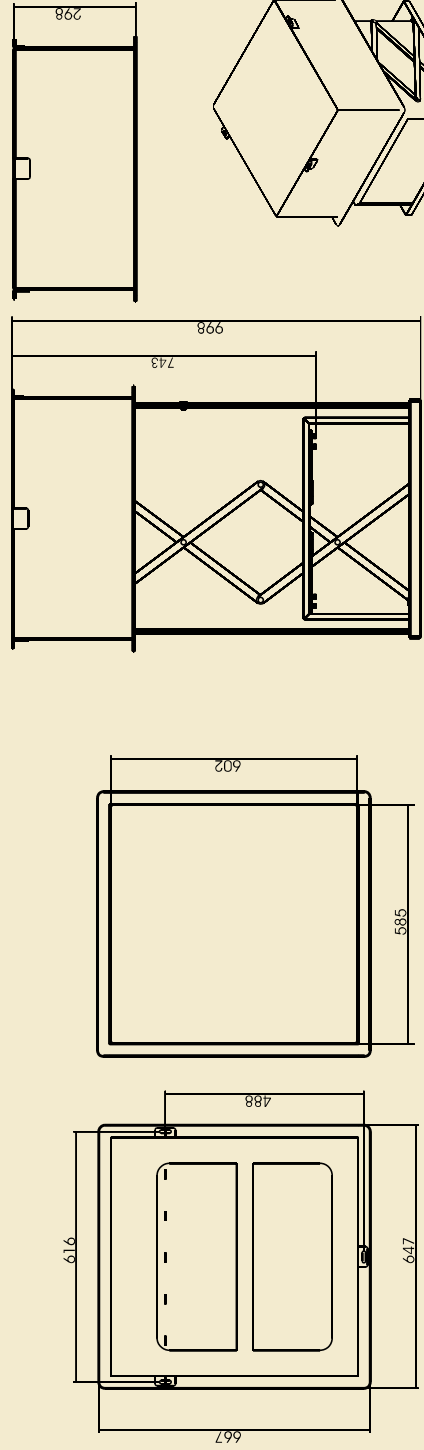
Functionality: lift cover masks the projector; accurate positioning and settings; quiet operation; Somfy drive; control options: IR and RF remote control, Trigger, RS232.



Lift for large, premium home cinema projectors mounted above a ceiling. The projector descends to the set height

at the press of a button on the remote control. An aesthetic cover of the projector's sides makes it only slightly visible.

Available models: • CINEMAX-LIFT 20/700



CINEMAX-LIFT

Extension [mm]	700
Capacity [kg]	20
Own weight [kg]	31
Dimensions [mm]	D 667; W 647
Installation space [mm]	298
Max dimensions of projector [mm]	W - 465 D - 520 H - 220
Mounting hole in the ceiling [mm]	635x615
Remote control	• wall switch • option: IR, RF, Trigger, RS232
Power supply	SOMFY, 230V 50Hz; 95W
Security	• thermal and overload protection,
Set	• lift; • assembly kit; • wall switch; • mounting instruction manual;
Warranty	5 years (power supply)
Producer	VIZ-ART Automation Europe

UP-LIFT

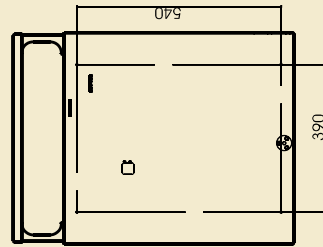
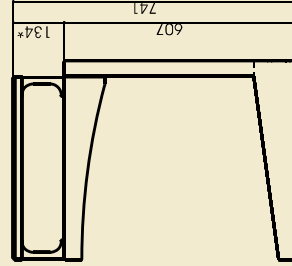
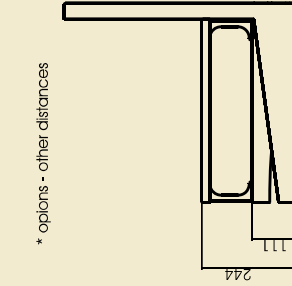
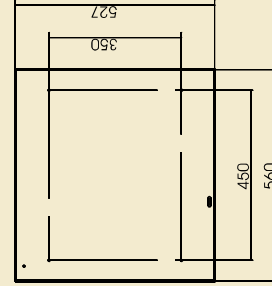
Advantages of the lift: original installation in unique and extraordinary interiors. Can also be used as a bar, in a bedroom or a home SPA.

Functionality: reliability; outlet operation; simple installation; variety of applications; options: IR, RF, Trigger and RS232, for EIB, masking grill.

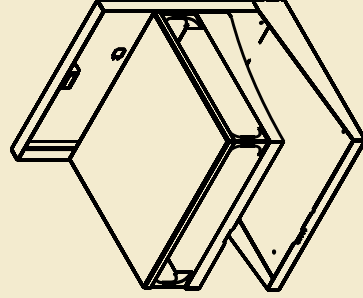


Lift elevates multimedia projector for a presentation from the inside of a piece of furniture or a table. After use the interior becomes

free of any devices. For original interior arrangements, where design and uniqueness are important.



Available models:
• UP-LIFT 30/496



UP-LIFT (Prestige)

Extension [mm]	496
Capacity [kg]	30
Own weight [kg]	25
Dimensions [mm]	• H 741 • W 527 • D 560
Max dimensions of projector [mm]	W - 465 D - 385 H - 220
Remote control	• wall switch • option: IR, RF, Trigger, RS232
Power supply	SOMFY, 230V 50Hz, 110W
Security	• thermal and overload protection, • safety brake
Set	• lift; • assembly kit; • wall switch; • mounting instruction manual;
Warranty	5 years (power supply)
Producer	VIZ-ART Automation Europe



Lifts for projectors made by VIZ-ART Automation are reliable and elegant solution for extraordinary interiors.





VIZ-ART AUTOMATION offer is full of professional solutions starting from precision TV's and projectors lifts through projection screens and custom made products and accessories for Smart Homes.



ART-LIFT

S: 544;
M: 684;
HD L: 824;
HD XL: 1104;



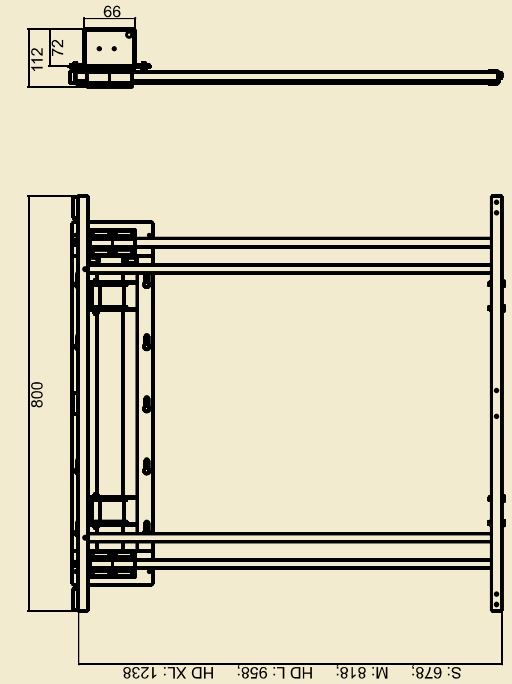
Advantages of lift: product range from 37"-85" Flat display or TV. Decorative front panel, painting, mirror, moves to hide or reveal your LCD TV or video conferencing system mounted in a niche.

Functionality: invisible mechanism (hidden behind a front cover); adjustable range of motion; Somfy motor; easy installation.

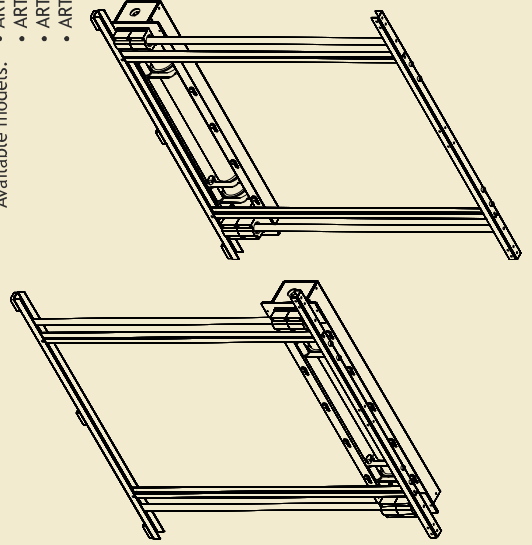
Control options : IR remote, RF remote, Trigger, SmartHome/Home automation Control Systems.



ART- LIFT mechanism dedicated for original residence project and special arrangement. Silent and steady work and high capacity up to 40 kg.



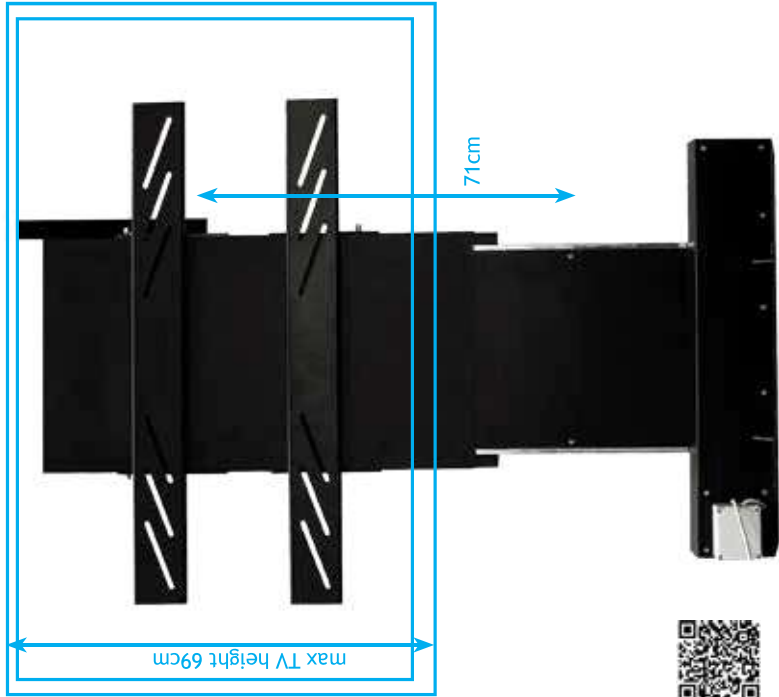
- Available models:
- ART-LIFT S
 - ART-LIFT M
 - ART-LIFT HD L
 - ART-LIFT HD XL



ART-LIFT S / ART-LIFT M / ART-LIFT HD L / ART-LIFT HD XL	
Available TV sizes	S: to 37"; M: to 46"; HD L: to 65"; HD XL: to 85"
Capacity [kg]	S: 27; M: 27; HD L: 40; HD XL: 40
Weight [kg]	S: 12; M: 13; HD L: 15; HD XL: 16
Range of motion / drop [mm]	S: 544; M: 684; HD L: 824; HD XL: 1104
Construction Height [mm]	S: 695; M: 835; HD L: 975; HD XL: 1255
Installation	Wall / Hardwall
Remote control	<ul style="list-style-type: none"> • wall switch • option: IR, RF, Trigger 230V, Smart, Control Systems
Adjustment	programmable
Power supply	SOMFY, 230V 50Hz; 180W; 42dB
Security	overload thermal
Set	<ul style="list-style-type: none"> • lift • installation elements • wall switch • installation manual
Warranty	5 years (motor Somfy)
Producer	VIZ-ART Automation Europe

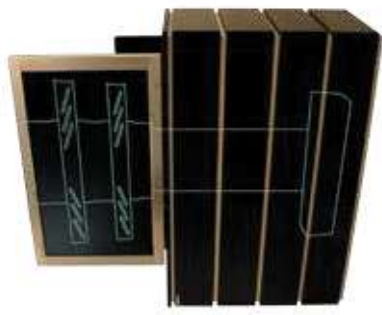
S: 678; M: 818; HD L: 958; HD XL: 1238

V-LIFT



Advantages of the lift: chosen by architects in arranged living spaces, in which the TV is to be visible only when needed (e.g. in EIB systems).

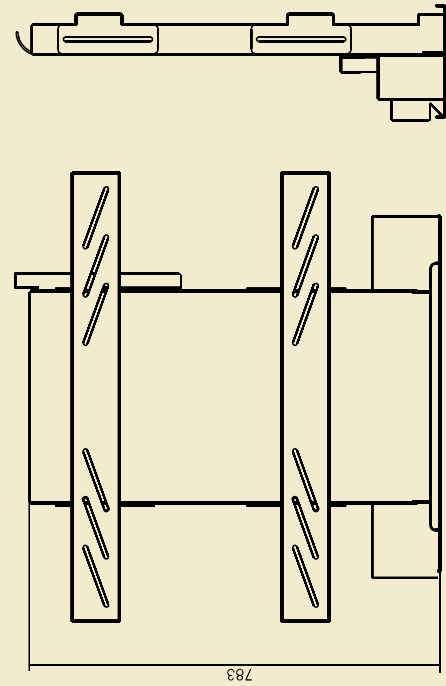
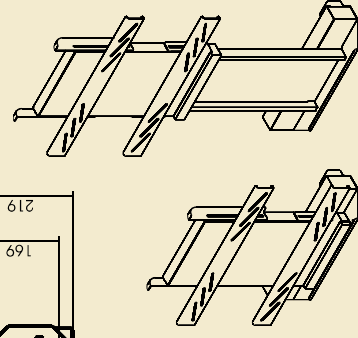
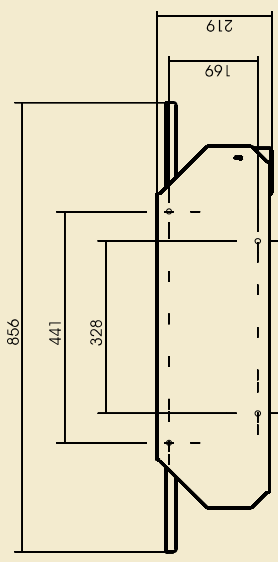
Functionality: large lifting capacity; easy installation in a piece of furniture or wall; comfort of use; control options: IR, RF remote control, Trigger, RS232 port, 230V power supply.



V-LIFT	
TV dimensions range	max TV height 69cm
Capacity [kg]	70
Own weight [kg]	36
Extension [mm]	710
Installation	<ul style="list-style-type: none"> • furniture • wall
Dimensions [mm]	W - 856 D - 214 H - 783
The dimensions of the mobile assembly [mm]	W - 405 D - 77 H - 783
The dimensions of the hole in the countertop [mm]	W = W TV + 15 D = 77 + D TV
Remote control	<ul style="list-style-type: none"> • wall switch • option: IR, RF, Trigger, RS232
Movement repeatability of the lift	do 0,8mm
Power supply	SOMFY, 230V 50Hz, 180W
Security	overload and thermal protection
Set	<ul style="list-style-type: none"> • lift • assembly kit • wall switch • mounting instruction manual
Warranty	5 years (power supply)
Producer	VIZ-ART Automation Europe

Vertical lift that slides the television set out from a piece of furniture or the ceiling, also recommended for intelligent home systems. Reliability, easy installation and control via RS232 make it attractive and comfortable to use.

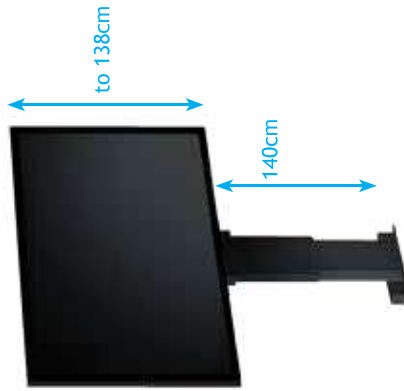
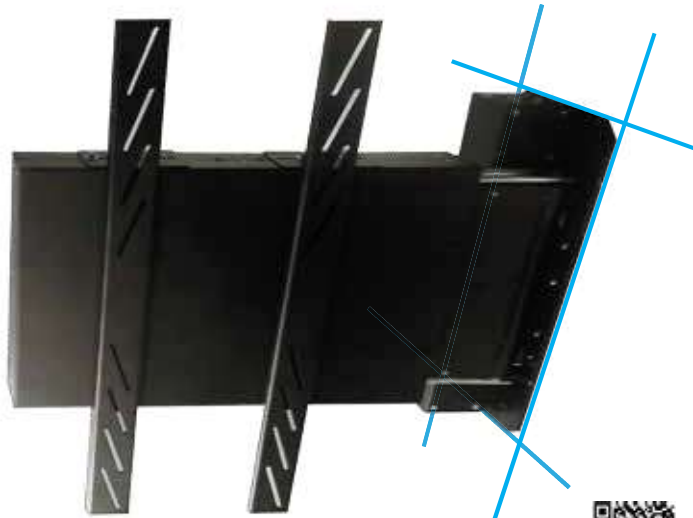
Available models: • V-LIFT



VMAX-LIFT 95

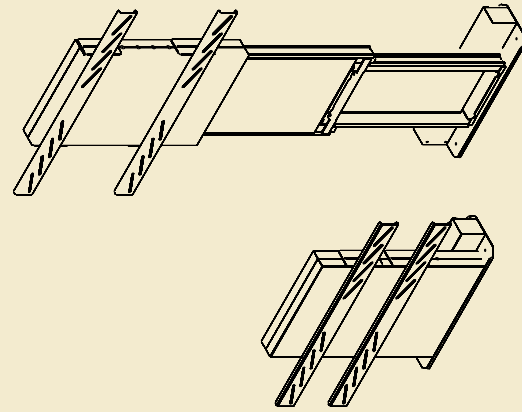
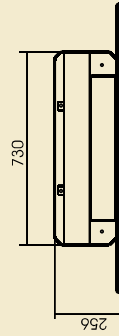
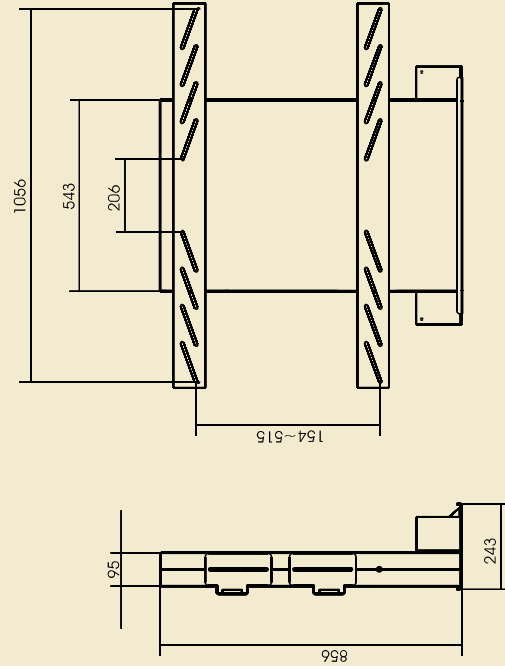
Advantages of the lift: ready for smart home and smart office installations; reliable operation in demanding AV set-ups capacity up to 130kg.

Functionality: a convenient way of presenting information in prestigious locations; large capacity and stable operation of the lift sliding out the monitor.



Professional lift for LCD TV sets up to 95" diagonal. It slides out the TV or the video wall switcher from the floor or furniture.

Used in exceptional commercial, residential, and public interiors. Precision of the structure ensures durability and reliability.



Available models: • VMAX-LIFT 95



VMAX V-LIFT 95

TV dimensions range	to 95"
Max TV height	138cm
Capacity [kg]	130
Own weight [kg]	60
Extension [mm]	1400
Installation	<ul style="list-style-type: none"> • ceiling • furniture
Dimensions of lift [mm]	W - 1056; D - 243; H - 855,5
Remote control	<ul style="list-style-type: none"> • wall switch • option: IR, RF, Trigger, RS232
Power supply	SOMFY, 230V 50Hz; 190W
Security	overload and thermal protection
Set	<ul style="list-style-type: none"> • lift • assembly kit • wall switch • mounting instruction manual
Warranty	5 years (power supply)
Producer	VIZ-ART Automation Europe

SIDE-LIFT

Advantages of the lift: used in original projects with a TV that slides out horizontally, where comfortable use and high quality are important. SIDE-lift is chosen for modern interiors.

Functionality: precise and quiet operation; a part of the piece of furniture moves when the TV slides out; high precision of settings; Somfy drive; control options: IR and RF, Trigger and RS232.



Horizontal lift for TV sets that slides them out of the side of a piece of furniture, enclosure or partition wall (horizontally).
Meets

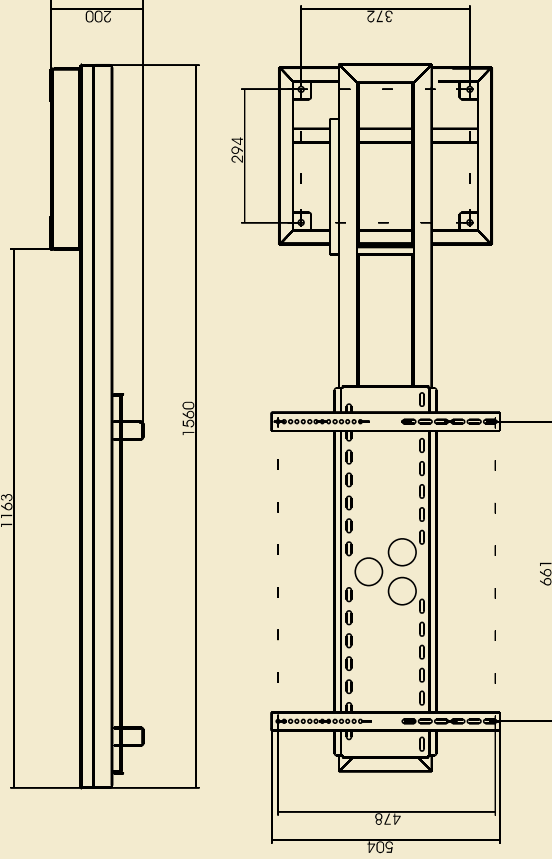
the expectations of users and designers, and is practised in interesting interior designs with a TV that slides out of a fitting.



to 140cm



Available models: • SIDE-LIFT 65



SIDE-LIFT 65

TV dimensions range	to 65"
Capacity [kg]	50
Own weight [kg]	25
Extension [mm]	1400
Installation	<ul style="list-style-type: none"> • wall • furnitures
Remote control	<ul style="list-style-type: none"> • wall switch • option: IR, RF, Trigger, RS232
Stop positions	adjustable - programmed
Power supply	SOMFY, 230V 50Hz; 190W
Security	<ul style="list-style-type: none"> • moving elements covered inside • CE certificates
Set	<ul style="list-style-type: none"> • lift • elements to mounting TV • mounting instruction manual
Warranty	5 years (power supply)
Producer	VIZ-ART Automation Europe

ADVANCED

Advantages of the lift: selected for prestigious interiors with LCD monitors visible only when in use - they slide out individually or in accordance with a program.

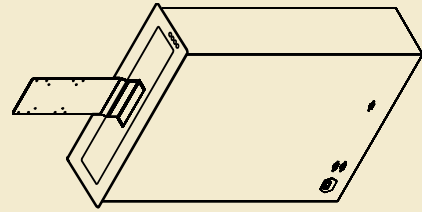
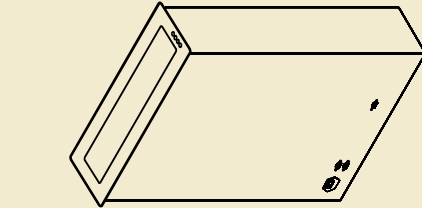
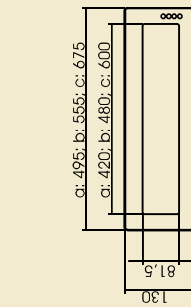
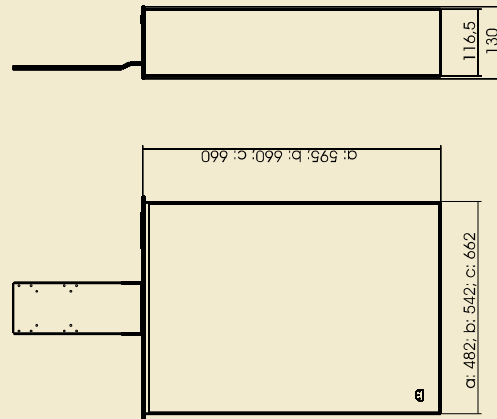
Functionality: original design; convenient and simple operation; easy installation in a finished piece of furniture; touch panel for tilting and hiding the monitor.



Ideal solution for managing board and war rooms and small VC systems, great solution

for it. Training rooms and multipurpose room.

- Available models:
- ADVANCED S 17" (a);
 - ADVANCED S 19" (b);
 - ADVANCED S 24" (c)



ADVANCED

Extension [mm]	a: to 17"; b: to 19"; c: to 24"
Capacity [kg]	8,5
Own weight [kg]	a: 16; b: 17; c: 18
Installation	<ul style="list-style-type: none"> • furniture • table • desk
Remote control	<ul style="list-style-type: none"> • RS232 • RF (+ remote control) • control panel integrated with lift
Adjusting setting	<ul style="list-style-type: none"> • height • leaning back - to 15°
Power supply	230V 50Hz; 30W
Security	<ul style="list-style-type: none"> • mechanism inside • certificates CE
Set	<ul style="list-style-type: none"> • lift • TV mount (MESA) • mounting instruction manual
Warranty	2 years
Producer	VIZ-ART Automation Europe

CP-LIFT S



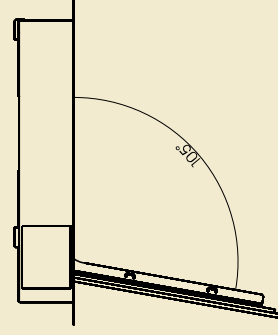
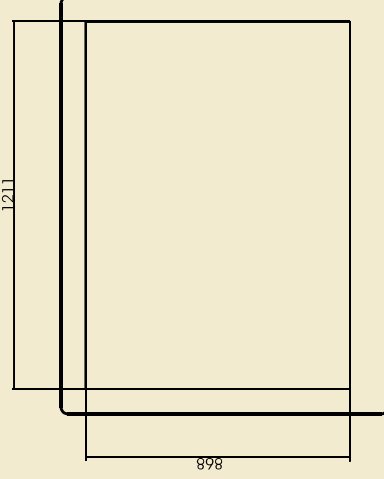
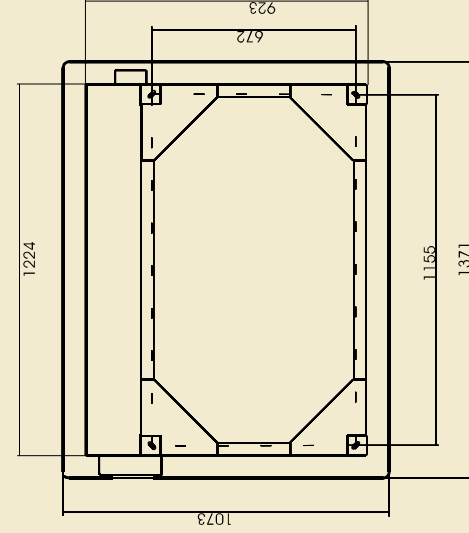
Advantages of the lift: ideal for modern design and representative with a TV visible only when in use, quietly moves the TV to the desired position.

Functionality: original design; convenient and easy to use; installation in the ceiling; TV tilts by 105°, 230V; control options: IR, RF, Trigger, central control system.



Ceiling lift for flat TVs horizontally mounted in the ceiling. The television set is hidden above the ceiling and, at the touch of a button

on the remote control, descends and then stops in the desired position. It meets the expectations of demanding users.



CP-LIFT S

TV dimensions range	to 46"
Capacity [kg]	45
Own weight [kg]	68
Min dimensions of lift space [mm]	W - 1331; H - 960; D - 196
Max dimensions of TV [mm]	W - 1205; H - 730; D - 125
Installation	ceiling
Remote control	<ul style="list-style-type: none"> • wall switch • option: IR, RF, Trigger, RS232
Stop positions	adjusted - programmable
Power supply	SOMFY, 230V 50Hz; 180W; 42dB
Security	overload and thermal protection
Set	<ul style="list-style-type: none"> • lift • elements to mounting TV • wall switch • mounting instruction manual
Warranty	5 years (power supply)
Producer	VIZ-ART Automation Europe

CP-LIFT M, CP-LIFT L



Advantages of the lift: Suits the most exclusive interiors and boosts its prestige. Makes a TV visible only when in use.

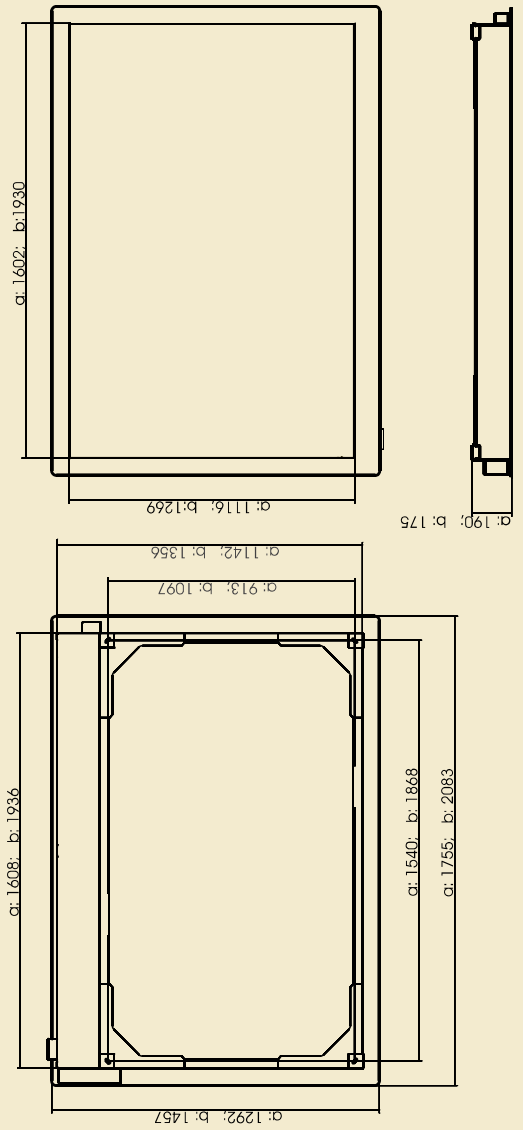
Functionality: original design; convenient and easy to use; installation in the ceiling; TV tilts by 110°, 230V; control options: IR, RF, Trigger, central control systems.



The lift fits the largest screens which are horizontally mounted in the ceiling. The television set is hidden above the ceiling and, at the touch of a button on the remote

control, descends and then stops in the desired position. A „must have„ solution for the most demanding customers.

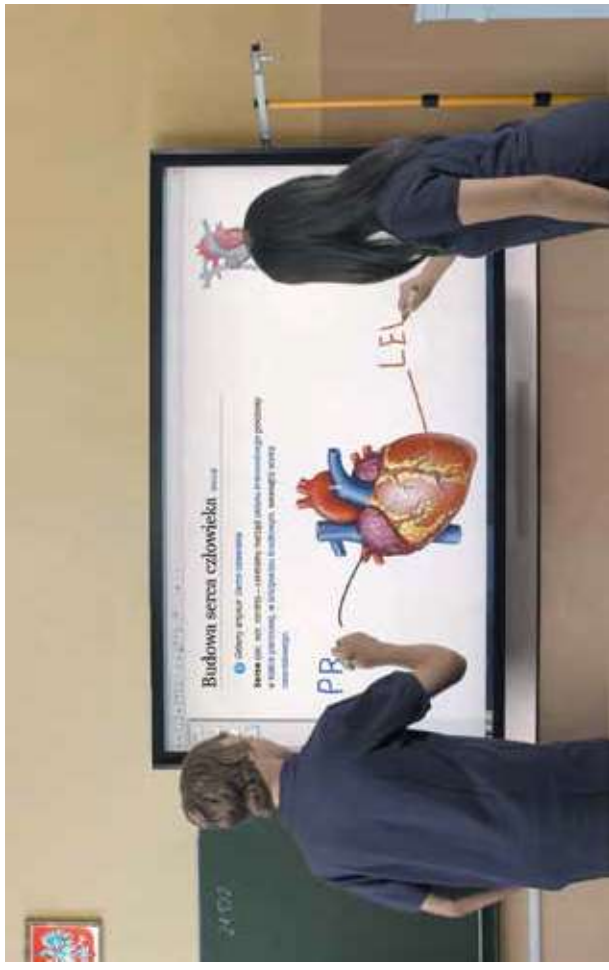
Available models: • CP-LIFT M (a)
• CP-LIFT L (b)



CP-LIFT M, CP-LIFT L

TV dimensions range	a: to 65"; b: to 80"
Capacity [kg]	a: 45kg; b: 50kg
Own weight [kg]	a: 90kg; b: 101kg
Min dimensions of lift space [mm]	a: W - 1735; H - 1190; D - 190; b: W - 2062; H - 1404; D - 175;
Max dimensions of TV [mm]	a: W - 1572; H - 948; D - 100; b: W - 1900; H - 1100; D - 90;
Installation	ceiling
Remote control	• wall switch • option: IR, RF, Trigger, RSZ32
Stop positions	adjusted - programmable
Power supply	SOMFY, 230V 50Hz; 180W; 42dB
Security	overload and thermal protection
Set	• lift • elements to mounting TV • wall switch • mounting instruction manual
Warranty	5 years (power supply)
Producer	VIZ-ART Automation Europe

SMARTBOARD LIFT



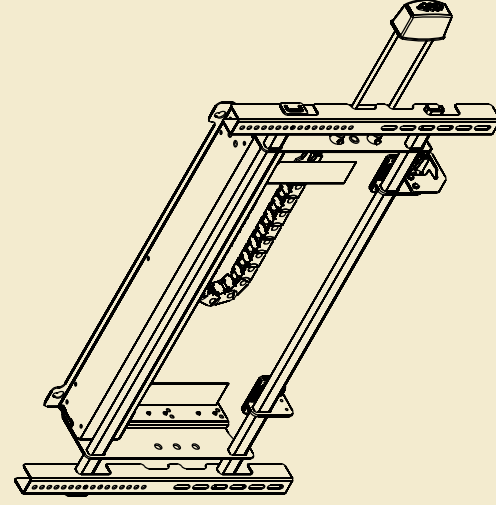
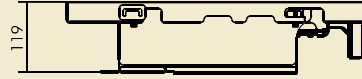
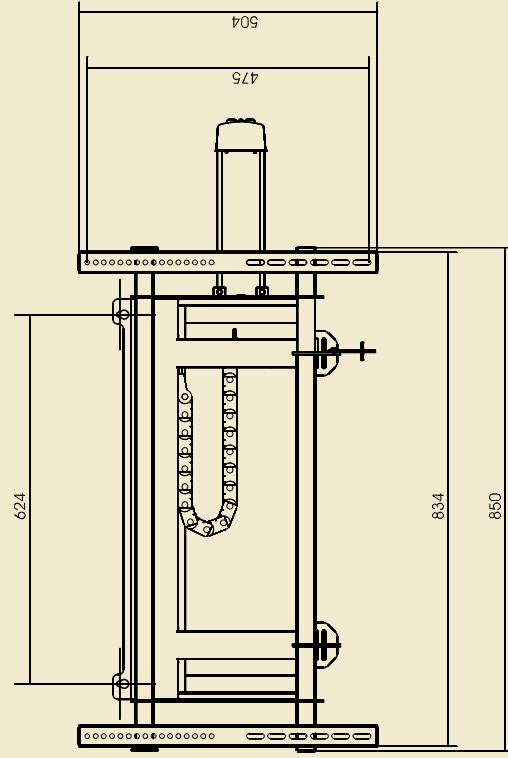
Advantages of the lift: easy set-up and remote or button control; for set-up on the wall and mobile stand use.

Functionality: quick adjustment of SMARTBOARD position for Users of different heights; no programming needed.



Easy height adjustment for the convenience of Users.

Electric lift for interactive SMARTBOARDS, TV sets. Dedicated to set up on the wall, and mobile carts.



SMARTBOARD LIFT

Extension [mm]	to 90"
Capacity [kg]	70
Own weight [kg]	16,5
Extension [mm]	410
Installation	<ul style="list-style-type: none"> • wall • stand
Remote control	<ul style="list-style-type: none"> • wall switch • option: IR, RF, Trigger, RSZ32
Producer	VIZ-ART Automation Europe





VIZ-ART manufactures the highest quality lifts for projectors and plasma TVs. Modern solutions are used in demanding AV setups in representative luxurious interiors.



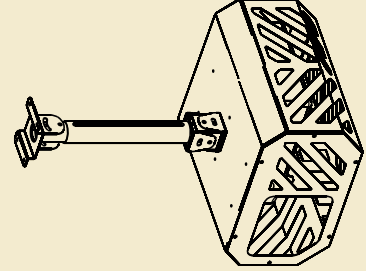
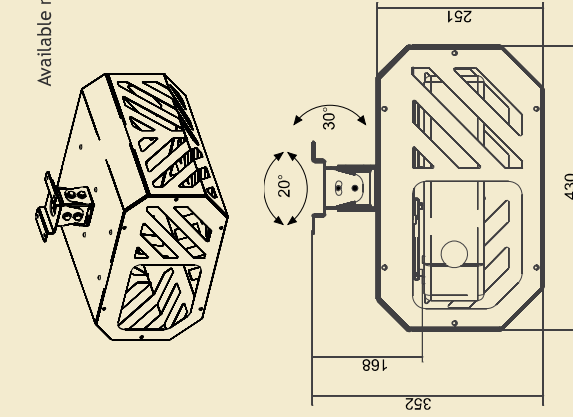
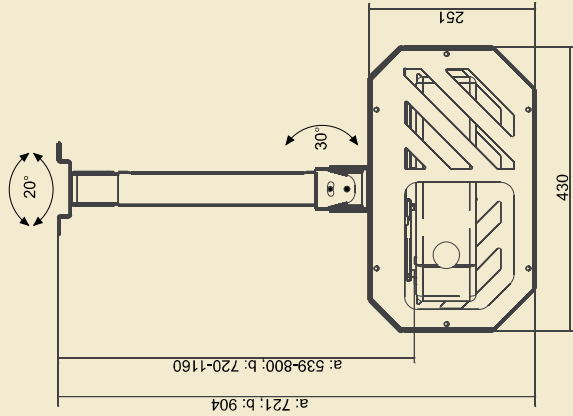
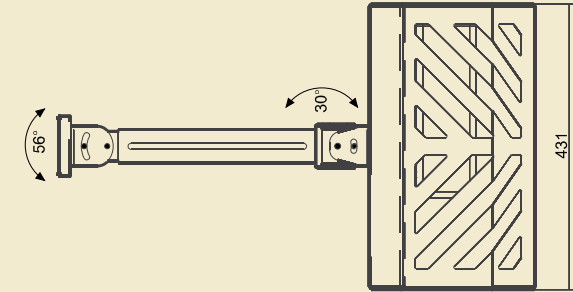
Advantages: provides maximum security by completely enclosing projector. Good air flow for proper operation of AV unit.

Functionality: adjustable projector mount; ventilation holes in the housing; with adjustable arm or direct installation. Well-fitting front for projector lens; adjustment of settings; solid workmanship.



Housing for DLP/LCD projector allowing proper air flow. Height adjustable. Key lockable for safety reasons, Ceiling mounted.

- Available models:
- VIZBOX Slim (a)
 - VIZBOX 54-80 (b)
 - VIZBOX 72-116 (c)



VIZBOX Slim (a); VIZBOX 54-80 (b); VIZBOX 72-116 (c)	
Capacity [kg]	15
Own weight [kg]	a: 10,2; b: 10,5; c:13
Dimensions [mm]	D - 432
	W - 430
	H - a: 352; b: 721/982; c: 904/1344
Cables management	inside mount hiding cables
Security	stable installation system
Set	• enclosure; • mounting template; • wall switch; • mounting instruction manual;
Warranty	2 years
Producer	VIZ-ART Automation Europe

PROTECT

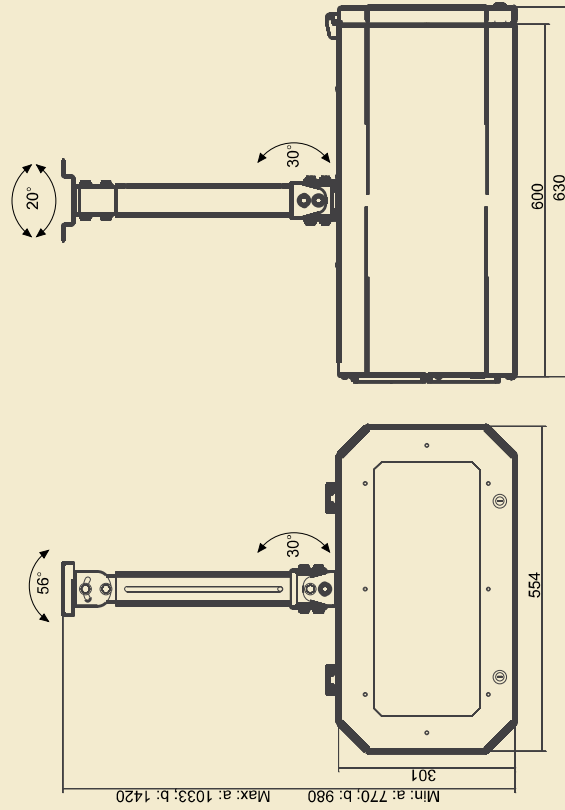
Advantages: housing for DLP/LCD projector for installation in dusty environment; active ventilation system; exchangeable air filter to ensure the best performance; smoothly adjustable arm or direct installation. Options: according to specific work conditions on individual request.

Functionality: adjustable mounting arm for easy projector installation, 230V fan system; exchangeable air filter; fits for multiple projector brands and types

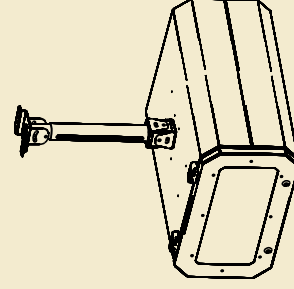


Universal projector housing for operation in difficult conditions (i.e. dusty environment) key lockable.

Options: according to specific operation and conditions and individual inquiries



- Available models:
- PROTECT Slim (a)
 - PROTECT 54-80 (b)
 - PROTECT 72-116 (c)



PROTECT Slim (a); PROTECT 54-80 (b); PROTECT 72-116 (c)

Capacity [kg]	15
Own weight [kg]	a: 10,2; b: 10,5; c:13
Dimensions [mm]	D - 630 W - 554 H - a: 352; b: 721/982; c: 904/1344
Cables management	inside mount hiding cables
Security	stable installation system
Set	• enclosure; • mounting template; • key lock; • mounting instruction manual;
Warranty	2 years
Producer	VIZ-ART Automation Europe

OUTDOOR Enclosure: S / M / L



Advantages: Outdoor Enclosures are sealed to IP55 and durable against the extreme weather conditions. Available in sizes from 46" up to 65". DS player and additional accessories can be installed in enclosure. Almost every LCD TV or monitor can be turned in outdoor display system. Temperature inside is controlled thermostatically.

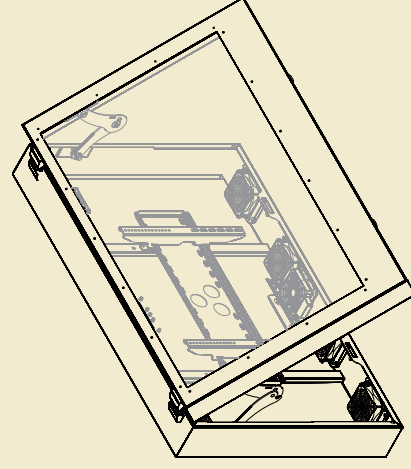
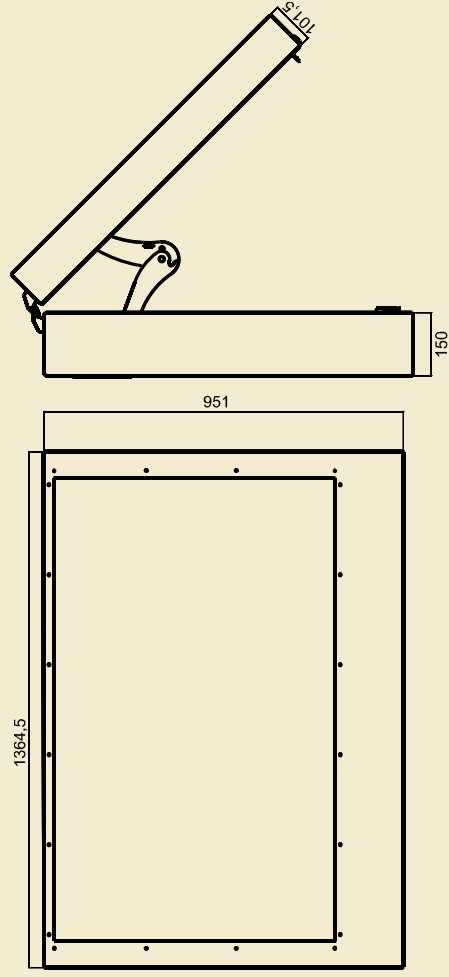
Functionality: DOOH Visual Communication, Digital Signage, Digital Posters, Information Points and more. IP 55 offers wide range of possible installations. Exchangeable Air filters keeps interior dust free. Anti-burglar systems, secures display and accessories inside Outdoor Enclosure.



Outdoor Enclosures are „must have” solutions for Visual Communication today. Ready for Digital Poster and Digital Signage or just

a TV in outdoor part of restaurants. Now almost every LCD TV or monitor can be turned in outdoor display system.

- OUTDOOR Enclosure S
- OUTDOOR Enclosure M
- OUTDOOR Enclosure L



OUTDOOR Enclosure: S / M / L

Dimensions [mm]

S: H - ; W - ; D -
M: H - 980; W - 1430; D - 232
L: H - ; W - ; D -

Enclosure options

Outdoor

Temperature range

(-5°C - + 34°C)

Window type

Anti-Reflective polycarbonate

Universal mounting screen (internal)

VESA standard all type

Dual security locks

yes

Surge protected power

yes

Internal heater (thermally controlled)

yes

Filter cooling system

yes

Protection

IP 55

Power supply

230V - 50Hz

LEADER mount

Advantages: universal projector mount; smoothly adjustable on all axis; convenient height adjustment; popular solution for AV installation.

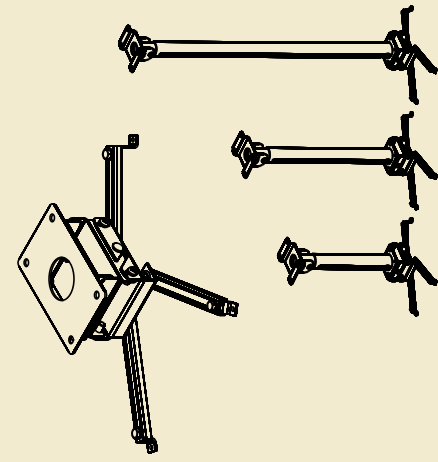
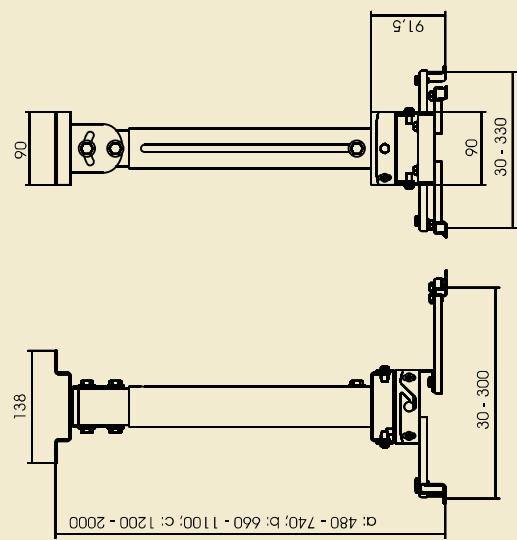
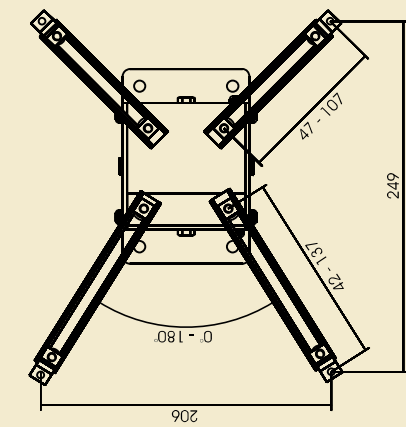
Functionality: direct and several adjustment ranges ceiling mounts; H&V-adjustable, solid workmanship; Inside mount hiding cables; Capacity 15kg; assembly stability, RAL powder coating.



Universal ceiling mount for projectors up to 15 kg. Stable and functional with convenient projector positioning, adjustable

on all axis. Range of adjustment 9-200cm. Greater adjustment range on request. Best choice for AV integrators for many years.

- Available models:
- LEADER Mount direct (a)
 - LEADER Mount 48-74 (b)
 - LEADER Mount 66-110 (c)
 - LEADER Mount 120-200 (d)



LEADER Mount: direct (a); 48-74 (b); 66-110 (c); 120-200 (d)	
Wysięg [mm]	a: -; b: 48-74; c: 66-110; d: 120-200
Capacity [kg]	15
Own weight [kg]	a: 1; b: 2; c: 2,9; d: 5,5
Dimensions [mm]	D - 138 W - 90 H - a; 95; B: 480/740; c: 660/110; d: 1200/2000
Cables management	inside mount hiding cables
Security	stable installation system
Set	• mount; • mounting template; • mounting instruction manual;
Warranty	2 years
Producer	VIZ-ART Automation Europe

MIDI Mount



Advantages: ideal for professional installation and precise adjustment with convenient projector positioning and Height-adjustment.

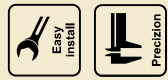
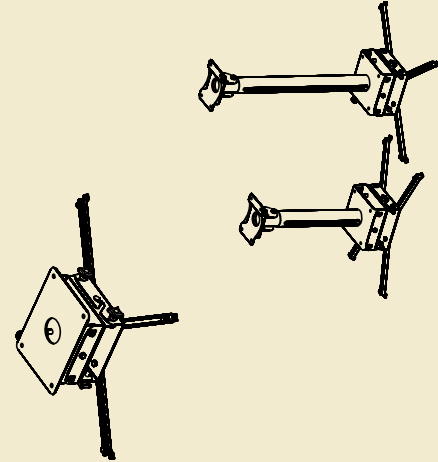
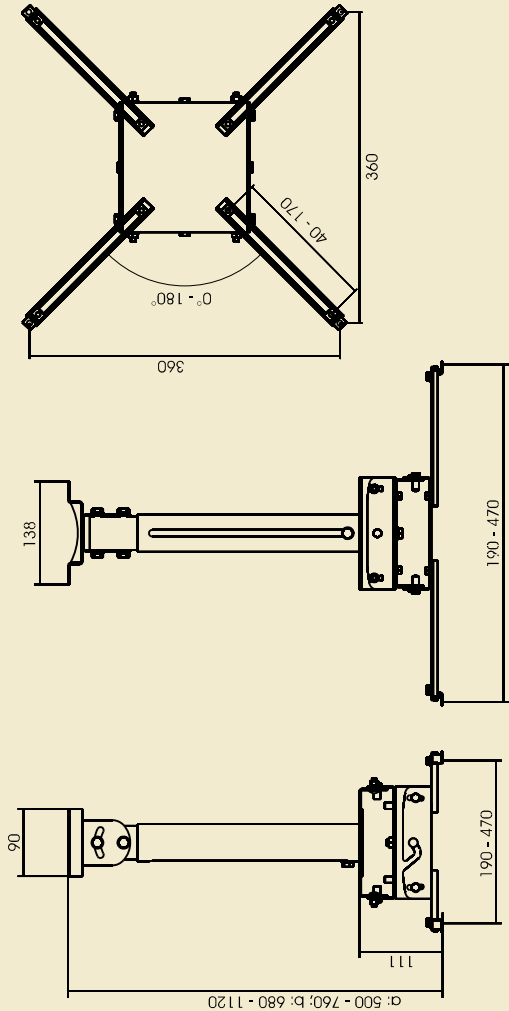
Functionality: for installation projectors, direct and several adjustment ranges; Ceiling mounted; precise adjustment on all axis; Inside mount hiding cables; Capacity up to 36 kg; RAL powder coating.



Universal projector mount for larger projectors (up to 36kg) reliable and functional with easy adjustment on all axis. Range

of adjustment 48 - 200cm and more. Mostly used for professional AV installations.

- Available models:
- MIDI Mount direct (a)
 - MIDI Mount 50-76 (b)
 - MIDI Mount 68-112 (c)

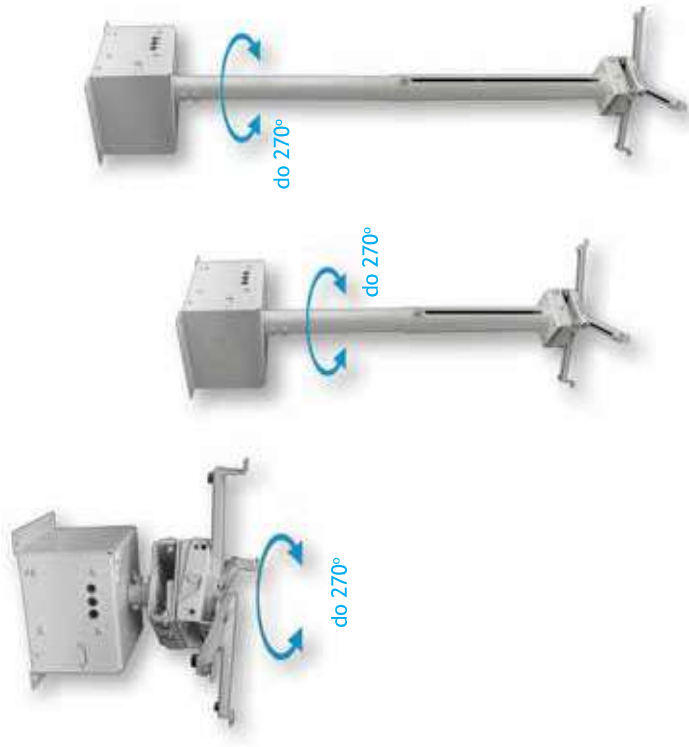


MIDI Mount: direct (a); 50-76 (b); 68-112 (c)	
Wysięg [mm]	a: 50-76; b:68-112
Capacity [kg]	36
Own weight [kg]	a: 3; b: 4; c:5
Dimensions [mm]	D - 138 W - 90 H - a: 114; b: 500/760; c: 680/1120
Cables management	inside mount hiding cables
Security	stable installation system
Set	• mount; • mounting template; • mounting instruction manual;
Warranty	2 years
Producer	VIZ-ART Automation Europe

LEADER Motion Mount

Advantage: motorized motion mount, ideal for projection on two screens (programmable and RS-232); precise adjustment on all axis. For projectors up to 15 kg.

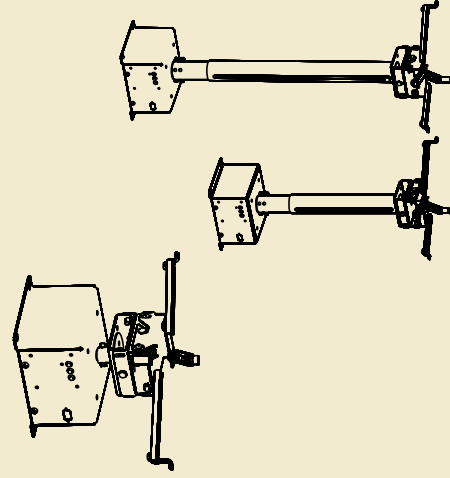
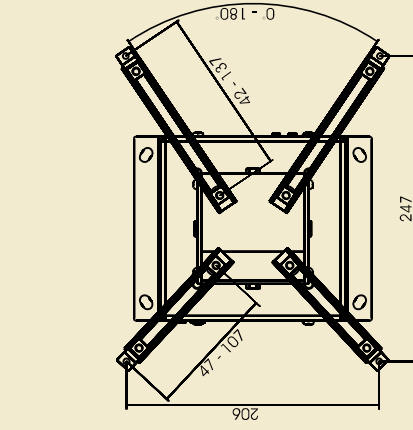
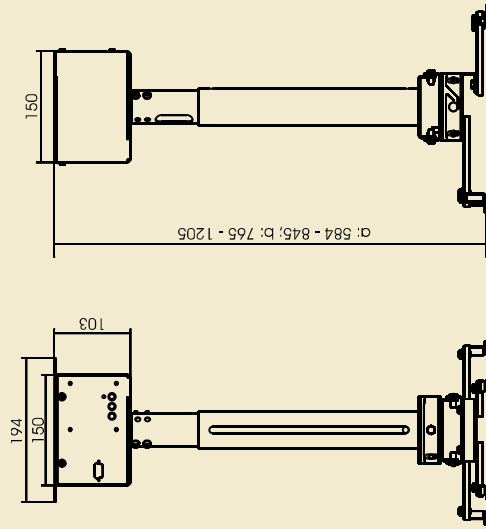
Functionality: rotation up to 270degree for projection on two screens; ceiling mounted; adjustment on all axis; direct and range adjusted arm, inside arm hiding cables; powered 230V; capacity 15kg; reliable construction; RAL powder coating.



Motorized motion mount for multimedia projectors. Switchable positions from first

to second projection screen. Programmable projection positions.

- Available models:
- LEADER Motion Mount direct (a)
 - LEADER Motion Mount 58-84 (b)
 - LEADER Motion Mount 76-120 (c)



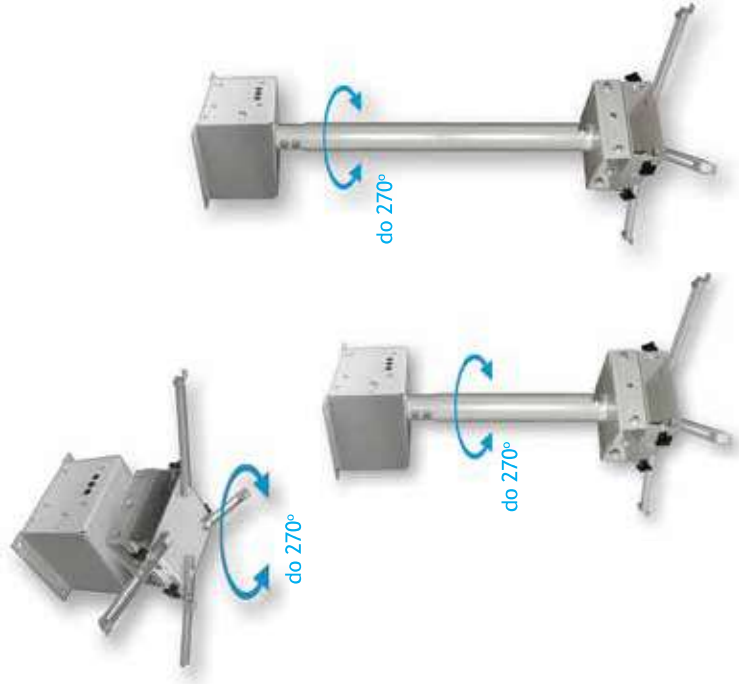
LEADER Motion Mount: direct (a); 58-84 (b); 76-120 (c)

Capacity [kg]	15
Own weight [kg]	a: 3,5; b: 4,5; c: 5,4
Dimensions [mm]	D - 150 W - 194 H - a: 226; b: 585/865; c: 765/1205
Cables management	inside mount hiding cables
Security	stable installation system
Set	• mount; • mounting template; • wall switch; • mounting instruction manual;
Warranty	2 years
Producer	VIZ-ART Automation Europe

MIDI Motion Mount

Advantages: motorized motion mount for larger installation projectors; direct and range adjusted arm; for professional projection on two screens (programmable and RS-232); precise adjustment on all axis.

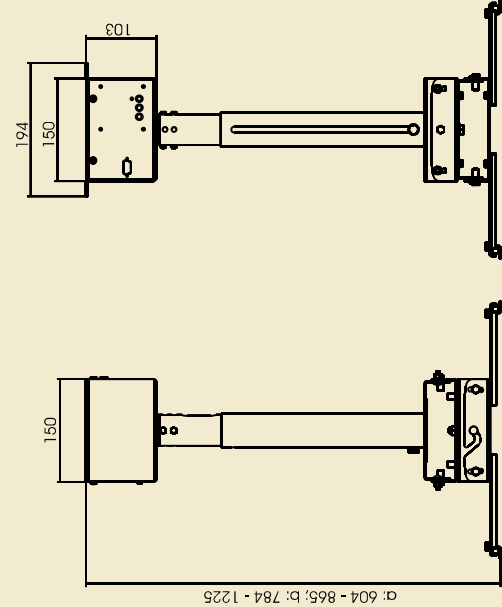
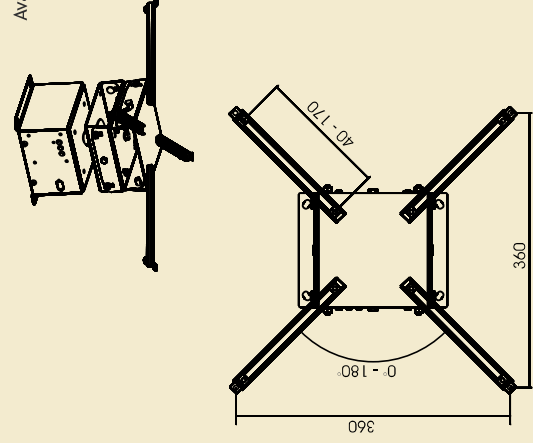
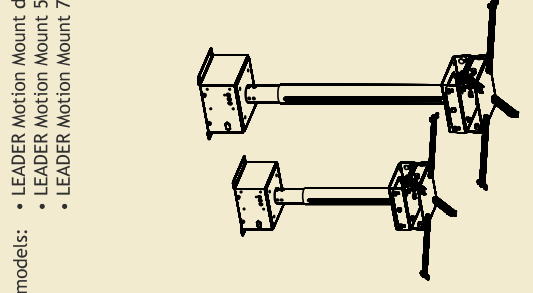
Functionality: dedicated for switchable projection on two screens; rotation up to 270degree; ceiling mounted; adjustment on all axis; powered 230V; capacity 36kg; reliable construction; RAL powder coating.



Motorized motion mount for larger installation projectors weight up to 36kg; Switchable positions from first to second projection

screen. Programmable projection positions. Remote (option) or wired (standard) control possible. Easy installation and programming.

- Available models:
- LEADER Motion Mount direct (a)
 - LEADER Motion Mount 58-84 (b)
 - LEADER Motion Mount 76-120 (c)



a: 604 - 865; b: 784 - 1225

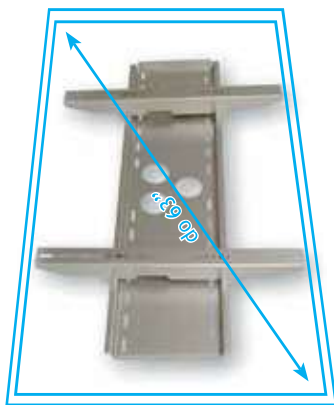
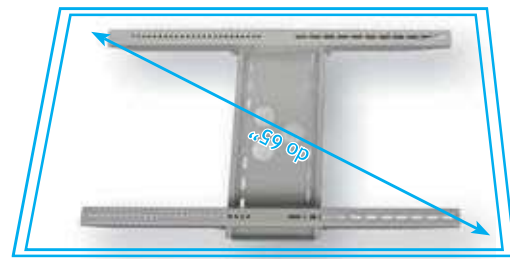
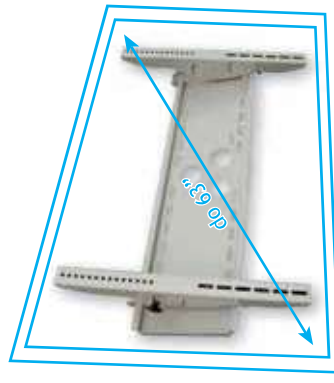


MIDI Motion Mount: direct (a); 58-84 (b); 76-120 (c)	
Capacity [kg]	35
Own weight [kg]	a: 5,5; b: 6,5; b:7,5
Dimensions [mm]	D - 190 W - 190 H - a: 246; b: 585/760; c: 765/1120
Cables management	inside mount hiding cables
Security	stable installation system
Set	• mount; • mounting template; • wall switch; • mounting instruction manual;
Warranty	2 years
Producer	VIZ-ART Automation Europe

FLEXI / STATIC / STATIC VERTICAL MOUNT

Advantages: stable and reliable line on LCD/TV mounts. Adjusted monitor mountings; Fixed/ Tilt and Horizontal/ Vertical installation models available. Compatible with multiple LCD/TV offered on the market.

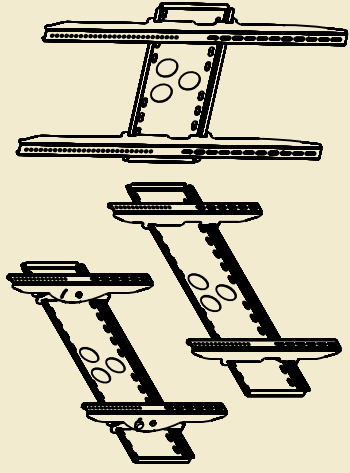
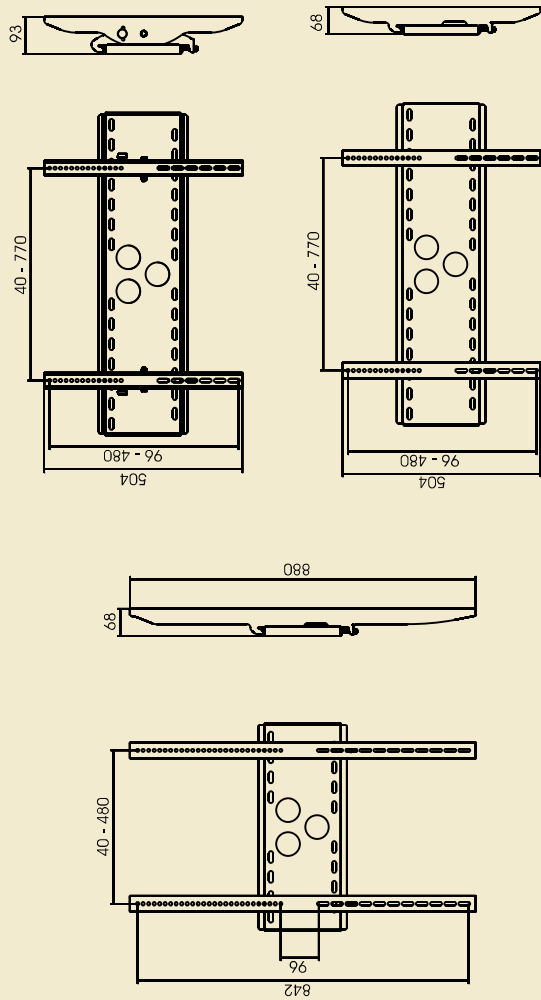
Functionality: easy installation; adjusted monitor mountings; solid workmanship; compatible with multiple LCD/TV models.



Most popular and reliable Wall mounts for flat displays. Universal mount fits to almost every

monitor/TV models. Capacity up to 65kg. RAL powder coating.

- Available models:
- FLEXI Mount (a)
 - STATIC Mount (b)
 - STATIC VERTICAL Mount (c)



FLEXI Mount (a); STATIC Mount (b); STATIC VERTICAL Mount (c)	
Capacity [kg]	a: 65; b:65; c:65
Own weight [kg]	a: 5,2; b:5,1; c:6,1
Dimensions [mm]	D - 93; b:68; c:70 W - 820; b:820; c:880 H - 504; b:504; c:521
Cables management	inside mount hiding cables
Security	stable installation system
Set	• mount; • mounting template; • mounting instruction manual;
Warranty	2 years
Producer	VIZ-ART Automation Europe

LEO Slim Mount



Advantages: new design range of ceiling LCD/TV mounts. Safe and easy installation for multiple LCD/TV models. Convenient height adjustment; popular solution for every AV installation.

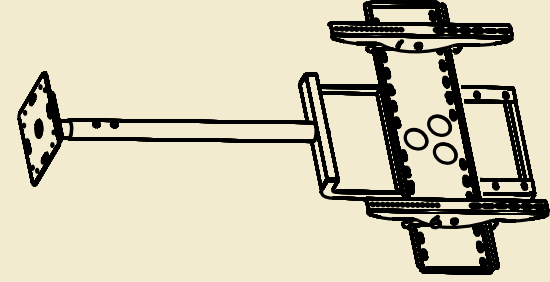
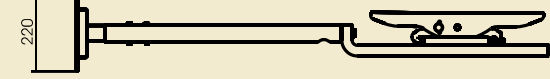
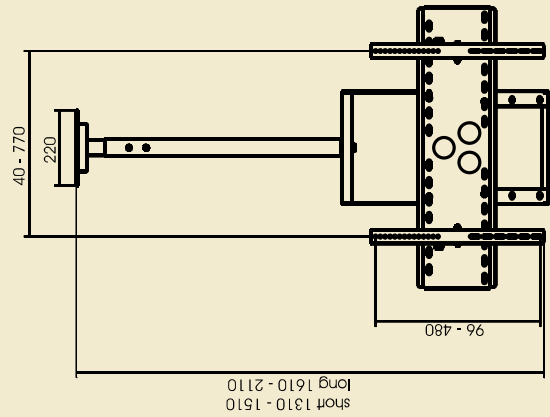
Functionality: stable installation; reliable and solid construction; inside mount hiding cables; capacity up to 75kg.

Custom modification possible on individual request.



Ceiling mount for flat displays. Adjustable height & tilt installation. Inside mount hiding cables available. Suitable for prestige

commercial AV installations. Capacity up to 65kg. Standard and RAL powder coating available.



Available models: • LEO Slim Mount



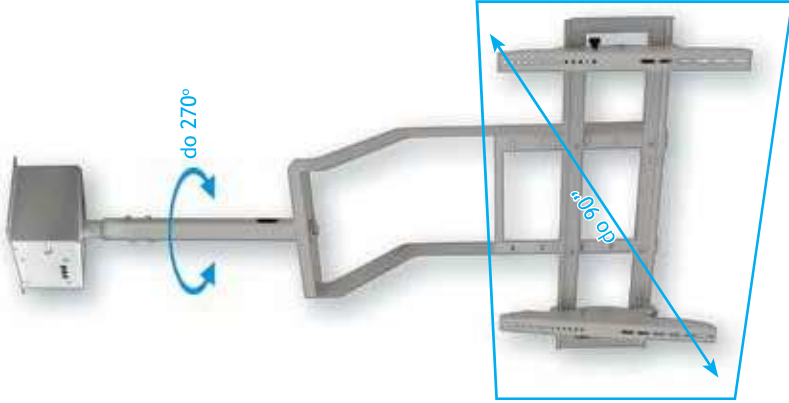
LEO Slim Mount	
Capacity [kg]	15
Own weight [kg]	10,5
Wysieg [mm]	from 1060 mm to 1260 mm
Cables management	inside mount hiding cables
Security	stable installation system
Set	• mount; • mounting template; • mounting instruction manual;
Warranty	2 years
Producer	VIZ-ART Automation Europe

short 1310 - 1510
long 1610 - 2110

LEO Motion Mount

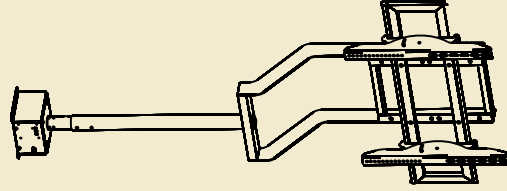
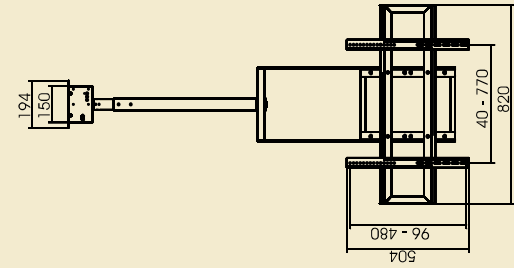
Advantages: motorized ceiling motion mount for LCD/TV and monitors; direct and range adjusted arm; inside arm hiding cables. Used in variety Digital Signage projects, commercial and residential installations.

Functionality: dedicated for professional use in AV installations; eye-catching solution; reliable and solid construction; Inside mount hiding cables Capacity up to 45kg.; powered 230V; RAL powder coating.



Universal ceiling mount for flat displays with TILT adjustment. direct and height adjusted arm; inside arm hiding cables.

Fits to almost every monitor/TV models. RAL powder coating.



Available models: • LEO Motion Mount



LEO Motion Mount

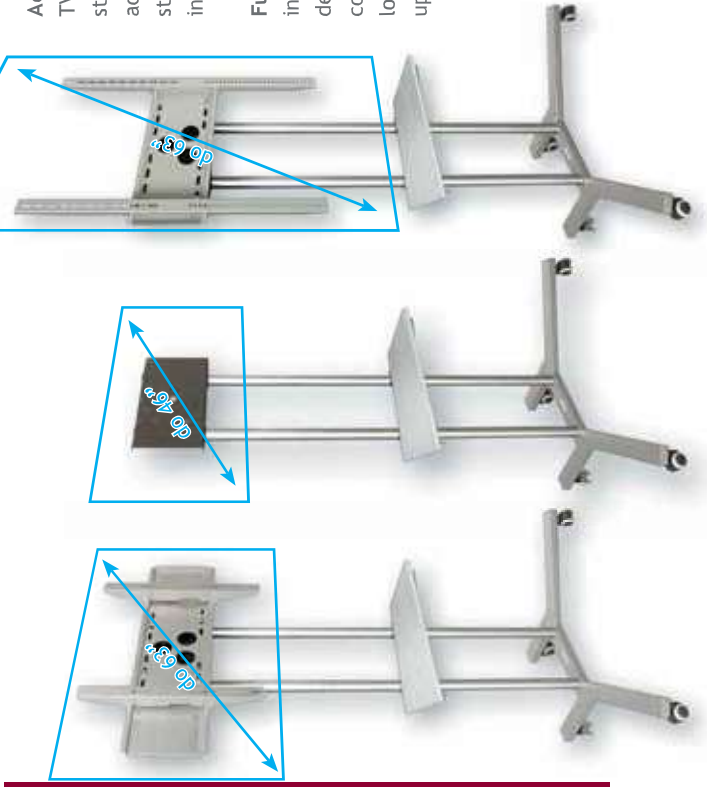
Capacity [kg]	45
Own weight [kg]	a: 15
Dimensions [mm]	D - 295 W - 820 H - 1429
Cables management	inside mount hiding cables
Security	stable installation system
Set	• mount; • mounting template; • wall switch; • mounting instruction manual;
Warranty	2 years
Producer	VIZ-ART Automation Europe

GEMINI Mobil Stand

148 TV STANDS

Advantages: mobile stand for LCD/TV and monitors; elegant brushed steel finishing components; Height adjusting TV mount. This mobile TV stand with wheels is used mostly in commercial installations.

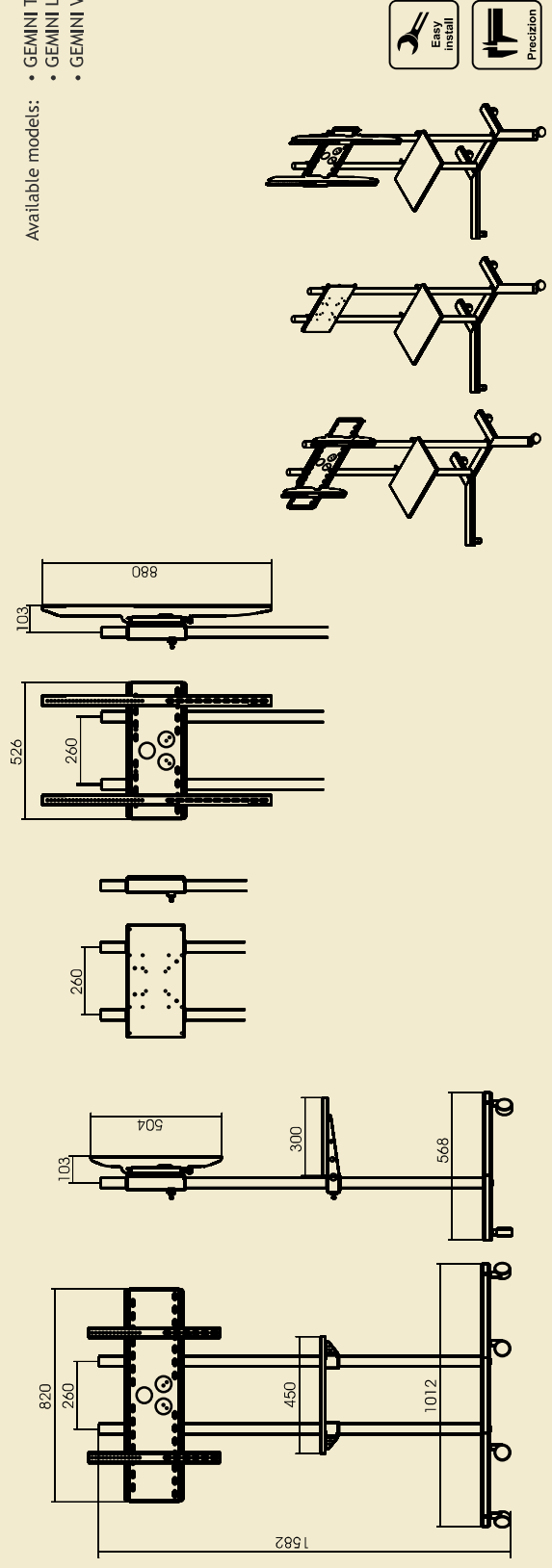
Functionality: easy flat display installation; modern eye-catching design; reliable and solid construction; height adjustment; lockable stand wheels; Capacity up to 75kg.; RAL powder coating.



Universal mobile stand for LCD/TV and monitors up to 63 inches. Elegant brushed steel finishing components and modern

design. Suitable for every interior. Versatile and easy to use.

- Available models:
- GEMINI TV Mobil (a)
 - GEMINI LCD Mobil (b)
 - GEMINI Vertical Mobil (c)

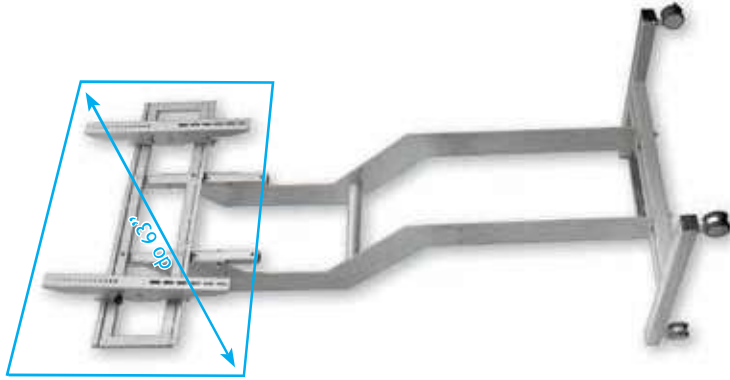


GEMINI Mobil Stand: TV (a); LCD (b); Vertical (c);	
Capacity [kg]	a: 65; b:45; c:65
Own weight [kg]	a: 21; b:13,5; c:18,5
Dimensions [mm]	D - a:568; b:1012; c:1730 W - a:568; b:1012; c:1582 H - a:568; b:1012; c:1582
Cables management	inside mount hiding cables
Security	stable installation system
Set	• stand; • mounting instruction manual;
Warranty	2 years
Producer	VIZ-ART Automation Europe

LIBRA Mobil Stand

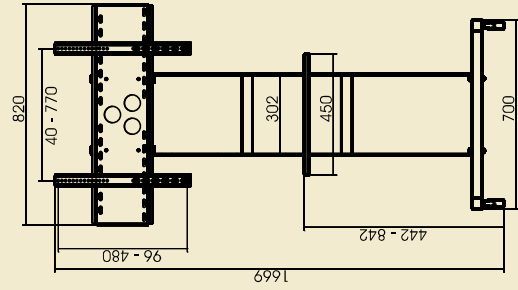
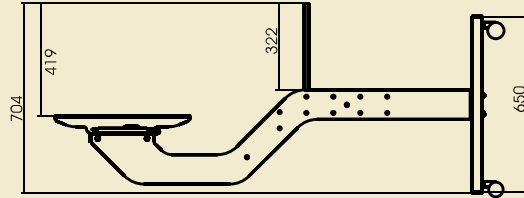
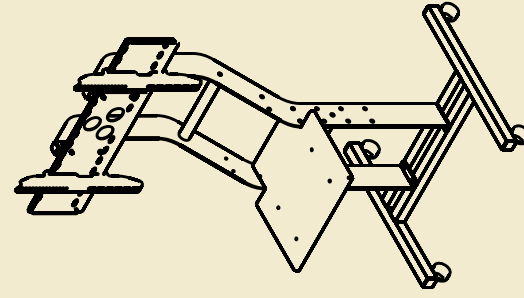
Advantages: stabile universal stand for LCD/TV and monitors. Stand with wheels dedicated to monitors up to 75kg. For commercial installations.

Functionality: easy installation; reliable and stable construction; universal mounting for LCD/TV; Stand with wheels; optional shelf available; Capacity up to 75kg.; RAL powder coating.



Universal mobile stand for plasma and LCD monitors/TV up to 63 inches diagonal. Used

in many professional applications. Valued for stability, design and convenience of use.



Available models: • LIBRA Mobil



LIBRA Mobil Stand

Capacity [kg]	75
Own weight [kg]	30
Dimensions [mm]	D - 350 W - 820 H - 1758
Cables management	inside mount hiding cables
Security	stable installation system
Set	• stand; • mounting instruction manual;
Warranty	2 years
Producer	VIZ-ART Automation Europe

IR receiver + RS232

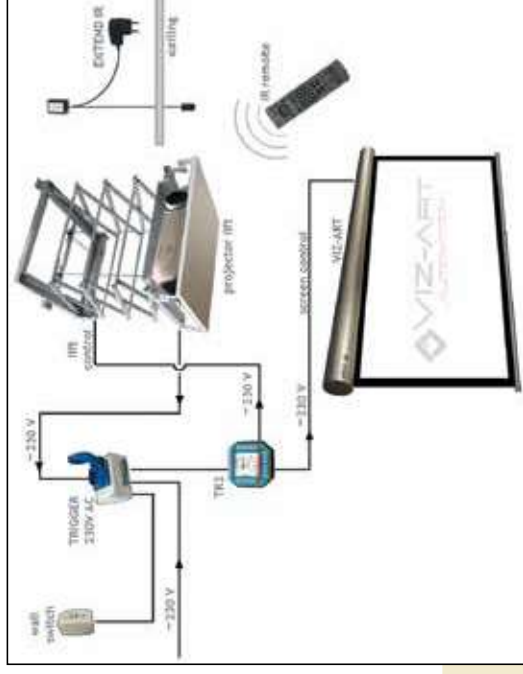


Self-learned IR receiver with RS-232 control option. Offered as control accessories for projector/plasma lifts and projection screens powered with 230V. Compatible with most of Central Control Systems and SMART Home Systems available.

TRIGGER 5-30V DC



Ideal solution for control projector lift, projection screen etc. Controlled via TRIGGER signal (in range between 5-30V DC) from AV equipment. Wired control 1 unit. To control more use TR-2 module.



Installation diagram with TRIGGER 230V AC and EXTEND IR.

EXTEND IR



IR signal extender, controls covered/installed/hidden in furniture AV equipment. Mostly used for projector lift operation when original remote control is required (standards RC5, RC6, NEC etc.).

TR2



Module required for simultaneous control of projector lift and projection screen i.e. Trigger 5-30V, Trigger 230V or RF radio receiver. Properly connected TR-2, controls from 2 up to 16 units. Easy installation. Often used as an extension of existing AV Central Control Systems.

TRIGGER 230V AC



Trigger 230V module controls wirelessly - max.8 RF radio receivers and wired 1 AV unit. TR-2 module compatible. Mostly used as an wireless extension of existing AV Central Control Systems. No extra cable installation needed.

RADIO remote touch 1

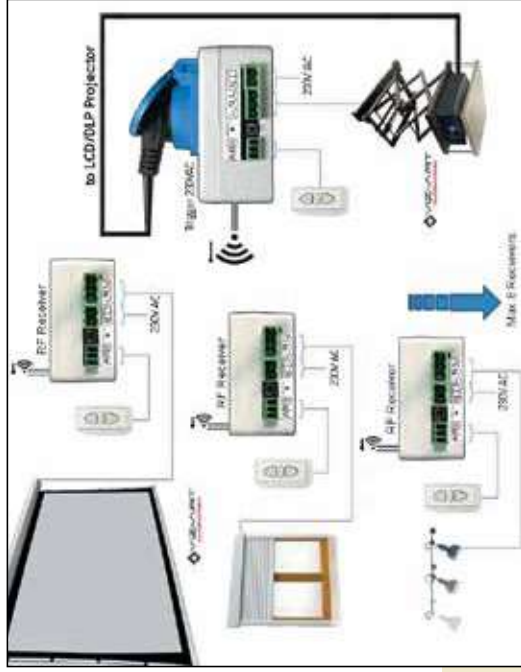


RF radio remote control. After button is pressed remote sends RF control code, confirmed with sound and LED diode signals. Range up to 30 meters. RADIO REMOTE TOUCH 1 is RF receiver compatible.

Built-in RF receiver



Together with Somfy remote control, used to control motorized projection screen. Somfy RF 1 and RF 5 remote control compatible. Operating range of the built-in RF receiver 30 meters from remote control.



Installation diagram with TRIGGER 230V AC and RF Receivers.

RF receiver



RF receiver controls AV equipment powered with 230V, home & office automation systems etc. Best for Central Control System extensions without any additional wiring. RADIO REMOTE TOUCH 1 remote control and Trigger 230V compatible.

RF remote control



1-channel Somfy remote control for controlling 1 unit or 1 group of AV units. 5-channel version controls max. 5 units or groups of AV units (projection screens, motorized lifts, blinds, curtains etc.) Somfy RF receiver and built-in Somfy RF receiver compatible.

RF receiver with buttons






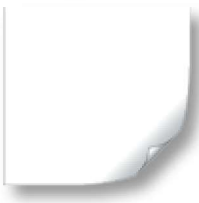





RF receiver with control buttons. Mostly used to control projection screens and projector lifts in meeting rooms. Somfy RF 1 and RF 5 remote control compatible. Operating range: 30 meters from remote control.











*We meet the highest expectations
of our customers by creating
new products and continuously developing.*





PROJECTION SURFACES















	Matt White	White Vision	Matt White Diamond	Professional Matt White S	Dual Grey	Cine Grey	Perforated MW	Dual	White Vision Frame
View									
Projection	front	front	front	front	front / rear	front	front - Audio Vision	front / rear	front
Reflection coefficient	1,0 Gain	1,0 Gain	1,0 Gain	1,1 Gain	2,6 Gain	0,8 Gain	1,0 Gain	1,5 Gain	1,0 Gain
Viewing angle	150°	150°	150°	150°	100°	170°	150°	120°	150°
Material weight	500g/m ²	450g/m ²	400g/m ²	830g/m ²	450g/m ²	490g/m ²	650g/m ²	650g/m ²	430g/m ²
Material thickness	0,50mm	0,32mm	0,35mm	0,7mm	0,32mm	0,50mm	0,50mm	0,50mm	0,30mm
Colour	mat white	mat white	mat white	mat white	grey mat	grey	mat white	mat white	mat white
Construction	3-layer strong	1-layer strong	2-layer strong	3-layer strong	1-layer strong	3-layer strong	perforated 1-layer strong	3-layer strong	1-layer strong
Back of projection surface	black	white	black	white	grey mat	black	white	white	white
Maintenance	water with mild detergent	water with mild detergent	water with mild detergent	water with mild detergent	water with mild detergent	water with mild detergent	water with mild detergent	water with mild detergent	water with mild detergent
Use in series	ELLIPSE, SUPER NOVA, MASKED	BUSINESS Plus	FRAME	ELLIPSE, SUPER NOVA, MASKED	FRAME, BUSINESS Plus, ELLIPSE	ELLIPSE, SUPER NOVA, MASKED	FRAME, ELLIPSE, SUPER NOVA, MASKED	MAX FRAME	FRAME
Maximum width of the screen at the	400cm (4:3) 500cm (16:9)	300cm (4:3) 380cm (16:9)	460cm (4:3) 600cm (16:9)	630cm (4:3) 840cm (16:9)	300cm (4:3) 400cm (16:9)	400cm (4:3) 500cm (16:9)	FRAME:300cm (4:3) 400cm (16:9);	660cm (4:3) 880cm (16:9)	480cm (4:3) 640cm (16:9)
Manufacturing width of the projection surface	320cm	238cm,	350cm	500cm	240cm,	320cm	238cm,	500cm,	366cm,

iPAD DOCKING STATIONS				
Name	Own weight (kg)	Compatibility	Colours	Applications
INFINITY iPad Frame	2,15	<ul style="list-style-type: none"> iPad Air iPad Air2 	<ul style="list-style-type: none"> white; black 	<ul style="list-style-type: none"> horizontally; vertically
INFINITY mini	1,4	<ul style="list-style-type: none"> iPad mini iPad mini 2 iPad mini 3 iPad mini 4 	<ul style="list-style-type: none"> white; black 	<ul style="list-style-type: none"> horizontally; vertically

ELECTRICAL SCREENS								
Name	Projection surface	Width of base (cm)	Image aspect ratio	Casing	Casing dimensions (mm)	Control system	Installation	Product
ELLIPSE	Matt White, Cine Grey, Professional MW	600	4:3 16:9 16:10 etc.	aluminium, silver, elliptical shape,	<ul style="list-style-type: none"> W - 130 H - 110 	<ul style="list-style-type: none"> wall switch, option: IR, RF, Trigger, RS232 	ceiling, wall	
ELLIPSE TENSION	Matt White, Cine Grey	600	4:3 16:9 16:10 etc.	aluminium, silver, elliptical shape,	<ul style="list-style-type: none"> W - 130 H - 110 	<ul style="list-style-type: none"> wall switch, option: IR, RF, Trigger, RS232 	ceiling, wall	
SUPER NOVA	Matt White, Cine Grey, Perforated, Professional MW	600	4:3 16:9 16:10 etc.	aluminium, powder PIANO coated,	<ul style="list-style-type: none"> W - 130 H - 115 	<ul style="list-style-type: none"> wall switch, option: IR, RF, Trigger, RS232 	ceiling, wall	
SUPER NOVA TENSION	Matt White, Cine Grey, Perforated	600	4:3 16:9 16:10 etc.	aluminium, powder PIANO coated,	<ul style="list-style-type: none"> W - 130 H - 115 	<ul style="list-style-type: none"> wall switch, option: IR, RF, Trigger, RS232 	ceiling, wall	
MASKED	Matt White, Cine Grey, Perforated, Professional MW	650	4:3 16:9 16:10 etc.	aluminium, powder coated,	<ul style="list-style-type: none"> W - 139 H - 149 	<ul style="list-style-type: none"> wall switch, option: IR, RF, Trigger, RS232 	in ceiling	
MASKED TENSION	Matt White, Cine Grey	650	4:3 16:9 16:10 etc.	aluminium, powder coated,	<ul style="list-style-type: none"> W - 139 H - 149 	<ul style="list-style-type: none"> wall switch, option: IR, RF, Trigger, RS232 	in ceiling	
FLOOR UP SCREEN	-	350	4:3 16:9 16:10 etc.	-	-	<ul style="list-style-type: none"> wall switch, option: IR, RF, Trigger, RS232 	-	
BUSINESS Plus	White Vision	300	4:3 16:9 16:10 etc.	aluminium, white satin; drop shape	<ul style="list-style-type: none"> W - 90 H - 90 	<ul style="list-style-type: none"> wall switch, option: IR, RF, Trigger, RS232 	ceiling, wall	

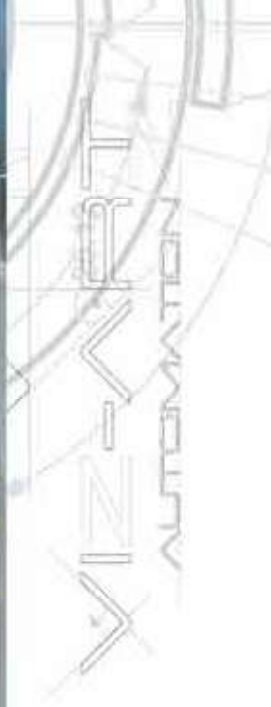
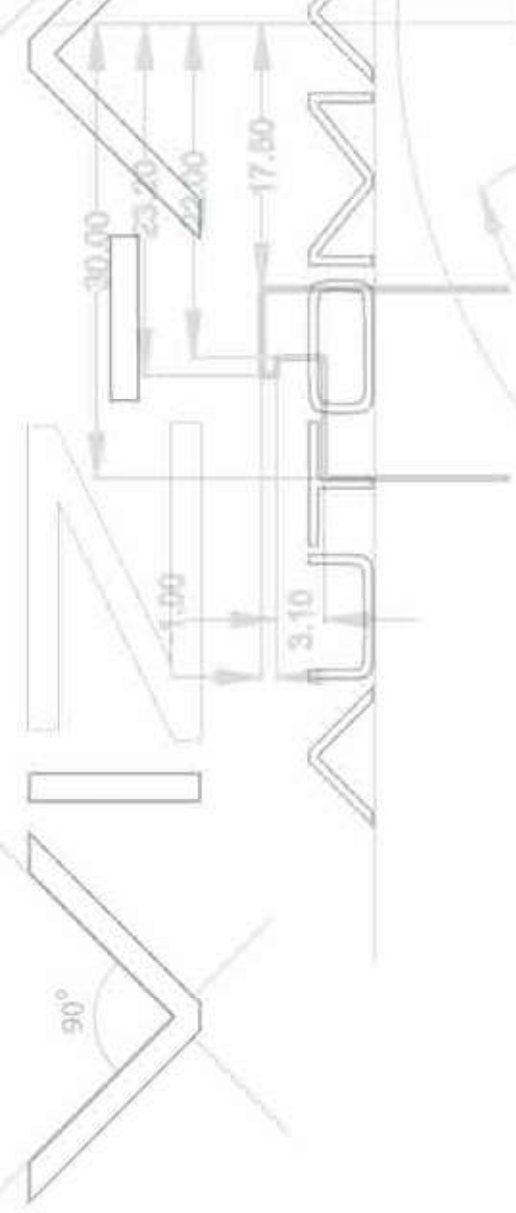
FRAME SCREENS							
Name	Projection surface	Width of base (cm)	Image aspect ratio	Frame dimensions (mm)	Projection	Installation	Product
FRAME	<ul style="list-style-type: none"> White Vision Dual Grey Perforated MW 	600	4:3 16:9 16:10 etc	black	front	wall	
MAXFRAME	<ul style="list-style-type: none"> Dual 	customisable	4:3 16:9 16:10 etc	steel	front	wall	

SCREEN LIFTS							
Name	Capacity (kg)	Maximum width of screen (cm)	Installation	Distance to ceiling/wall (cm)	Control	Own weight (kg)	Product
SCREEN-LIFT	25	350	wall	-	<ul style="list-style-type: none"> wall switch option: IR, RF, Trigger, RS232 	8 - 12	
UP-SCREEN	customisable	customisable	<ul style="list-style-type: none"> ceiling wall 	-	<ul style="list-style-type: none"> wall switch option: IR, RF, Trigger, RS232 	-	

TV LIFTS							
Name	Capacity (kg)	Diagonal of TV	Installation	Control	Own weight (kg)	Extension (mm)	Product
ART-LIFT S	27	to 37"	wall	<ul style="list-style-type: none"> witch key option: IR, RF, Trigger, RS232 	12	544	
ART-LIFT M	27	to 46"	wall	<ul style="list-style-type: none"> witch key option: IR, RF, Trigger, RS232 	13	684	
ART-LIFT HD L	40	to 65"	wall	<ul style="list-style-type: none"> witch key option: IR, RF, Trigger, RS232 	15	824	
ART-LIFT HD XL	40	to 85"	wall	<ul style="list-style-type: none"> witch key option: IR, RF, Trigger, RS232 	16	1104	
V-LIFT 46	70	26" - 46"	<ul style="list-style-type: none"> in furniture wall etc. 	<ul style="list-style-type: none"> witch key option: IR, RF, Trigger, RS232 	36	710	
VMAX-LIFT 95	70	26" - 95"	<ul style="list-style-type: none"> ceiling in furniture etc. 	<ul style="list-style-type: none"> witch key option: IR, RF, Trigger, RS232 	60	1400	
SIDE-LIFT 65	50	to 65"	<ul style="list-style-type: none"> in furniture wall etc. 	<ul style="list-style-type: none"> witch key option: IR, RF, Trigger, RS232 	25	1400	
CP-LIFT S	45	to 46"	ceiling	<ul style="list-style-type: none"> wall switch option: IR, RF, Trigger, RS232 	68	-	
CP-LIFT M	45	to 65"	ceiling	<ul style="list-style-type: none"> wall switch option: IR, RF, Trigger, RS232 	90	-	
CP-LIFT L	50	to 80"	ceiling	<ul style="list-style-type: none"> wall switch option: IR, RF, Trigger, RS232 	101	-	
ADVANCED 17	8,5	to 17"	<ul style="list-style-type: none"> in furniture wall etc. 	<ul style="list-style-type: none"> RS232 wall switch integrated with the lift 	16	-	
ADVANCED 19	8,5	to 19"	<ul style="list-style-type: none"> in furniture wall etc. 	<ul style="list-style-type: none"> RS232 wall switch integrated with the lift 	17	-	
ADVANCED 24	8,5	to 24"	<ul style="list-style-type: none"> in furniture wall etc. 	<ul style="list-style-type: none"> RS232 wall switch integrated with the lift 	18	-	
SMARTBOARD LIFT	70	to 90"	wall	<ul style="list-style-type: none"> switch key option: IR, RF, Trigger, RS232 	16,5	410	

PROJECTOR LIFTS							Product
Name	Capacity (kg)	Extension(cm)	Height (mm)	Control	Own weight (kg)	Dimensions (mm)	Installation
SIMPLE Slim 15/350	15	35	16 + H of the projector	• wall switch, • option: IR, RF, Trigger, RS232	16	• D 680 • W 608	ceiling
SIMPLE Slim 15/720	15	72	34 + H of the projector	• wall switch, • option: IR, RF, Trigger, RS232	18	• D 680 • W 608	ceiling
SIMPLE Slim 15/1100	15	110	52 + H of the projector	• wall switch, • option: IR, RF, Trigger, RS232	20	• D 680 • W 608	ceiling
SIMPLE Slim 15/1440	15	144	69 + H of the projector	• wall switch, • option: IR, RF, Trigger, RS232	22	• D 680 • W 608	ceiling
SPAV 30/420	30	42	128 + H projek-tora	• wall switch, • option: IR, RF, Trigger, RS232	26	• D 630 • W 527	ceiling
SPAV 30/780	30	78	186 + H of the projector	• wall switch, • option: IR, RF, Trigger, RS232	29	• D 630 • W 527	ceiling
SPAV 30/1560	30	156	302 + H of the projector	• wall switch, • option: IR, RF, Trigger, RS232	35	• D 630 • W 527	ceiling
SPAV 30/1960	30	196	359 + H of the projector	• wall switch, • option: IR, RF, Trigger, RS232	38	• D 630 • W 527	ceiling
SPAV 30/2800	30	280	475 + H of the projector	• wall switch, • option: IR, RF, Trigger, RS232	44	• D 630 • W 527	ceiling
SPAV 30/3500	30	350	591 + H of the projector	• wall switch, • option: IR, RF, Trigger, RS232	50	• D 630 • W 527	ceiling
SPAV 30/4200	30	420	650 + H of the projector	• wall switch, • option: IR, RF, Trigger, RS232	53	• D 630 • W 527	ceiling
SPAVMAX 60/420	60	42	128 + H of the projector	• wall switch, • option: IR, RF, Trigger, RS232	31	• D 658 • W 527	ceiling

Name	Capacity (kg)	Extension(cm)	Height (mm)	Control	Own weight (kg)	Dimensions (mm)	Installation	Product
SPAVMAX 60/780	60	78	186 + H of the projector	• wall switch, • option: IR, RF, Trigger, RS232	34	• D 658 • W 527	ceiling	
SPAVMAX 60/1560	60	156	302 + H of the projector	• wall switch, • option: IR, RF, Trigger, RS232	40	• D 658 • W 527	ceiling	
SPAVMAX 60/1960	60	196	359 + H of the projector	• wall switch, • option: IR, RF, Trigger, RS232	43	• D 658 • W 527	ceiling	
SPAVMAX 60/2800	60	280	475 + H of the projector	• wall switch, • option: IR, RF, Trigger, RS232	49	• D 658 • W 527	ceiling	
SPAVMAX 60/3500	60	350	591 + H of the projector	• wall switch, • option: IR, RF, Trigger, RS232	55	• D 658 • W 527	ceiling	
SPAVMAX 60/4200	60	420	650 + H of the projector	• wall switch, • option: IR, RF, Trigger, RS232	61	• D 658 • W 527	ceiling	
MAX-LIFT 130/4500	130	450	916 + H of the projector	• wall switch, • option: IR, RF, Trigger, RS232	122	• D 998 • W 900	ceiling	
MAX-LIFT 130/6500	130	650	1066 + H of the projector	• wall switch, • option: IR, RF, Trigger, RS232	140	• D 998 • W 900	ceiling	
SLIM-LIFT 12/1640	12	164	65 + H of the projector	• wall switch, • option: IR, RF, Trigger, RS232	24	• D 676 • W 548	ceiling	
SLIM-LIFT 10/3250	10	325	133 + H of the projector	• wall switch, • option: IR, RF, Trigger, RS232	30	• D 620 • W 520	ceiling	
CINE-LIFT	8	70	210	• wall switch, • option: IR, RF, Trigger, RS232	27	• D 627 • W 627	ceiling	
CINEMAX -LIFT	20	70	298	• wall switch, • option: IR, RF, Trigger, RS232	31	• D 667 • W 647	ceiling	
UP-LIFT	30	50	741	• wall switch, • option: IR, RF, Trigger, RS232	25	• H 741 • W 527 • D 560	in furniture	



www.viz-art.eu