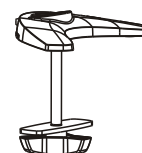
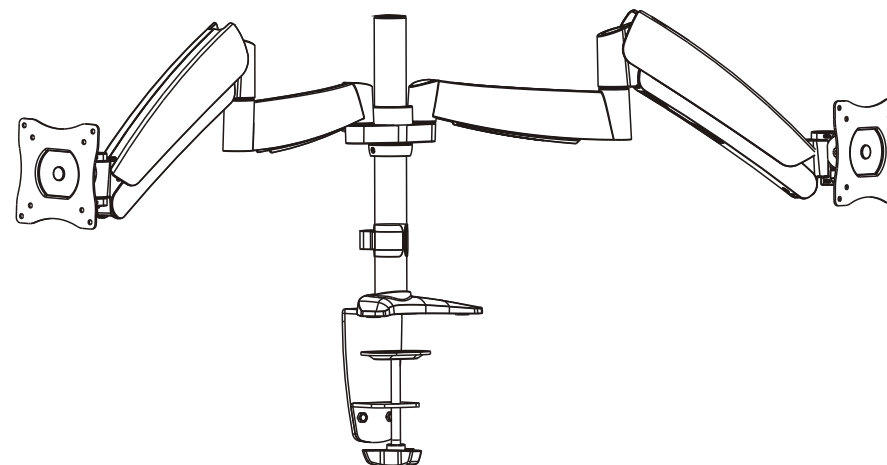


reflecta gmbh
Mercurstrasse 8
72184 Eutingen i.G.
Germany




mail@reflecta.de
www.reflecta.de

INSTALLATION MANUAL

Counterbalance LCD Desk Mount



**CAUTION: DO NOT EXCEED
RATED LISTED WEIGHT. SERIOUS
INJURY OR PROPERTY DAMAGE
MAY OCCUR!**

23261	 75x75 100x100	 27" MAX	 9kgx2 (19.8lbsx2) RATED
--------------	--	---	---

ISSUED: AUG. 2013

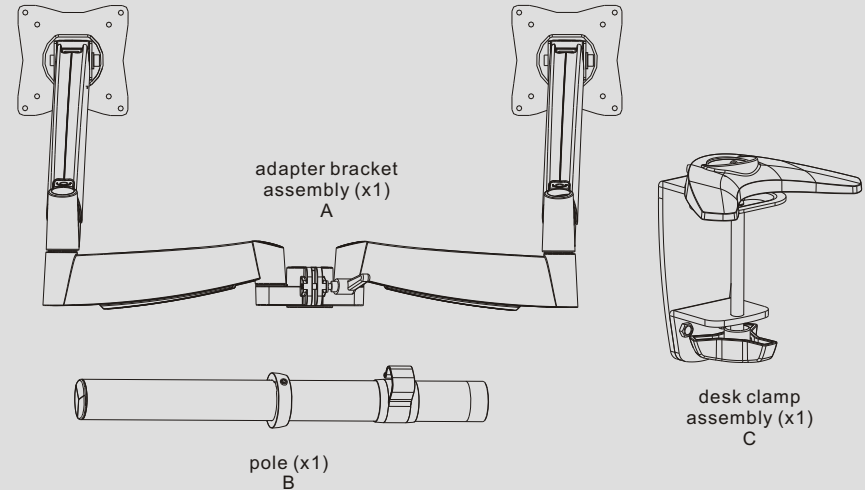
NOTE: Read the entire instruction manual before you start installation and assembly.

WARNING

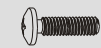
- Do not begin the installation until you have read and understood all the instructions and warnings contained in this installation sheet. If you have any questions regarding any of the instructions or warnings, please contact your local distributor.
- This mounting bracket was designed to be installed and utilised **ONLY** as specified in this manual. Improper installation of this product may cause damage or serious injury.
- Make sure that the supporting surface will safely support the combined weight of the equipment and all attached hardware and components.
- Always use an assistant or mechanical lifting equipment to safely lift and position the equipment.
- Tighten screws firmly, but do not over tighten. Over tightening can cause damage to the items, This greatly reduces their holding power.
- This product is intended for indoor use only. Using this product outdoors could lead to product failure and personal injury.

Component Checklist

IMPORTANT: Ensure that you have received all parts according to the component checklist prior to installation. If any parts are missing or faulty, telephone your local distributor for a replacement.



Package Mx2



M4x14 (x4)
M-A



M5x14 (x4)
M-B



D5 washer (x4)
M-C

Package P



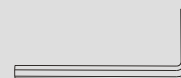
3mm Allen key (x1)
P-A



4mm Allen key (x1)
P-B



5mm Allen key (x1)
P-C



6mm Allen key (x1)
P-D

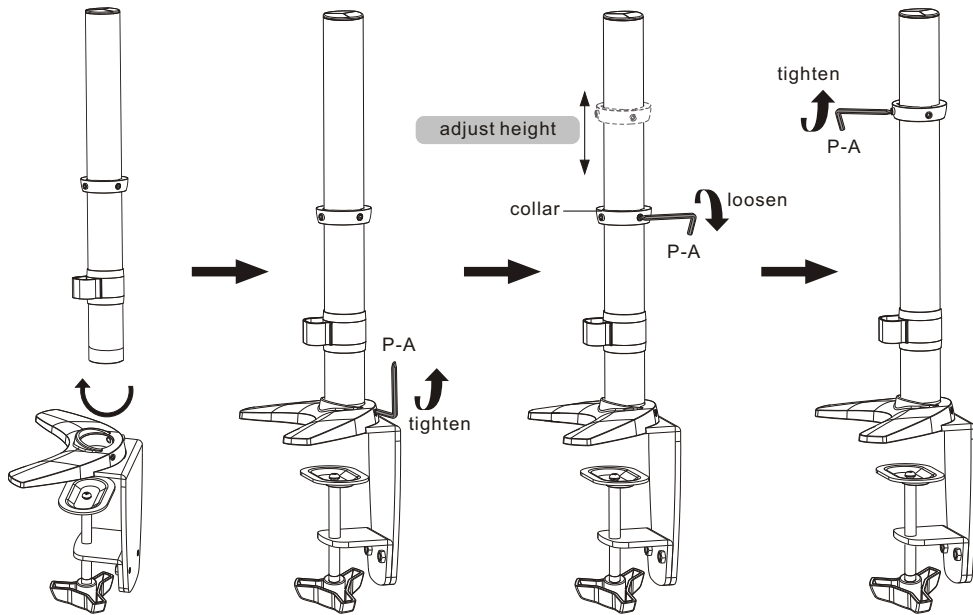


base plate (x1)
P-E



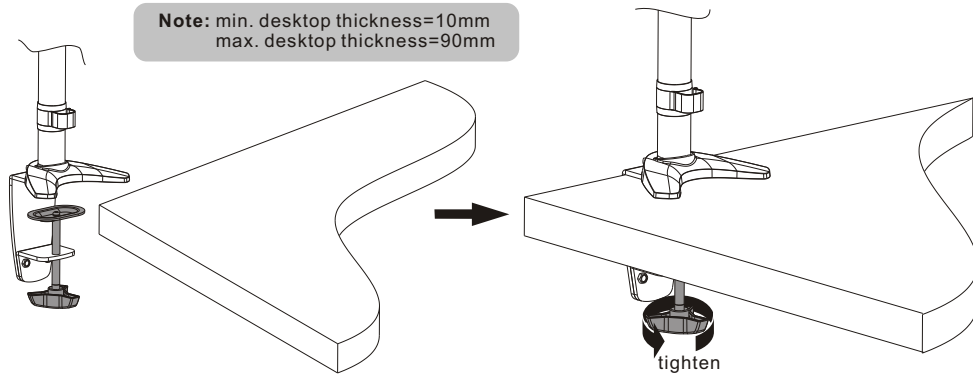
pad (x1)
P-F

1. Installing the Pole and the Desk Clamp Assembly



2. Attaching to the Desk

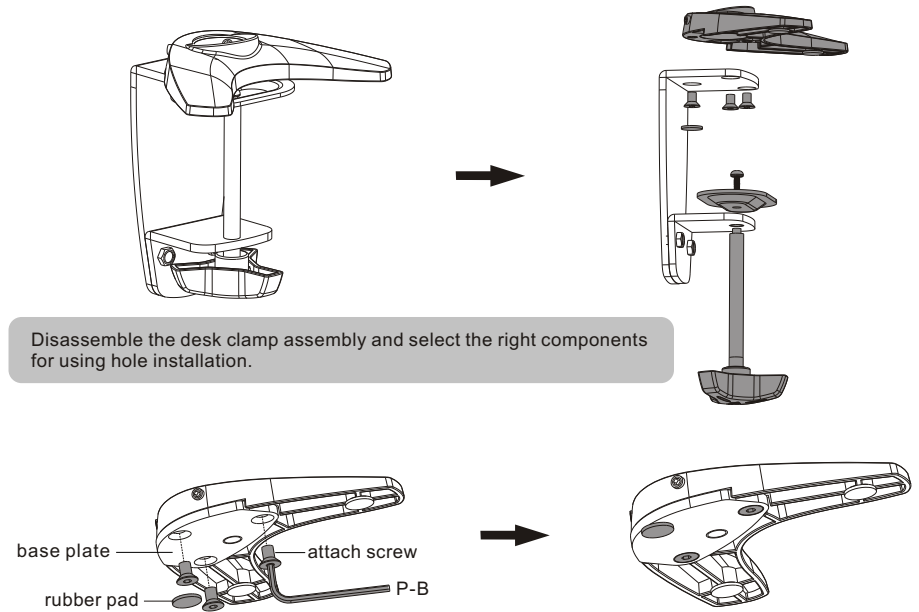
2a. Edge Installation



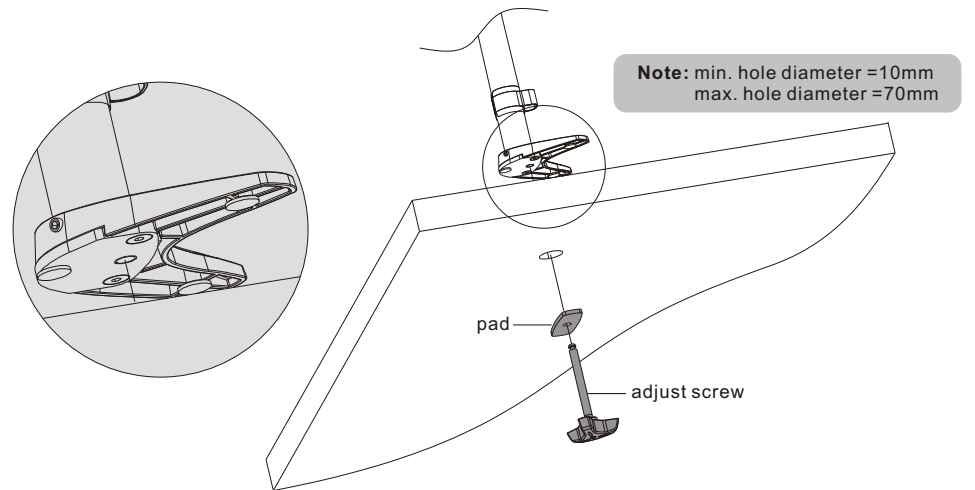
- Determine approximate location for mount keeping in mind display size, height adjustment and pitch/roll requirements.
- Slip the desk mount assembly over the edge of desk so that clamp fully contacts desk edge.
- Turn the knob to make clamp fit to desk edge, then secure it tightly.

2. Attaching to the Desk

2b. Hole Installation

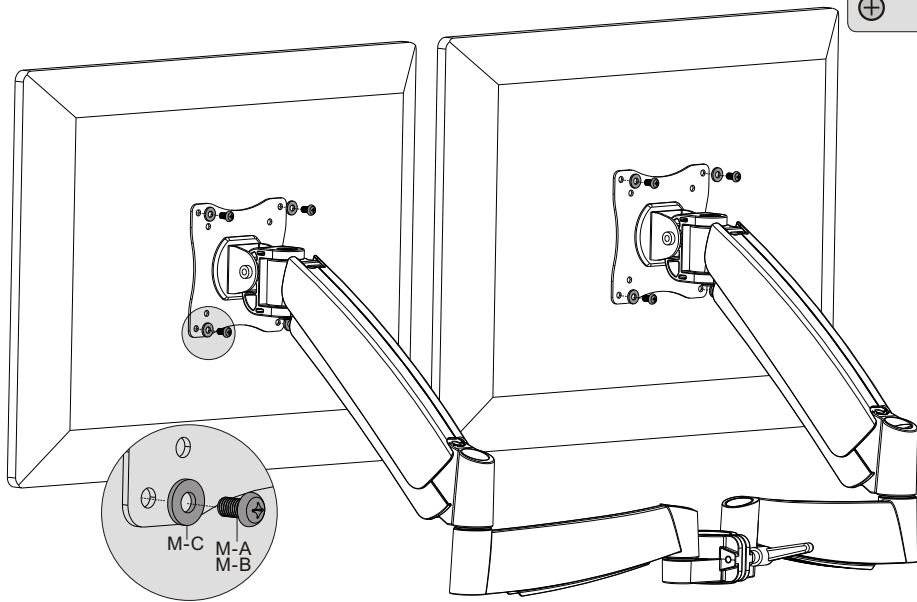
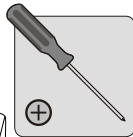
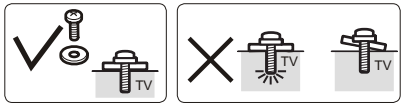
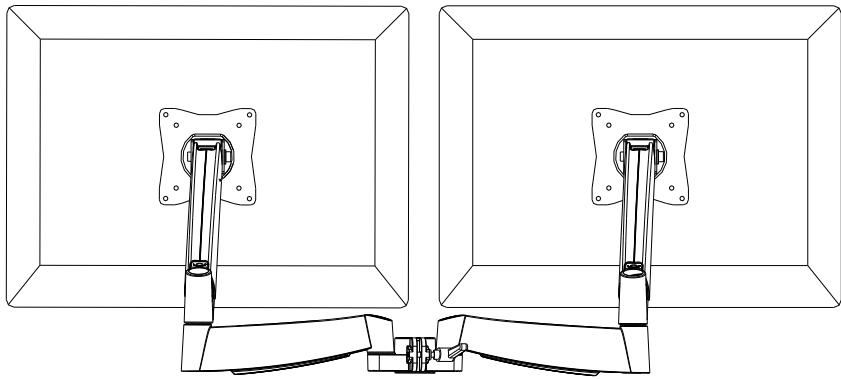


Re-install the base plate with three retained attach screws, then tighten securely.



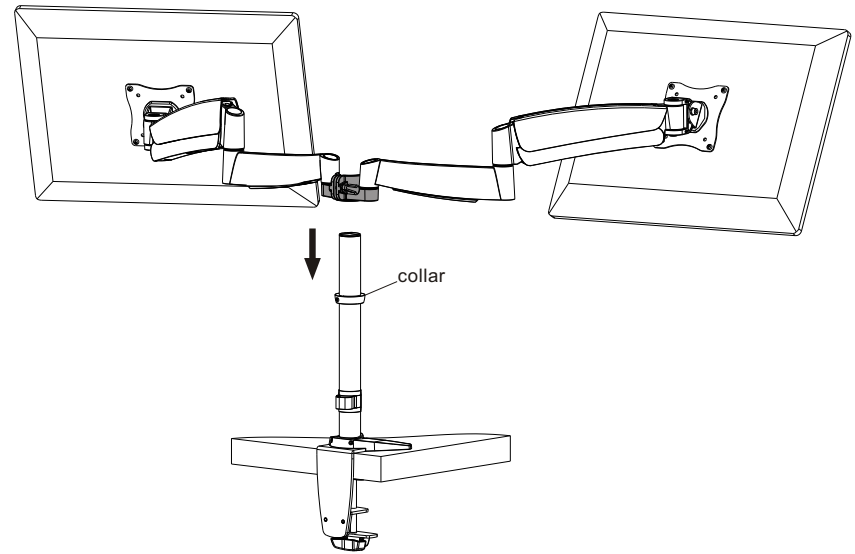
Insert the adjust screw into base plate through the hole. Then using the adjust screw to fix and tighten it securely.

3. Installing the Adapter Bracket

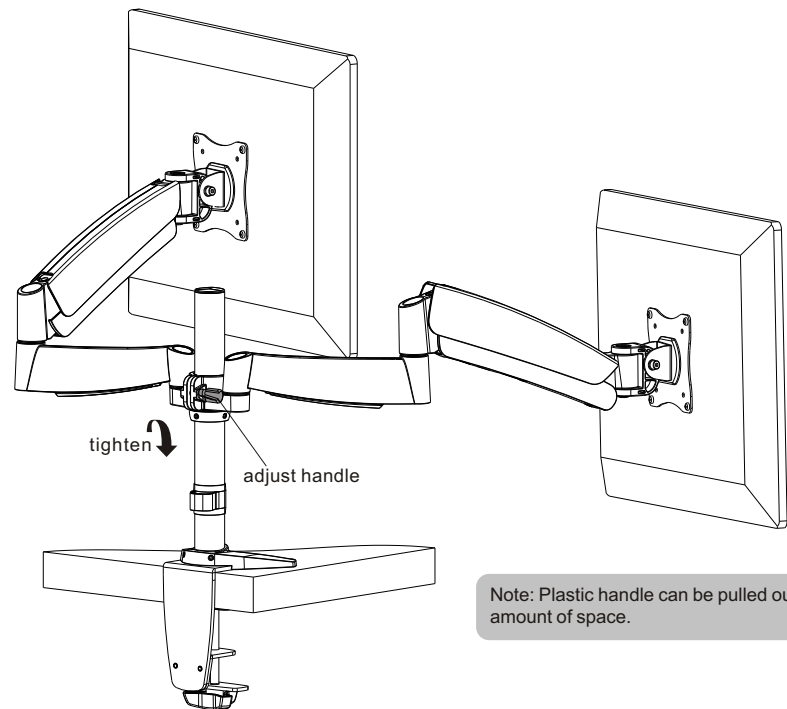


Screw the adapter bracket assembly onto the display.
⚠ Tighten all screws but do not over tighten.

4. Installing the Adapter Bracket Assembly (attached display)

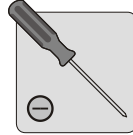
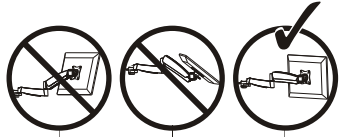


Insert the adapter bracket assembly (attached display) into the pole until it touches the collar.

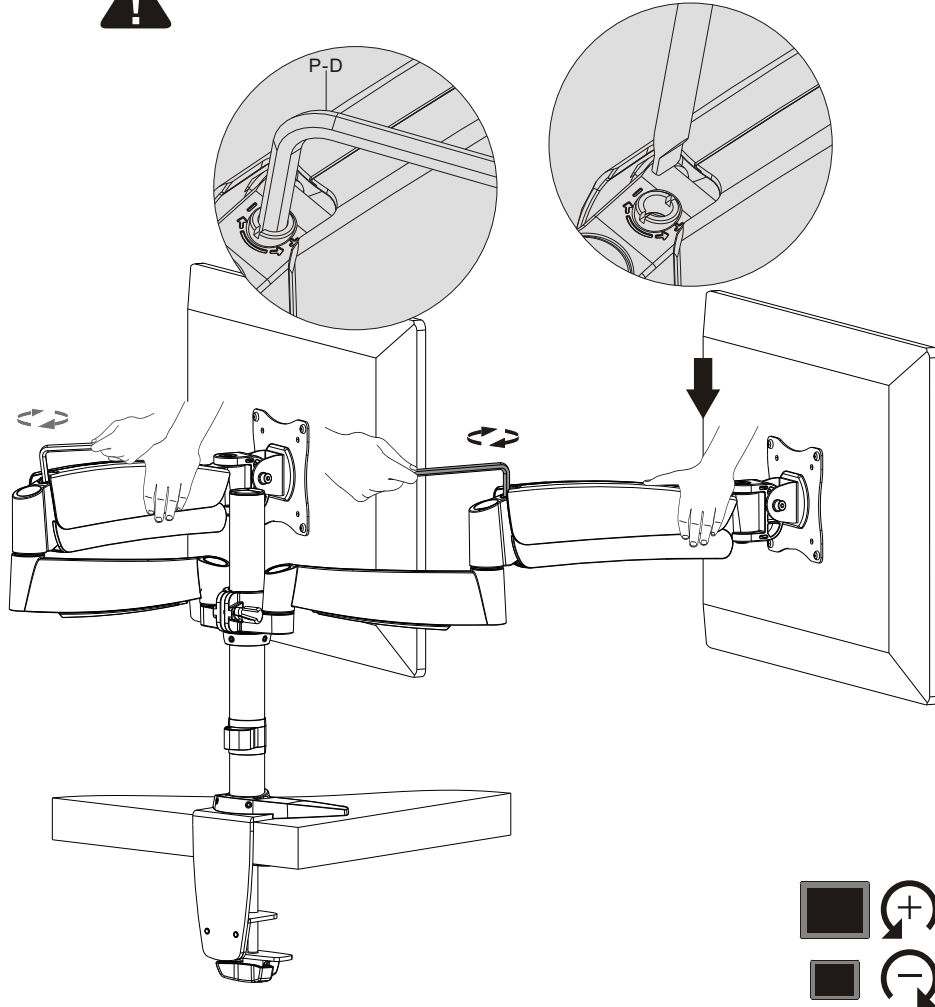


Note: Plastic handle can be pulled out due to a limited amount of space.

5. Tension Adjustment



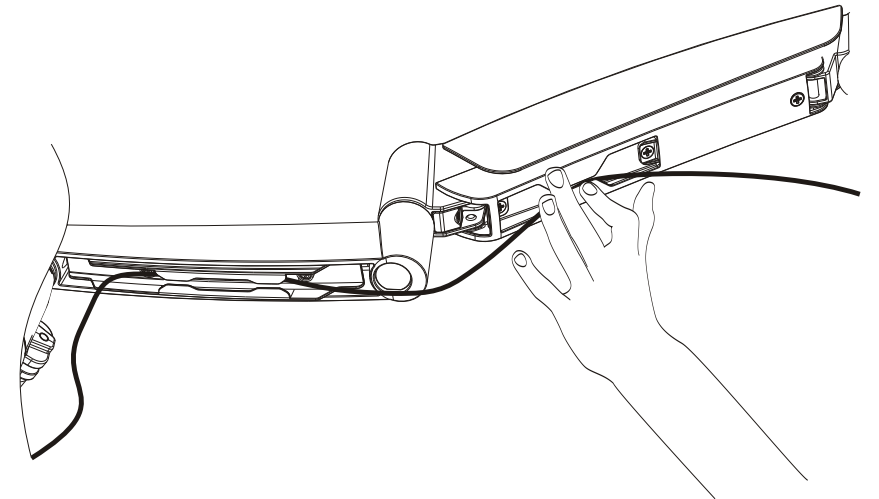
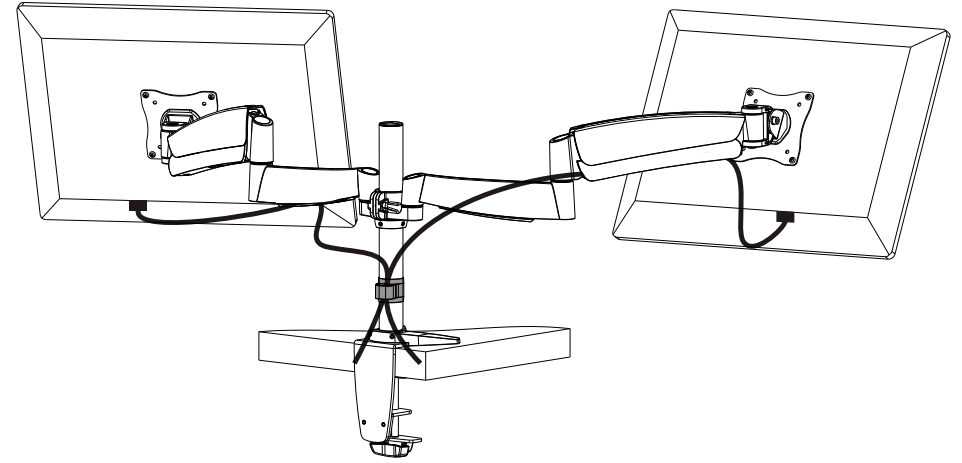
Please tighten the socket set screw if the joints make popping sounds during use.



Please keep the forearm level when to adjust pressure. Use a proper Allen key to slightly loosen or tighten the adjustment screw as necessary.

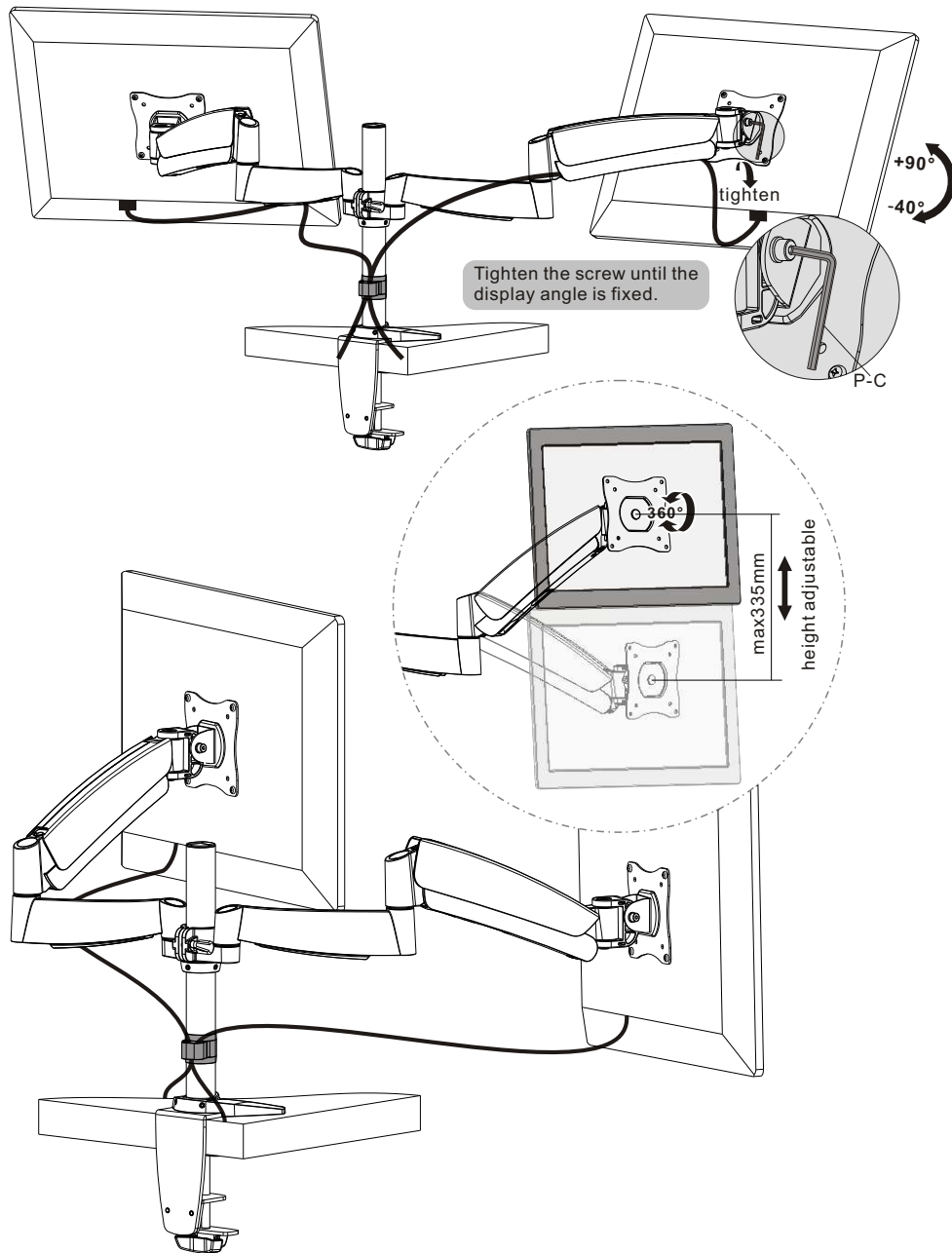
If display settles on its own, rotate adjustment screw towards the "+" symbol.
If display rises on its own, rotate adjustment screw towards the "-" symbol.

6. Cable Management



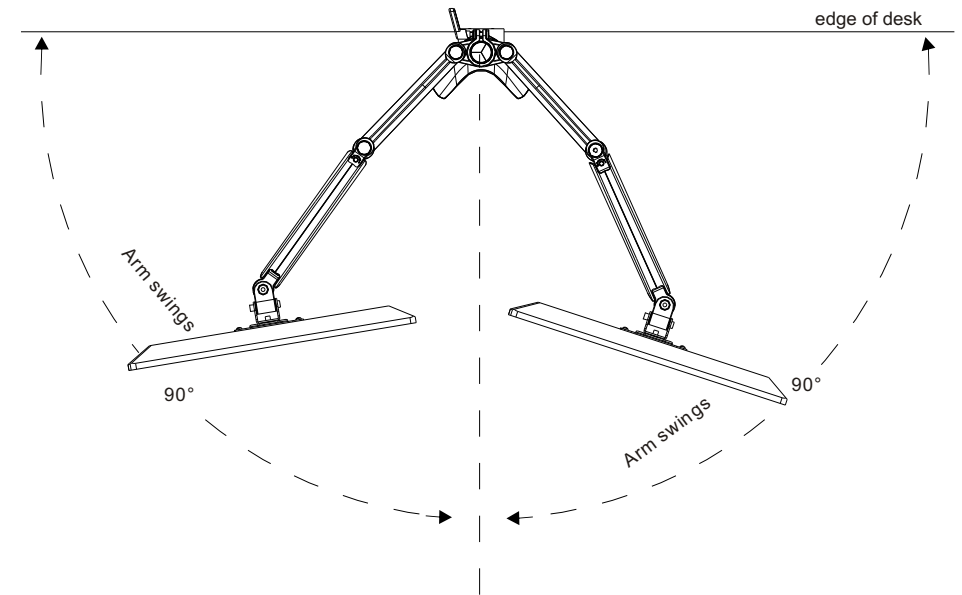
Connect the cables to the display, and press the cable cover inward to route the cables through the space.
Note: Leave slack in the cable for arm movement.

7. Adjustment



Adjust to the desired position or tilt.

8. Pivot Adjustment Range



Swinging the arm beyond this range may result in the mount slipping off the desk causing serious injury!

Maintenance

- Check that the bracket is secure and safe to use at regular intervals (at least every three months).
- Please contact your distributor if you have any questions.