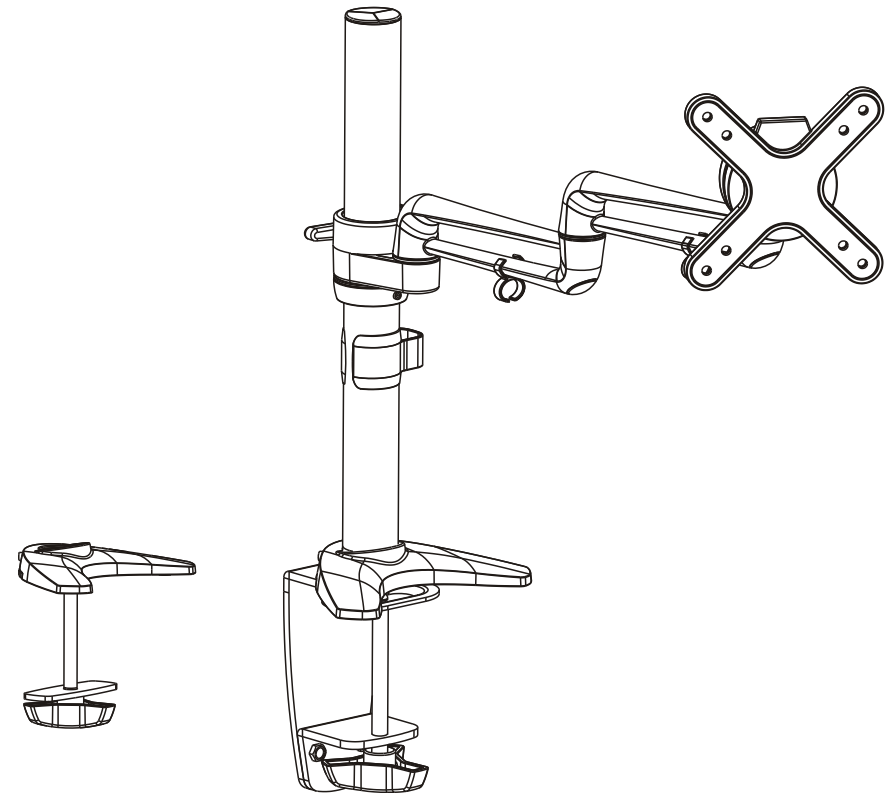


reflecta gmbh
Mercurstrasse 8
72184 Eutingen i.G.
Germany




mail@reflecta.de
www.reflecta.de

INSTALLATION MANUAL

LCD Desk Mount



CAUTION: DO NOT EXCEED
RATED LISTED WEIGHT. SERIOUS
INJURY OR PROPERTY DAMAGE
MAY OCCUR!

23250	 75x75 100x100	 27" MAX	 8kg (17.6lbs) RATED
-------	--	--	---

ISSUED: OCT. 2014

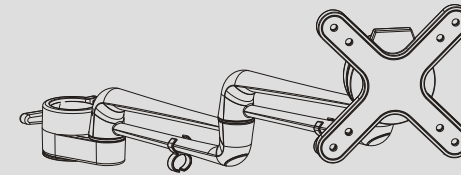
NOTE: Read the entire instruction manual before you start installation and assembly.

WARNING

- Do not begin the installation until you have read and understood all the instructions and warnings contained in this installation sheet. If you have any questions regarding any of the instructions or warnings, please contact your local distributor.
- This mounting bracket was designed to be installed and utilised **ONLY** as specified in this manual. Improper installation of this product may cause damage or serious injury.
- Make sure that the supporting surface will safely support the combined weight of the equipment and all attached hardware and components.
- Always use an assistant or mechanical lifting equipment to safely lift and position the equipment.
- Tighten screws firmly, but do not over tighten. Over tightening can cause damage to the items, This greatly reduces their holding power.
- This product is intended for indoor use only. Using this product outdoors could lead to product failure and personal injury.

Component Checklist

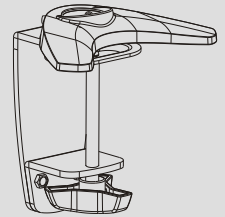
IMPORTANT: Ensure that you have received all parts according to the component checklist prior to installation. If any parts are missing or faulty, telephone your local distributor for a replacement.



adapter bracket
assembly (x1)
A



pole (x1)
B



desk clamp
assembly (x1)
C

Package M



M4x14 (x4)
M-A



M5x14 (x4)
M-B



D5 washer (x4)
M-C

Package P



3mm Allen key (x1)
P-A



4mm Allen key (x1)
P-B

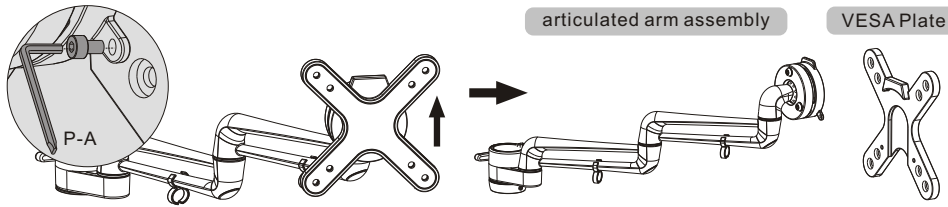


base plate (x1)
P-C

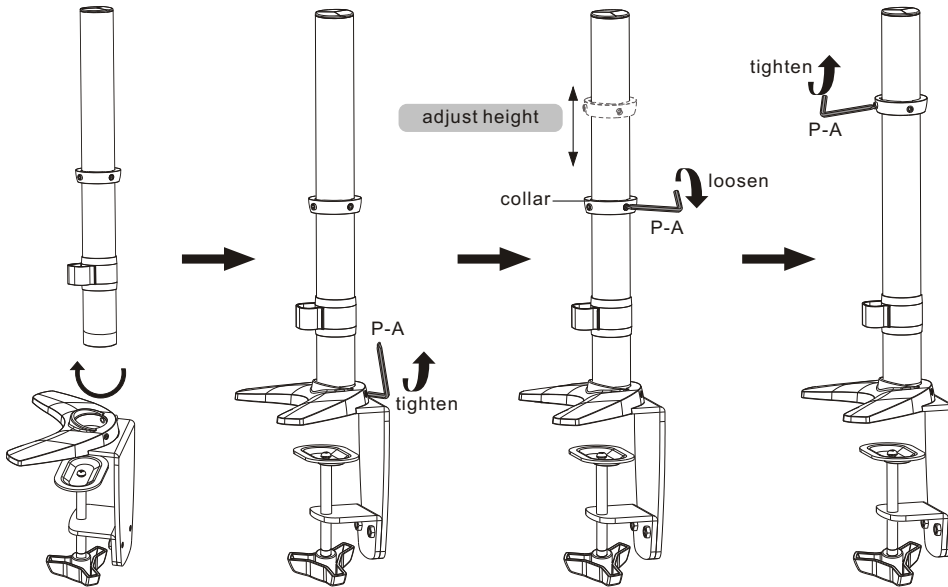


pad (x1)
P-D

1. Removing the VESA Plate

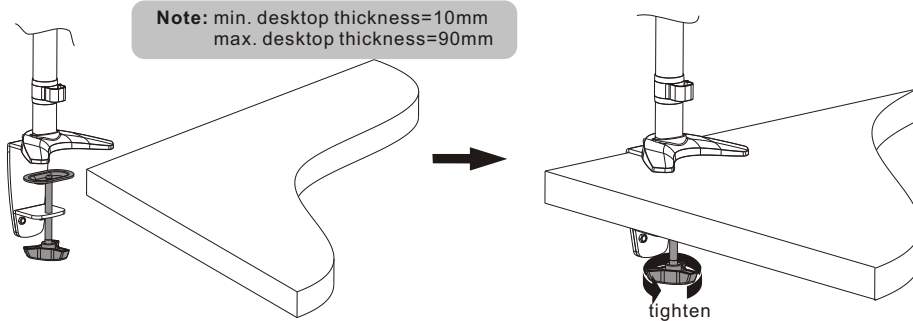


2. Assembling the Pole and Desk Clamp



3. Attaching to the Desk

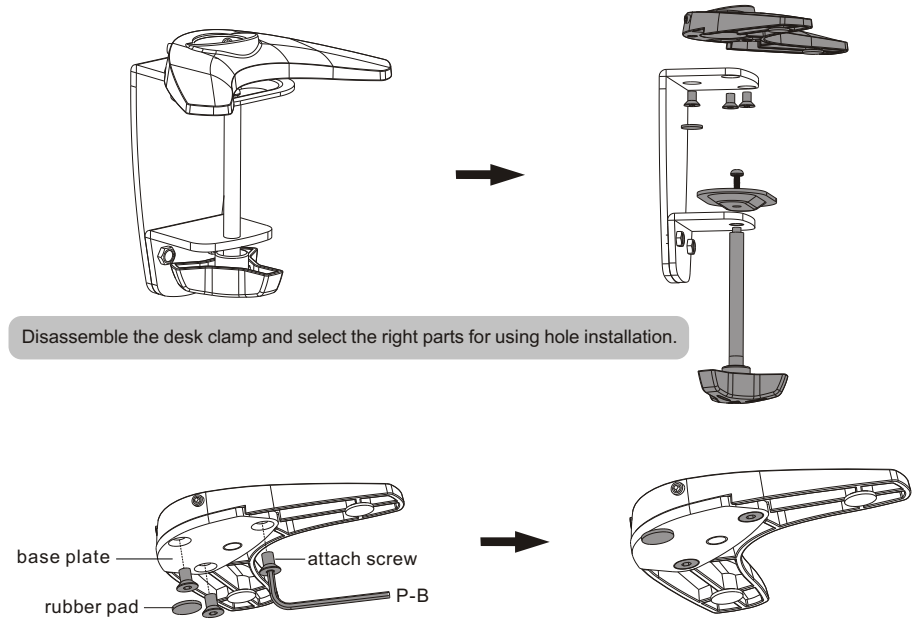
3a. Edge Installation



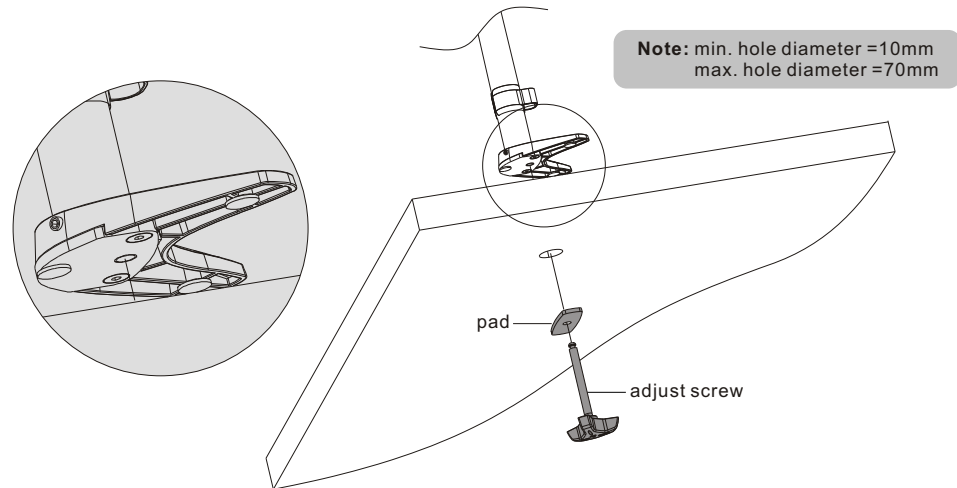
Turn the knob to make clamp fit to desk edge, then secure it tightly.

3. Attaching to the Desk

3b. Hole Installation



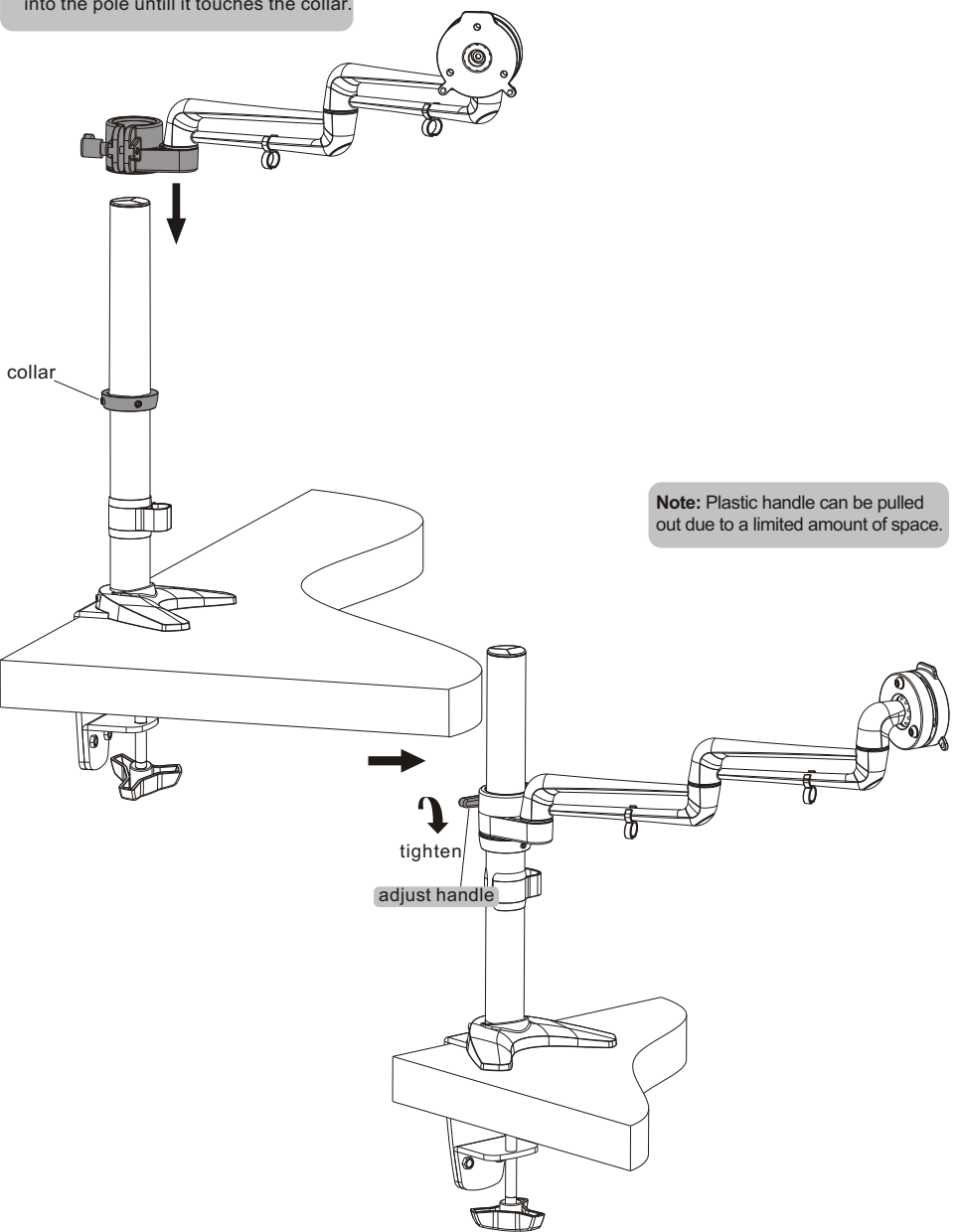
Re-install the base plate with three retained screws, then tighten securely.



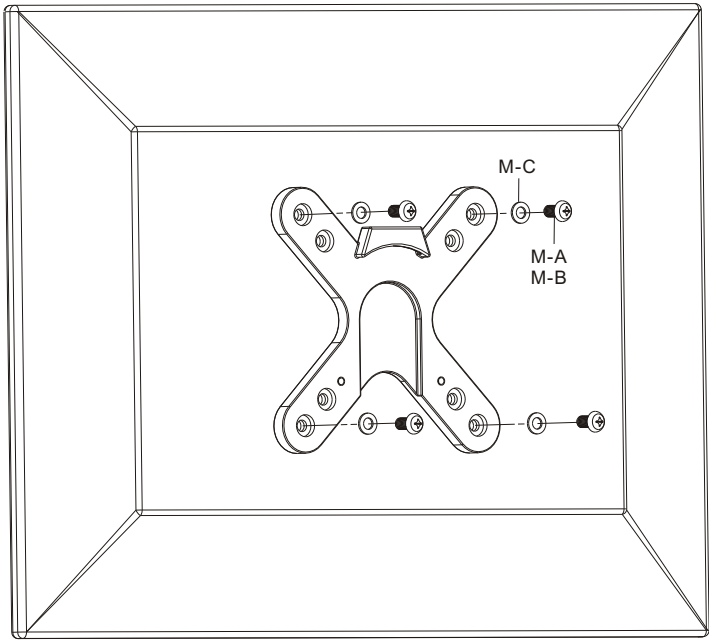
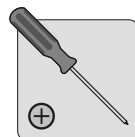
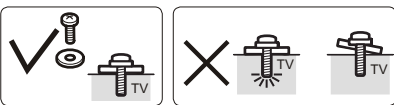
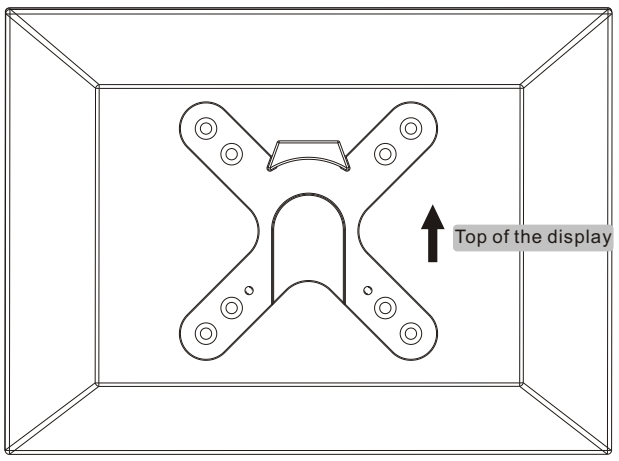
Insert the adjust screw into base plate through the hole. Then using the adjust screw to fix and tighten it securely.

4. Install Articulated Arm Assembly

Insert the articulated arm assembly into the pole until it touches the collar.

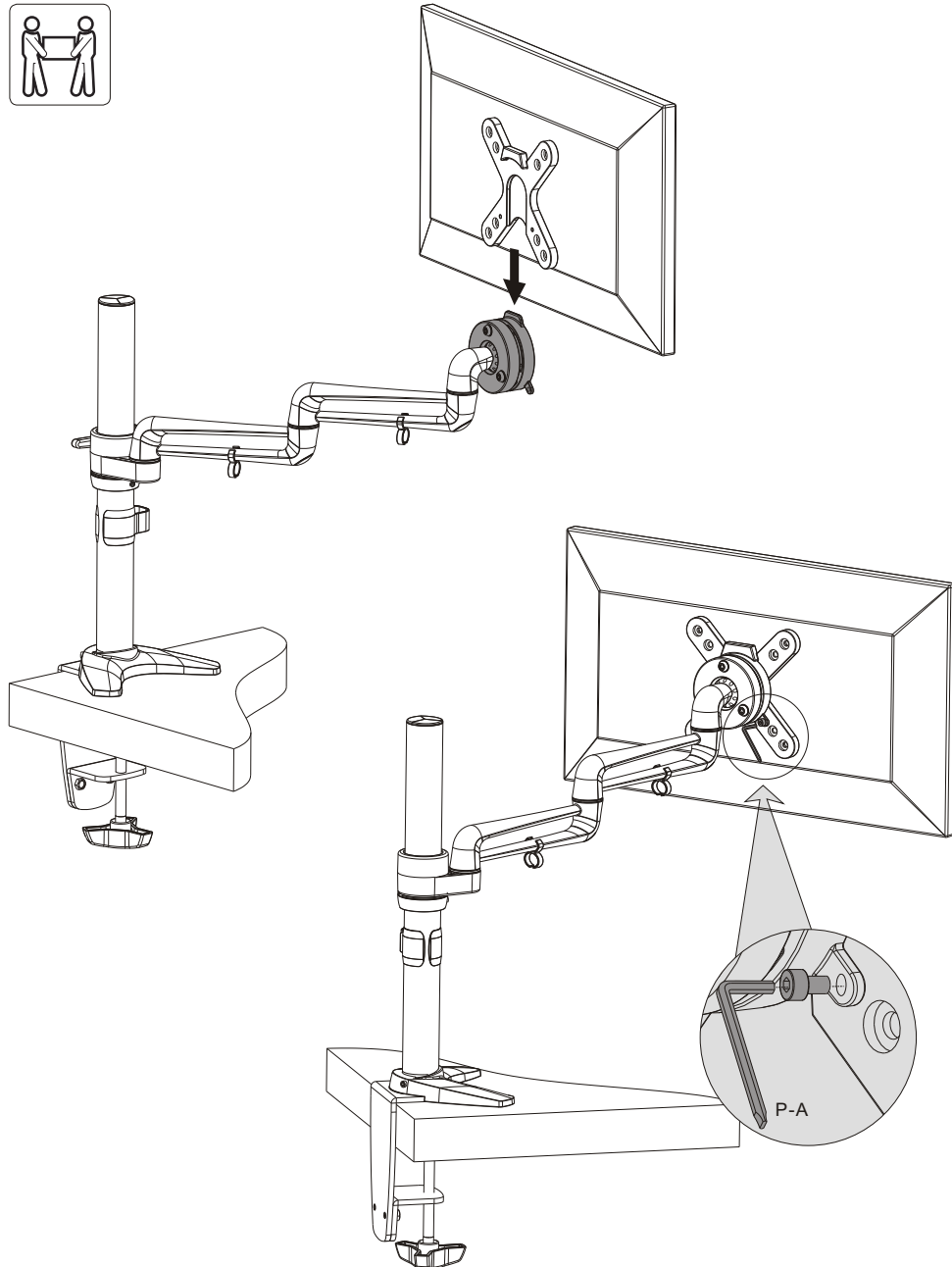


5. Installing the VESA Plate



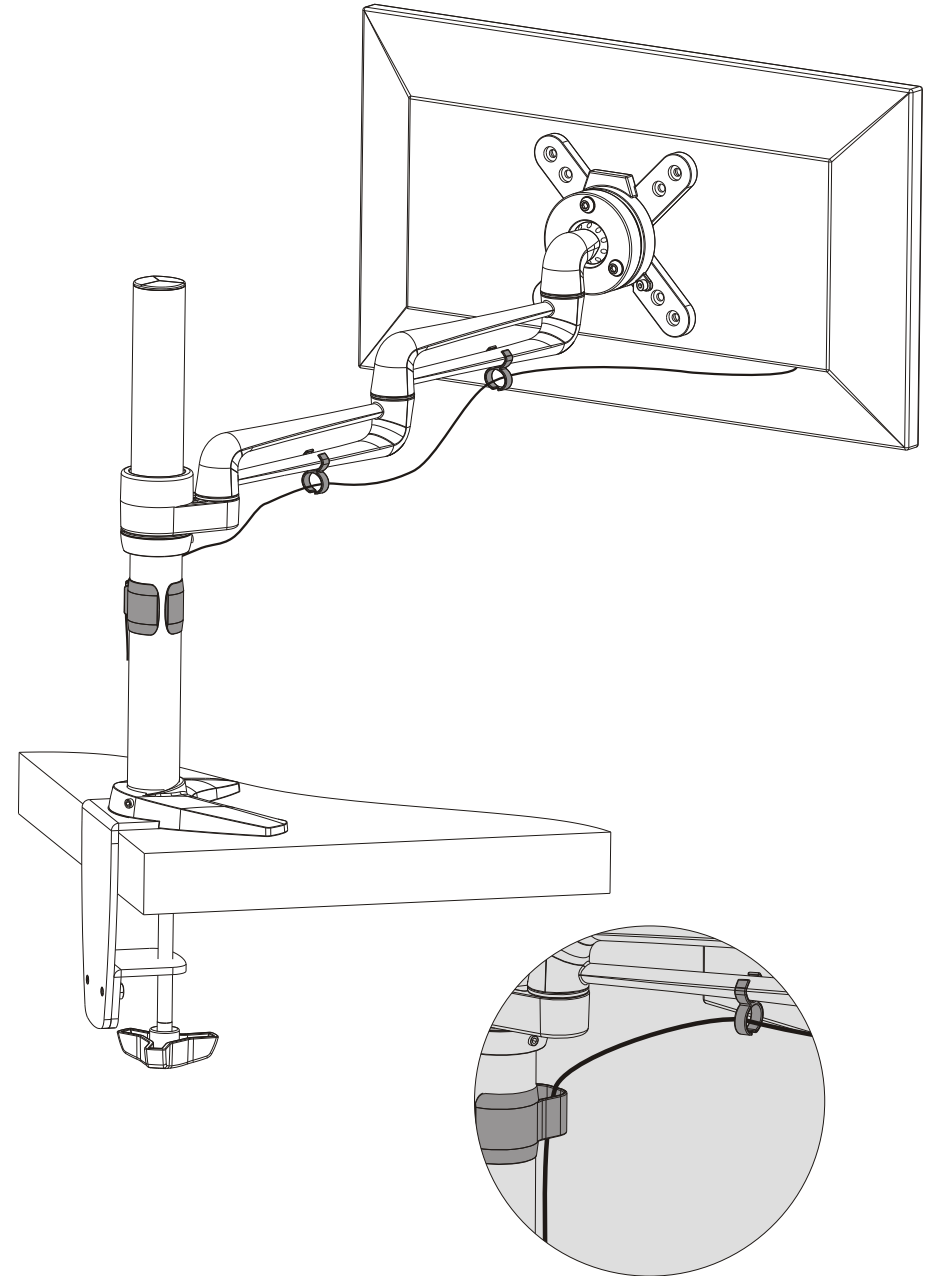
Screw the VESA plate onto the display.
⚠️ Tighten all screws but do not over tighten.

6. Installing the Display



Insert the VESA plate onto the mount and use the previously removed screws to secure them. Make sure the display is safely secured before finally releasing.

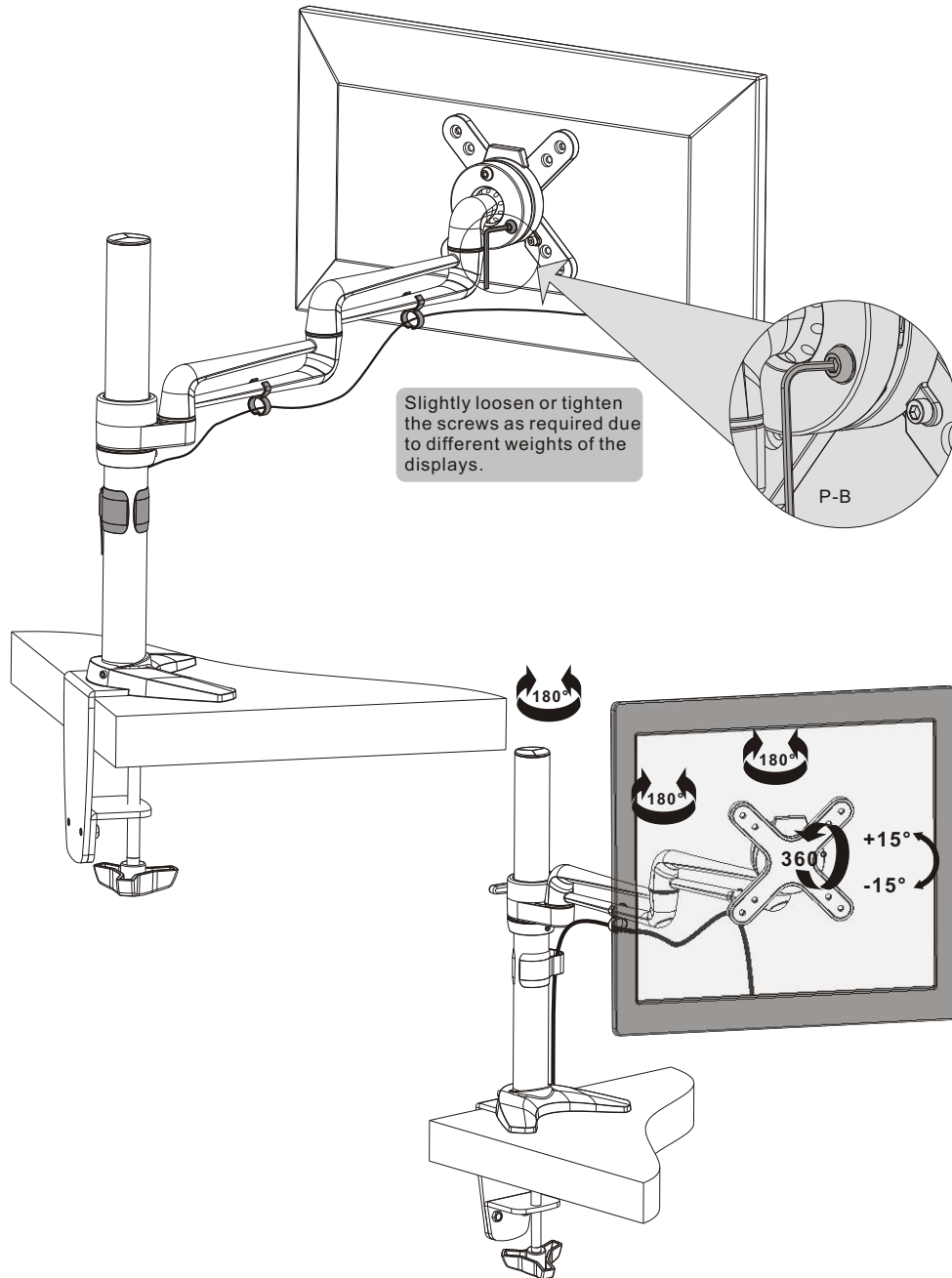
7. Cable Management



Use clips for routing the cables.

Note: Leave slack in the cable for arm movement.

8. Adjustment



Adjust to the desired position or tilt.

Maintenance

- Check that the bracket is secure and safe to use at regular intervals (at least every three months).
- Please contact your distributor if you have any questions.