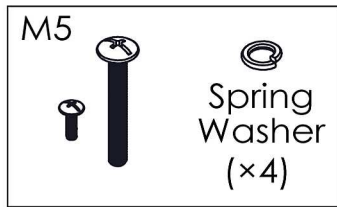


FOR TV



WASHER $\phi 6 * \phi 18 (\times 4)$

⑪



WASHER $\phi 8 * \phi 18 (\times 4)$

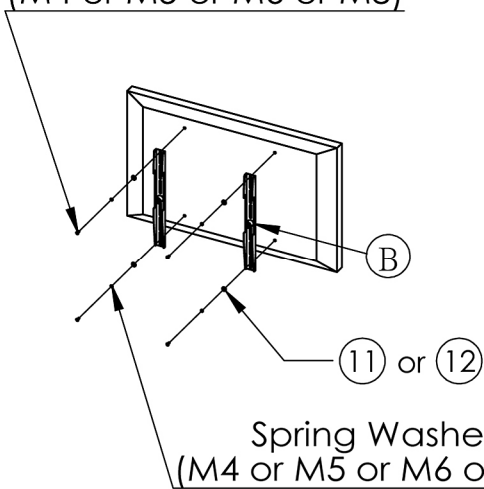
⑫



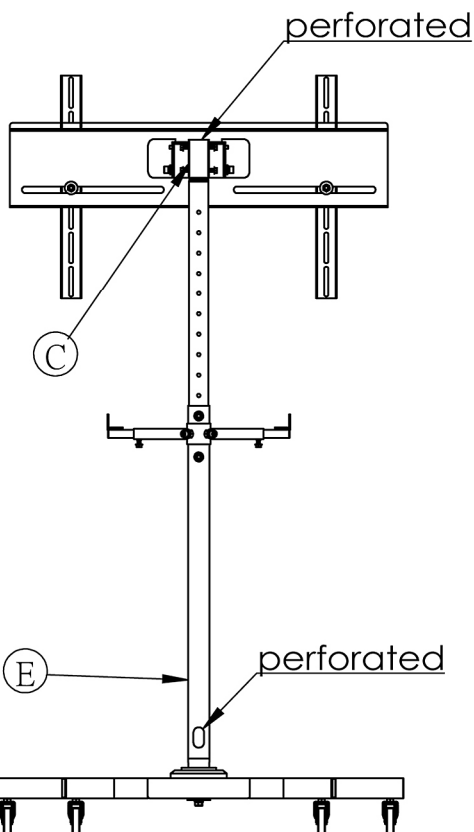
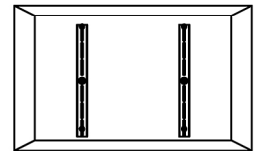
SLEEVE $\phi 8.5 * \phi 15 * L20$

⑬

SCREW
(M4 or M5 or M6 or M8)



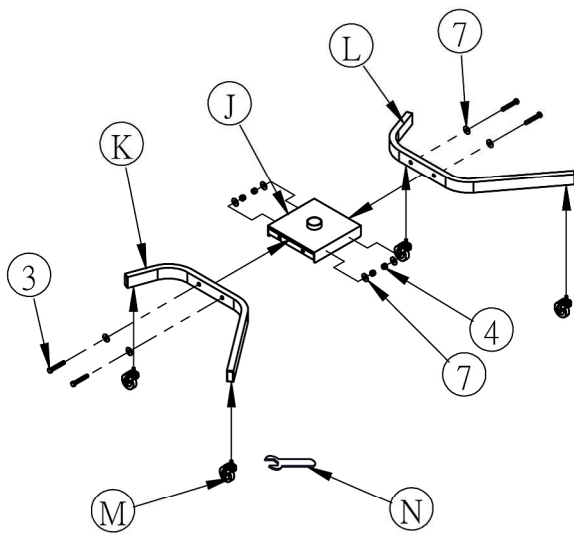
To install the mounting arms (B) on the back of TV:
Locate the mounting screw holes on the back of TV
and attached the mounting arms (B) with screws
M4 or M5 or M6 or M8 which best fit
your TV's mounting holes



Route your cable from the top of the extension
tube (D) to the perforated hole on the bottom
of the tube (E).

Assembly steps

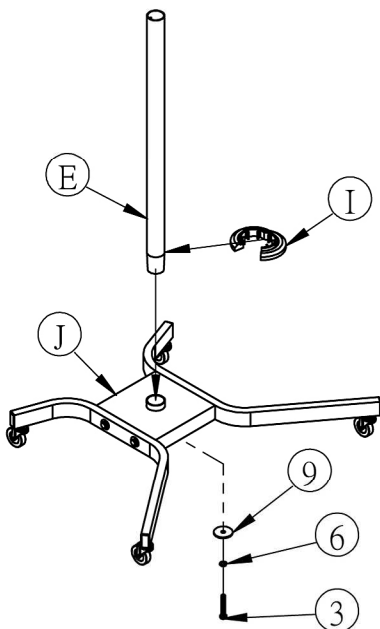
STEP 1 BASE INSTALLATION



Install the wheels (M) on the holes at the left and right bottom tube legs (K,L) as shown in the step1. Screw left and right bottom tube legs (K,L) on to the pedestal (J) with screw (3) and nut (7). Since screw (3) is tight when gets into nut (4), it may need some strengths or force to screw in.

Suggestion: Use two wrenches, one hold the nut, one turn the screw forward.

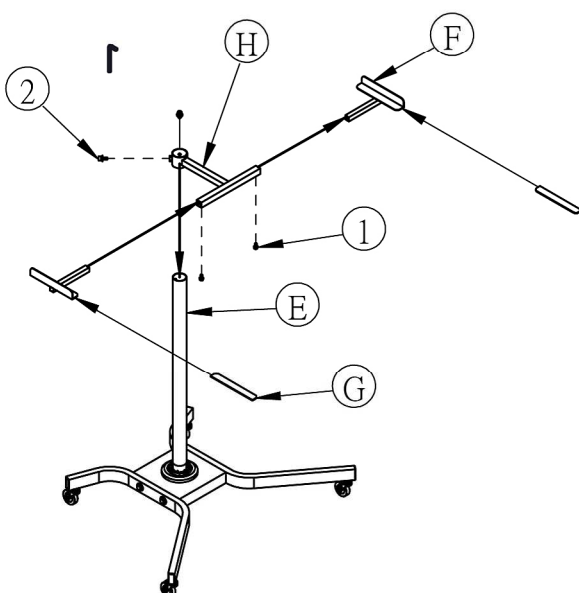
STEP 2 PILLAR INSTALLATION



Insert the tube (E) on the pedestal (J), then firmly fix it by screw(3), spring washer (6) and washer (9) from the bottom of pedestal.

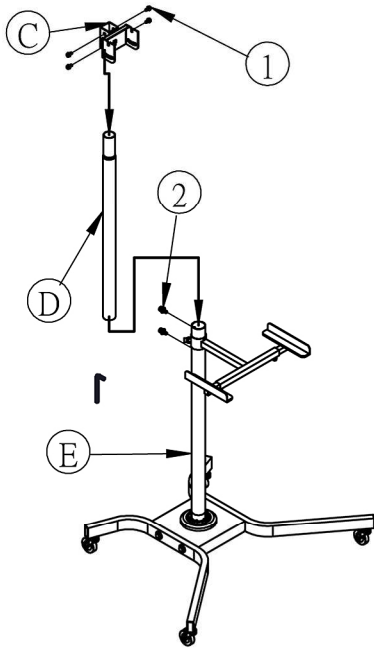
Clip the plastic cover (I) on tube(E)

STEP 3 SUPPORT FRAME INSTALLATION



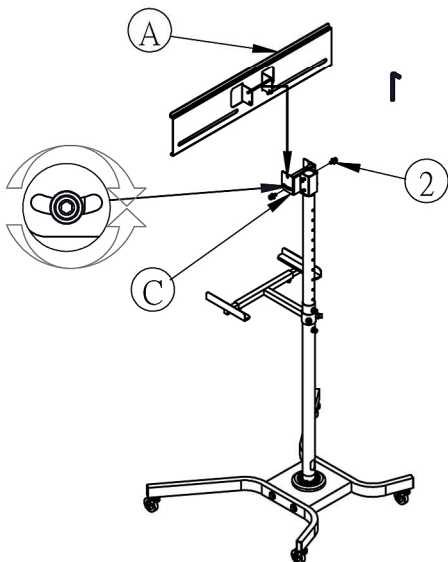
Insert support frame (H) on to tube (E). Insert the movable frame (F) into each side of support frame (H). Put two Velcro (G) on the upper surface of the two frame (F).

STEP 4 :JOINT INSTALLATION



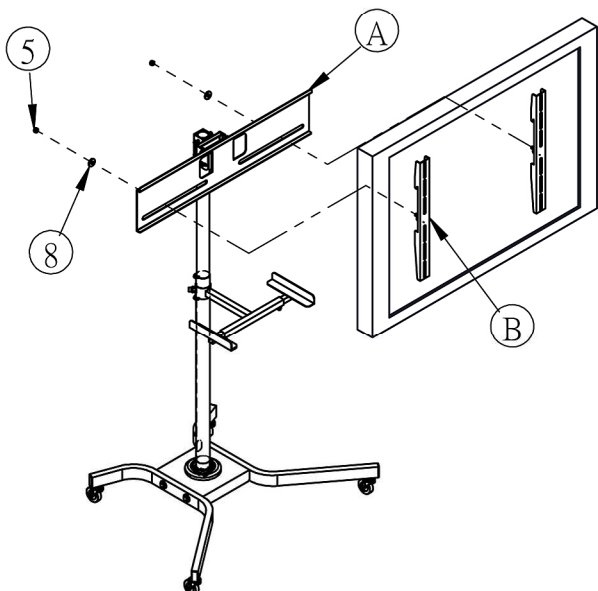
Insert the extension tube (D) into the tube (E) and adjust the height of the tube by screw (2). Fix the joint (C) on to the top of the tube (D) with screw (1).

STEP 5 :TV MOUNTING PLATE INSTALLATION



Hang the TV mounting plate (A) onto the joint (C), fixed and adjust the tilting angles with screw (2).

STEP 6 :MOUNTING ARM INSTALLATION



Make sure the mounting arm (B) fix on the TV mounting plate (A) by screw (5) and washer (8).

reflecta gmbh
Merkurstrasse 8
72184 Eutingen i.G.
Germany