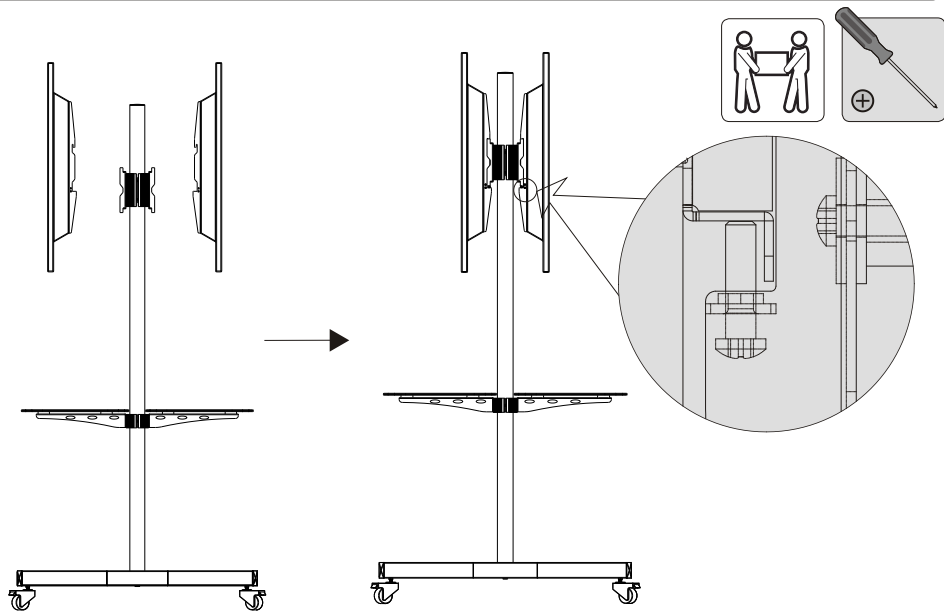


reflecta gmbh  
 Merkurstrasse 8  
 72184 Eutingen i.G.  
 Germany

mail@reflecta.de  
 www.reflecta.de

INSTALLATION MANUAL

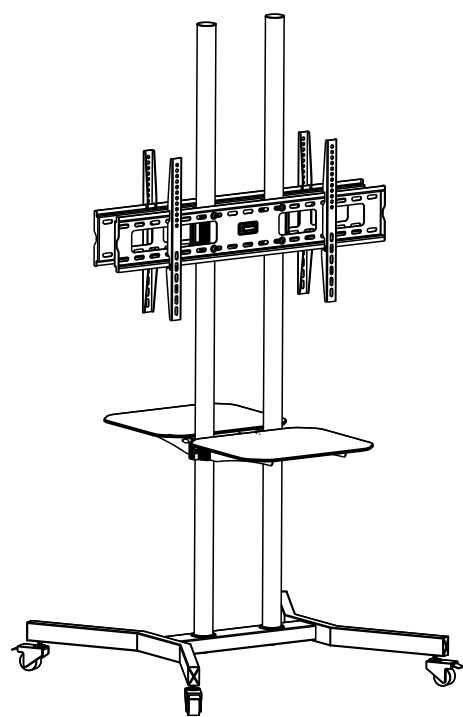
### 6. Hanging the Display onto the Universal Plate





Tighten the bottom bolts to secure the adapter brackets to the universal plates.

- Maintenance**
- Check that the bracket is secure and safe to use at regular intervals(at least every three months).
  - Please contact your dealer if you have any questions.

# Dual Sided Mobile TV Cart



**CAUTION: DO NOT EXCEED RATED LISTED WEIGHT CAPACITY. SERIOUS INJURY OR PROPERTY DAMAGE MAY OCCUR!**

<p><b>23200</b></p>	 <p>200x200/300x300        400x200/400x400        600x400/800x400</p>	 <p><b>70"</b>        MAX</p>	<table border="0"> <tr> <td data-bbox="1848 1332 1993 1476"> <p>TV  <b>40kg(x2)</b>  <b>(88lbs)(x2)</b>          RATED</p> </td> <td data-bbox="1993 1332 2139 1476"> <p>DVD  <b>10kg(x2)</b>  <b>(22lbs)(x2)</b>          RATED</p> </td> </tr> </table>	<p>TV  <b>40kg(x2)</b>  <b>(88lbs)(x2)</b>          RATED</p>	<p>DVD  <b>10kg(x2)</b>  <b>(22lbs)(x2)</b>          RATED</p>
<p>TV  <b>40kg(x2)</b>  <b>(88lbs)(x2)</b>          RATED</p>	<p>DVD  <b>10kg(x2)</b>  <b>(22lbs)(x2)</b>          RATED</p>				

ISSUED: MAR. 2013

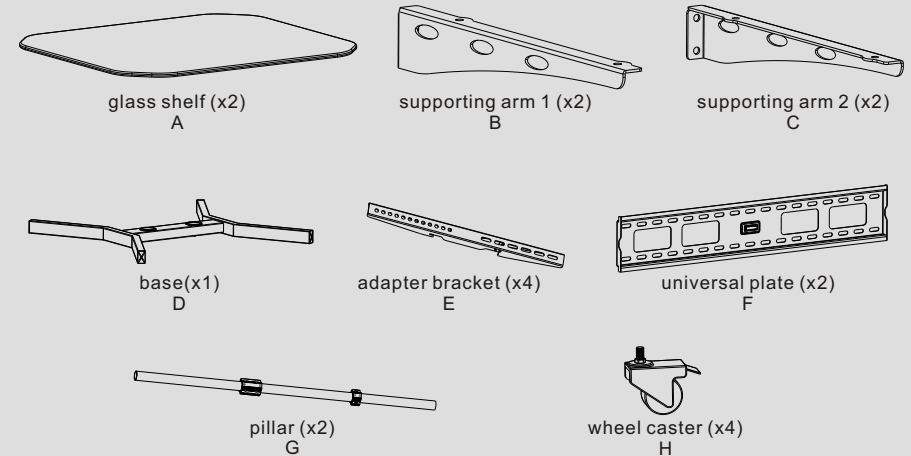
**NOTE:** Read the entire instruction manual before you start installation and assembly.

## ⚠ WARNING

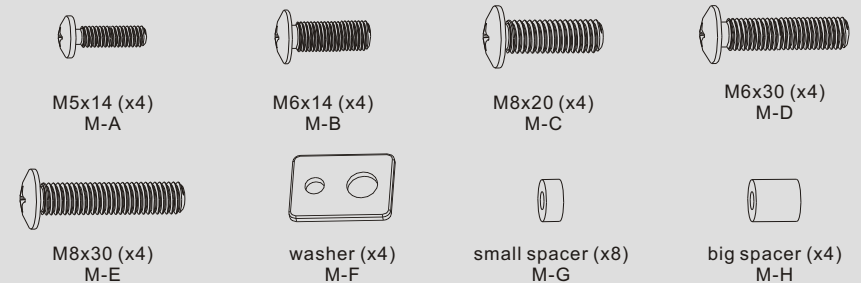
- Do not begin the installation until you have read and understood the instructions and warnings contained in this installation sheet. If you have any question regarding any of the instructions or warnings, please contact your local distributor.
- This mounting bracket was designed to be installed and utilised **ONLY** as specified in this manual. Improper installation of this product may cause damage or serious injury.
- This product should only be installed by someone with good mechanical ability who has basic building experience and fully understands this manual.
- Always use an assistant or mechanical lifting equipment to safely lift and position the equipment.
- Tighten screws firmly, but do not over tighten. Over tightening can cause damage to the items, This greatly reduces their holding power.
- This product is intended for indoor use only. Using this product outdoors could lead to product failure and personal injury.

## Component Checklist

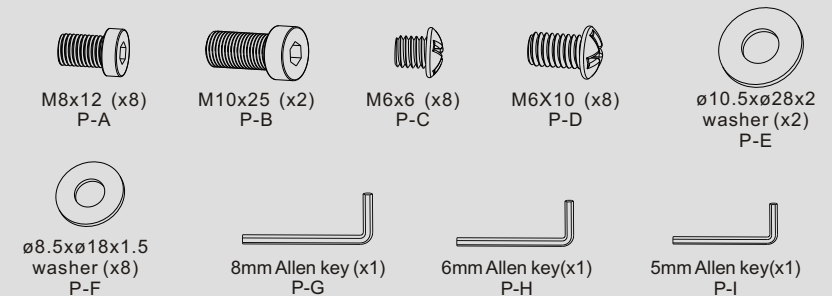
**IMPORTANT:** Ensure that you have received all parts according to the component checklist prior to installation. If any parts are missing or faulty, telephone your local distributor for a replacement.



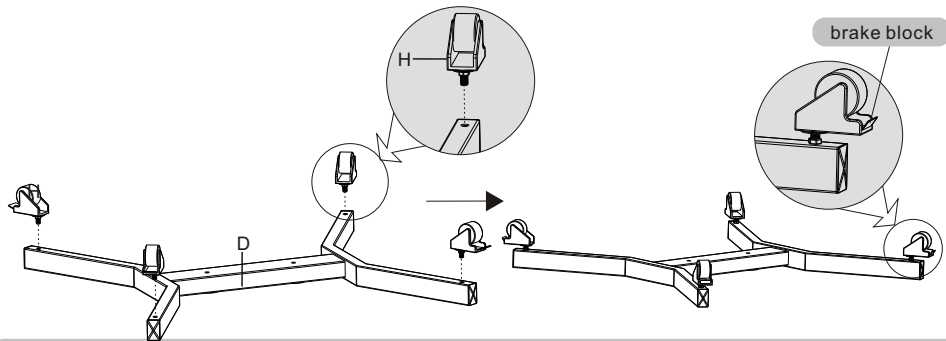
### Package M(x2)



### Package

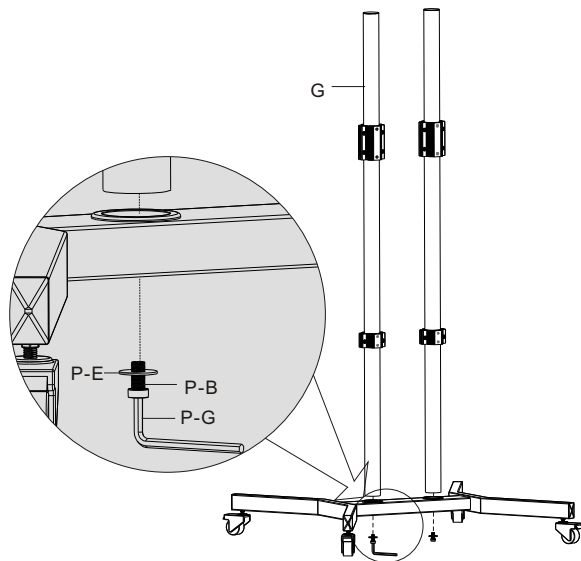


## 1. Installing the Wheel Casters

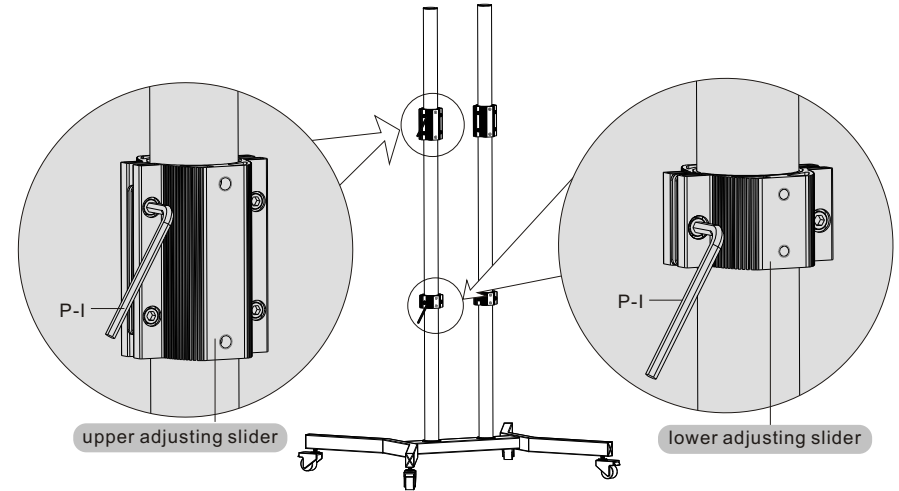


Insert four wheel casters into holes of base and tighten the nuts of wheel casters to secure.  
**Note:** Lock brakes on casters to avoid sudden movements during installation.

## 2. Installing the Pillars

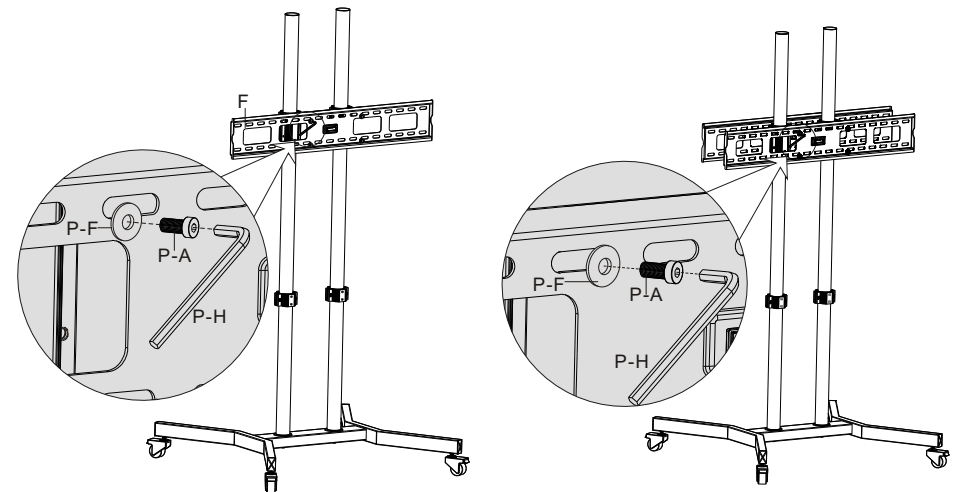


Attach two pillars to base using screws and washers, tighten screws using 8mm Allen key.



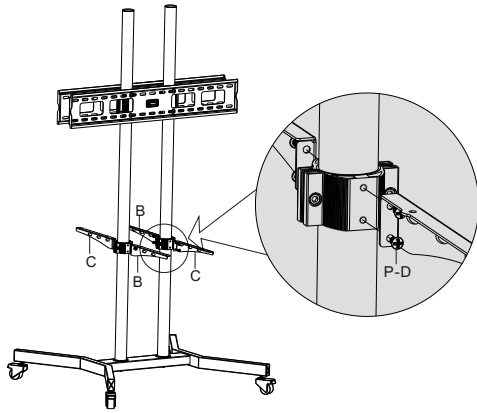
Loosen the screws on upper adjusting slider and adjust them to desired position using 5mm Allen key. Adjust the height of the lower adjusting sliders to desired position in the same way.

## 3. Installing the Universal Plates

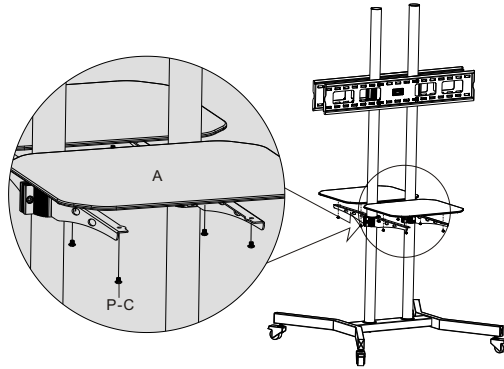


Fix the universal plate on the upper adjusting sliders, using the appropriate combination of screws and washers, make sure the universal plate is level, tighten all screws using 6mm Allen key. Do the same step as above for the other universal plate.

#### 4. Installing the Glass Shelves

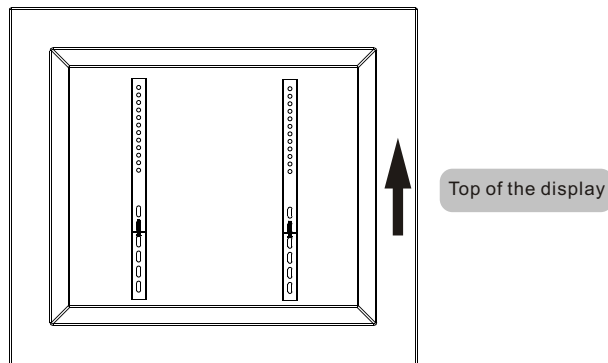


Fix the supporting arm to the lower adjusting slider, using the appropriate combination of screws, make sure the supporting arms are level, tighten all screws.



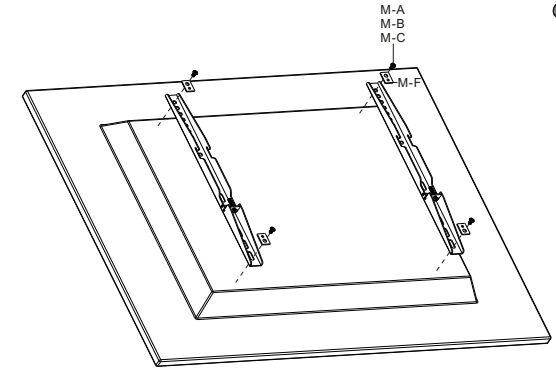
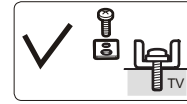
Place glass shelf on supporting arm, using the appropriate screws to fix the shelf, do not over tighten, otherwise may cause glass to shatter or crack. Do the same step as above for the other glass shelf.

#### 5. Installing the Adapter Brackets

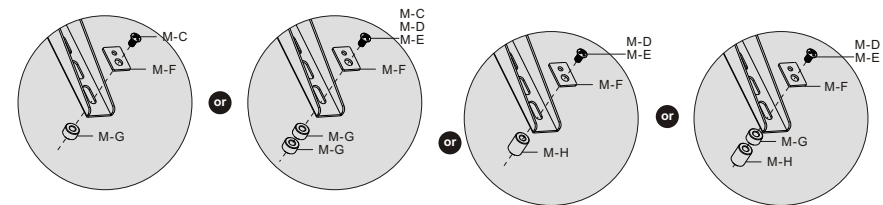
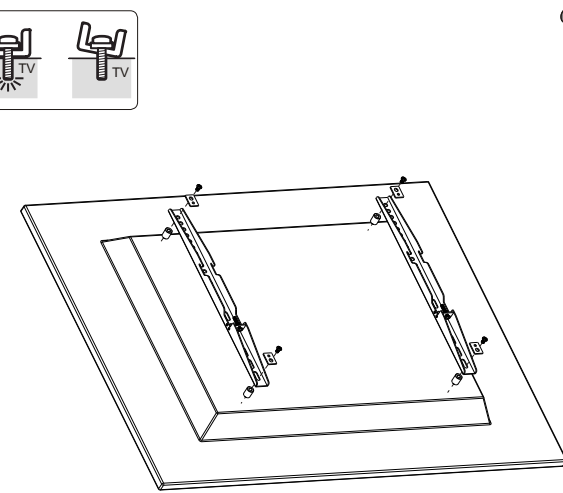
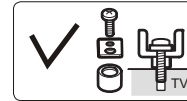


Top of the display

#### 5-1 For Flat Back Screens



#### 5-2 For Recessed Back Screens or to Access A/V Inputs



**Note:** Choose the appropriate screws, washers and spacers (if necessary) according to the type of screen.

- Position the adapter brackets as close as possible to the center of the display.
- Screw the adapter brackets onto the display.

**!** Tighten all screws but do not over tighten.