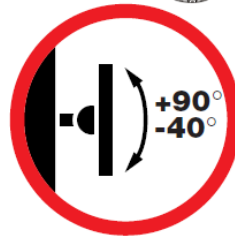
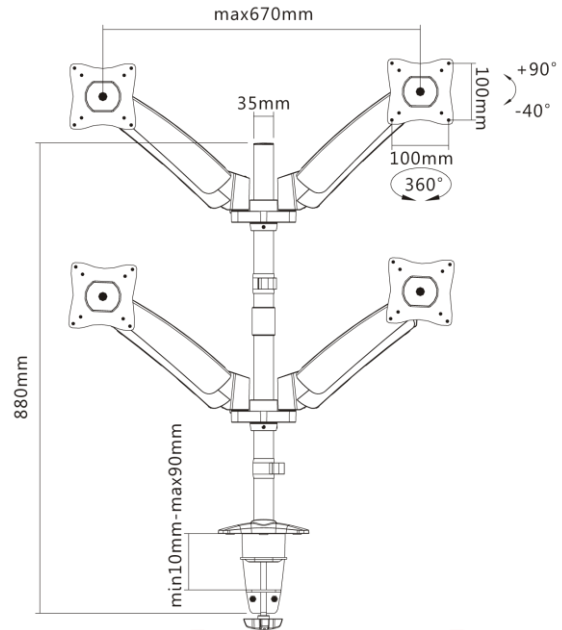


reflecta FLEXP DeskPro 27-1010 Q



Product Information:

- Universal Monitor Support
- Max loading weight: 9 kg per arm
- Tilt: +90° / -40°
- 360° rotation
- Portrait and landscape view
- Arm length: max 335 mm per arm
- Height: 880 mm
- 13-27" / 33-68 cm
- Vesa: 75x75, 100x100
- Gas spring mechanism

Code 23262
EAN: 4005039232626

Specifications are subject to change without notice

reflecta gmbh
Merkurstrasse 8
D 72184 Eutingen
Phone: +49 (0) 7457 9465-60
Fax: +49 (0) 7457 9465-72
e-mail: mail@reflecta.de
http: www.reflecta.de