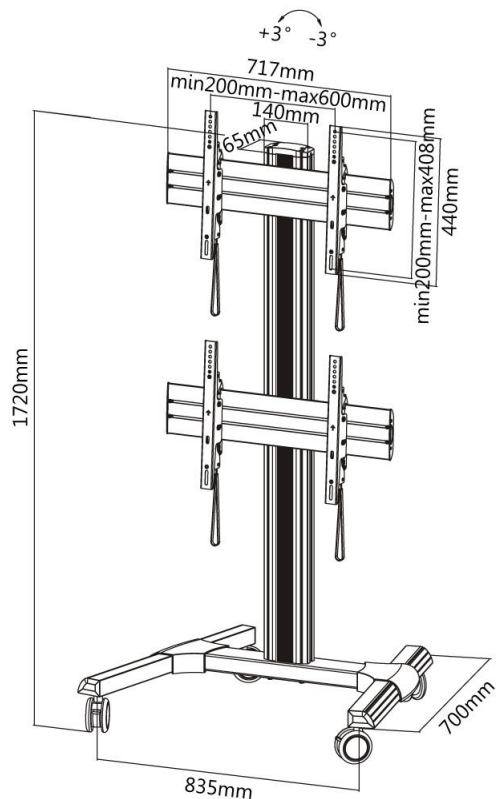
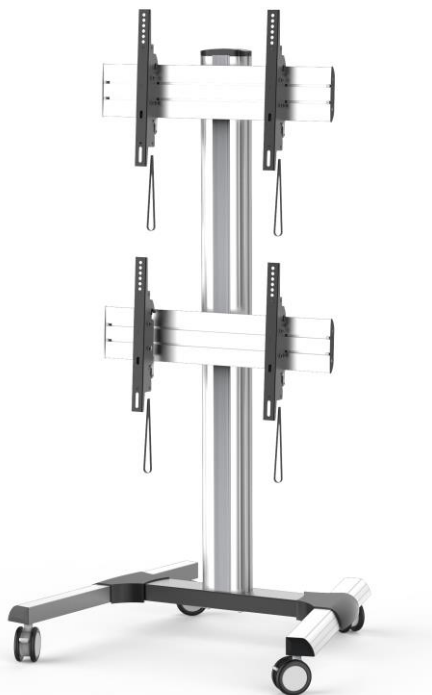


## reflecta Video Wall TV Stand 55D



### Product Information:

- Universal TV Stand for Video Walls
- Max loading weight 40 kg each
- Height adjustable (TV)
- 45"-55" (114-140 cm)
- Vesa: max. 600x400
- Elegant aluminium construction
- Cable management
- Easy and quick installation
- Single TV Stands connectable via adapter plates (included in delivery)

Code: 23215

Specifications are subject to change without notice

**reflecta gmbh**  
 Merkurstrasse 8  
 D 72184 Eutingen  
 Phone: +49 (0) 7457 9465-60  
 Fax: +49 (0) 7457 9465-72  
 e-mail: [mail@reflecta.de](mailto:mail@reflecta.de)  
 http: [www.reflecta.de](http://www.reflecta.de)