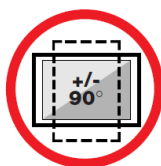
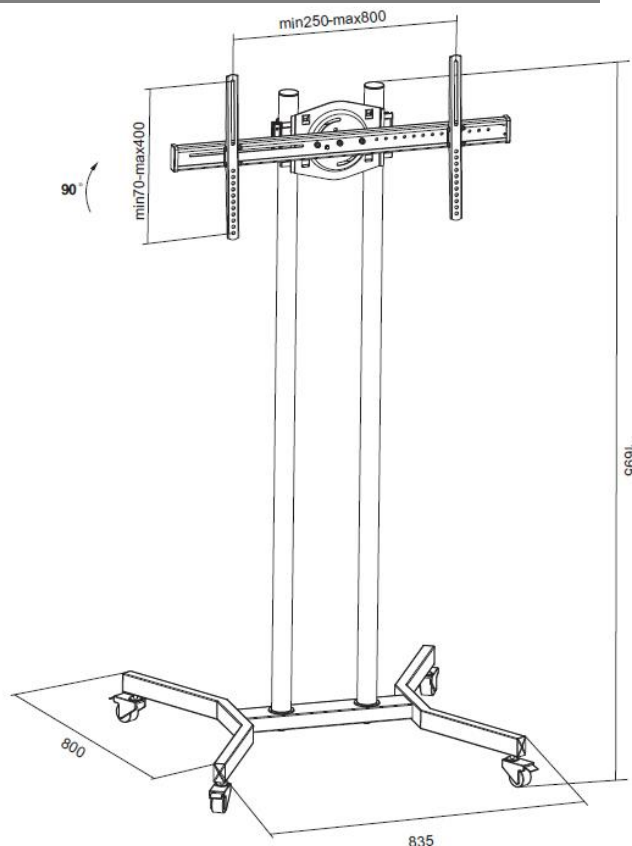
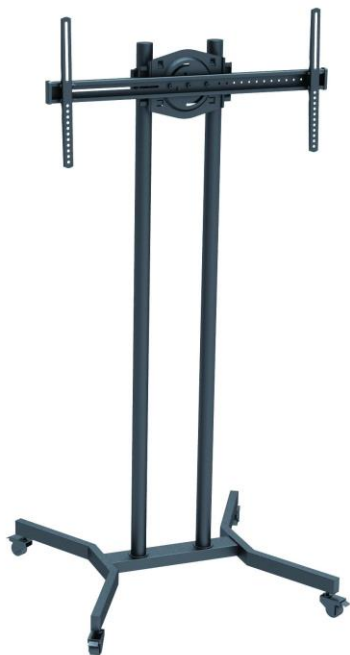


## reflecta TV Stand 55P



### Product information:

- Universale TV Stand
- Max loading weight 40 kg
- Height adjustable (TV)
- 37"-70" (54-178 cm)
- Vesa: 300x300, 400x200, 400x400, 600x400, 800x400
- +/-90° Rotation for Portrait and Landscape view

Code: 23201  
EAN: 4005039232015

Specifications subject to change without notice

**reflecta gmbh**  
Merkurstrasse 8  
D 72184 Eutingen  
Phone: +49 (0) 7457 9465-60  
Fax: +49 (0) 7457 9465-72  
e-mail: [mail@reflecta.de](mailto:mail@reflecta.de)  
http: [www.reflecta.de](http://www.reflecta.de)