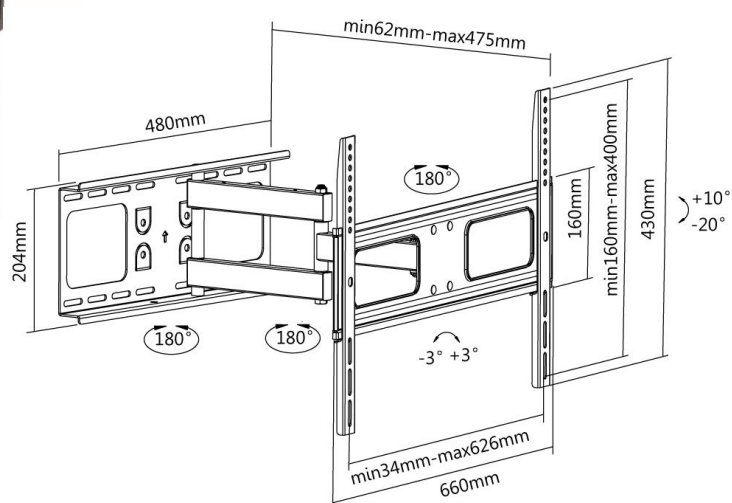


reflecta PLE XO 70-6040T



Product information:

- Universal wall mount for TVs with max loading weight of 50 kg
- 37-70" (94-178 cm)
- Vesa: 200x200, 400x200, 300x300, 400x400, 600x400
- Distance to wall: 6,2 – 47,5 cm
- Tilt: +10°/-20°
- Swivel: +/-90°
- Pivot: 3
- Water level

Art-Nr.: 23160

EAN Code: 4005039231605

Specifications subject to change without notice

reflecta gmbh

Merkurstr. 8

D 72184 Eutingen

Phone: +49 (0) 7457 9465-60

Fax: +49 (0) 7457 9465-72

e-mail: mail@reflecta.de

http: www.reflecta.de