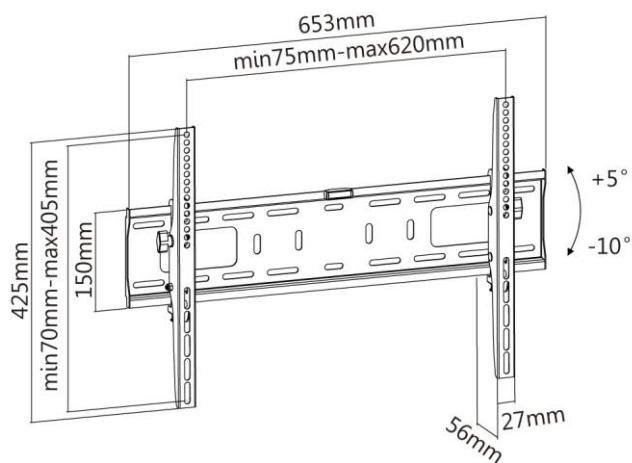


reflecta PLANO Flat 70-6040T



Product information:

- Universal wall mount for TVs
- Max loading weight 50 kg
- 37 – 70" (94 -178 cm)
- Vesa: 200x200, 300x300, 400x200, 400x400, 600x400
- Distance to wall: 56 mm
- Tilt: +5° / -10°
- Water level
- Stable and solid design

Code: 23094

EAN: 4005039230943

Specifications subject to change without notice.



reflecta gmbh

Merkurstrasse 8
D 72184 Eutingen

Phone: +49 (0) 7457 9465-60

Fax: +49 (0) 7457 9465-72

e-mail: mail@reflecta.de

http: www.reflecta.de