



# mediahub

The icon of modern desk connector panels.  
Integrated technology, exquisite materials and easy to control.





## mediahub™

### Symbiosis of design and technology

The contemporary use of digital media in conferences and meetings requires a flexible all-in-one solution for power, network and A/V connections. mediahub™ by PureLink combines innovative technology with usability and a high-quality design.

The housing of the mediahub™ desk connector panels are made of high-quality wet-coated, brushed stainless steel from European production, are available in four high-quality versions (see below) and can be mounted flush with the tabletop (in-table) or overlying (on-table). The smooth mechanism ensures a frustration-free opening and closing of the mediahub™ and this way perfectly adapts to a flexible office environment with variable requirements.

The perfectly manufactured, modular cartridge-system is upgradable and thus enables a scalable and high-grade multimedia interface integration. This makes it possible to incorporate different power outlets for various EU countries in one housing and also replace them afterwards. In all housing versions, two power outlets, a Cat.6 Ethernet connection as well as two USB-A fast charging ports with 2.1A are available.

#### Overview:

- All-in-one desk connector panel for power, Ethernet, A/V, etc.
- Available for decentralized daisy-chains and centralized star-topologies
- Two housing versions for flush in-table and overlying on-table installations
- Replaceable power outlets for DE / UK / CH / DK, etc.
- Four high-quality wet-coated color versions
- Smooth and frustration-free mechanism
- Modular cartridge-system – scalable and upgradable
- Always included: 2x USB fast charging ports, 1x Ethernet connection, 2x power outlets

#### MHUB-ENC100 Housing for On-Table Installation

Available in four colors \*further colors possible as custom-made design



Alu-Silver



Steel-Grey



Anthracite



Champagne

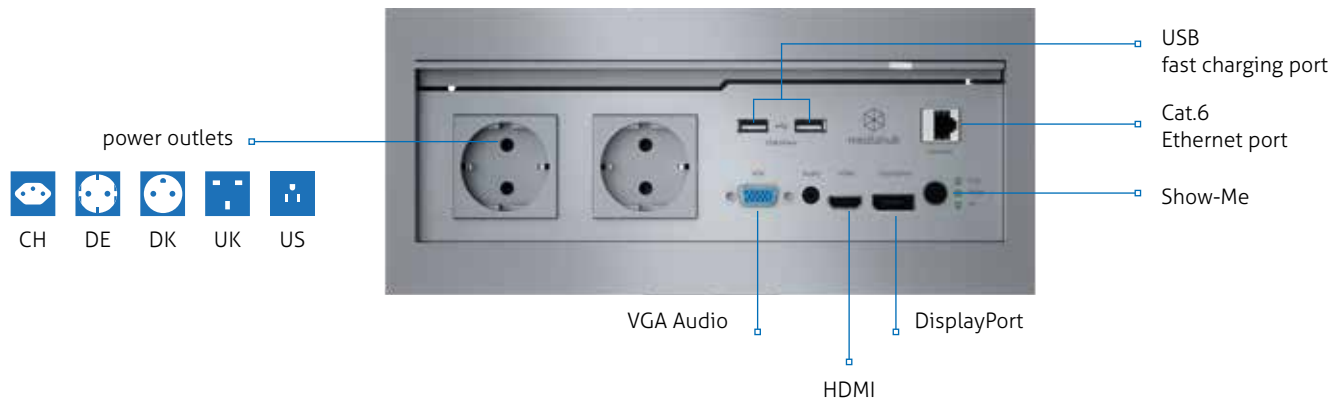


## Signal magic

No more compatibility problems in presentations - that is the idea behind the Presentation Switcher from Luxi Electronics. The switcher is equipped with inputs for HDMI, DisplayPort and VGA, including stereo audio from a 3.5mm jack and this way covers all available input signals. It also splits the input signal and distributes it to both of the HDMI-A output ports to transfer a mirrored image to two displays at the same time. The audio signal can be broken out separately from the Phoenix ports, regardless of the input signal type.

## Always the right signal format

The integrated scaler in this switcher converts the input signal of any source into a display compatible output format, so no individual format changes have to be made anymore. This is important if more than one source signal is using the Presentation Switcher and all signals should have the same output format. The Active Input Detection ensures an automatic signal switching and scaling, as soon as an input device is removed or becomes inactive. Furthermore, the multi-level picture-zoom compensates the so called "overscan" and perfectly matches the picture size with the display format. All functions incl. scaling are easily controllable with the integrated RS232 port.



## MHUB-ENC101 Housing for In-Table Installation

Available in four colors \*further colors possible as custom-made design



Alu-Silver



Steel-Grey



Anthracite



Champagne



## mediahub™ SHD310

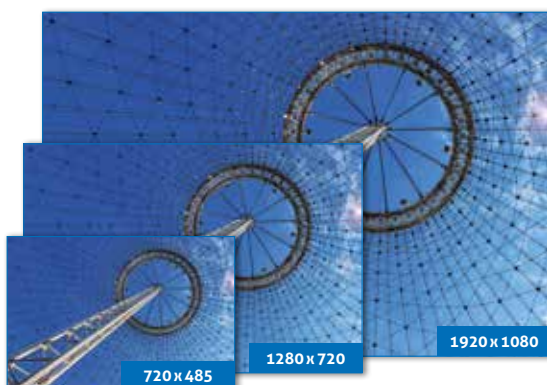
### Multiformat Presentation Switcher including a scaler and dual outputs

The SHD310 Presentation Switcher incl. an integrated scaler distributes an HDMI, DisplayPort or VGA input signal incl. audio latency-free to up to two mirrored HDMI outputs including analog stereo audio breakout. In addition, an analog audio signal can be mixed in or completely replace the audio output signal in via a 3.5mm stereo jack. When distributing the actively detected input signal, it automatically scales into a compatible output signal so no individual format changes have to be made anymore. Additionally, the Presentation Switcher features breakout ports for each single "Show Me" button, an LED status indicator and an RS-232 connector for external controls. Therefore it is the perfect solution for use in conference rooms and the distribution of different signal types from one central point.

#### Overview:

- Supports VGA, HDMI and DisplayPort inputs
- Additional 3.5mm stereo audio signal can be mixed in or completely replace the output audio
- Scaling function for the compatibility of all signal formats and resolutions
- Perfect for centralized topologies
- Auto-Switch function
- Active input detection
- RS232 connector for external controls
- Stereo audio breakout via Phoenix connectors
- Resolutions up to FullHD / 1080p@60Hz / WUXGA
- Single „Show Me“ breakouts for each signal type
- Many control options: Front Panel, breakout push buttons, RS232, etc.
- Picture and/or audio mute function incl. screensaver and OSD deactivation
- Auto-switching can be enabled / disabled at the push of a button

#### Powerful Scaling



#### Mirrored HDMI Outputs

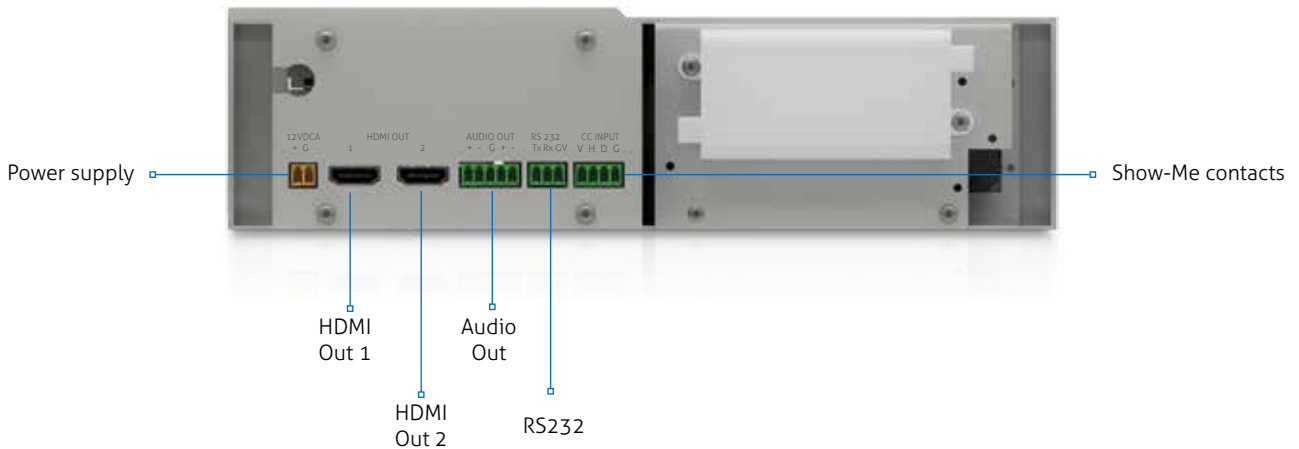




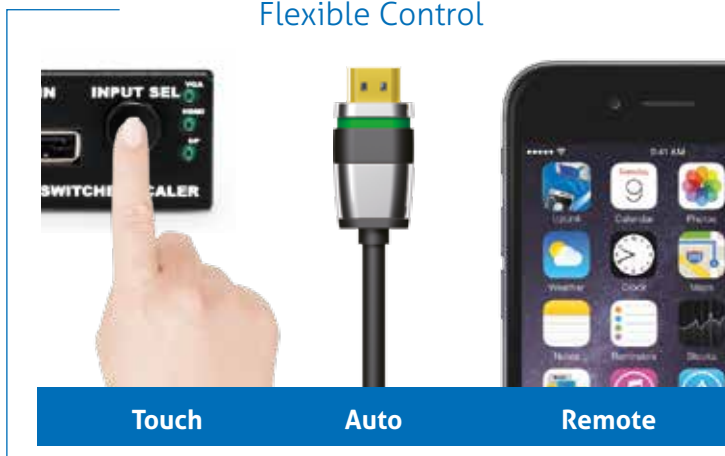
## Specifications

- Signal inputs: 1x HDMI-A, 1x DisplayPort 1.2, 1x VGA, 1x 3.5mm stereo audio
- Signal outputs: 2x HDMI, 1x stereo audio (Phoenix)
- Control inputs: RS232, Phoenix connectors for single push buttons
- Integrated scaler for optimum format conversion of 16:9 and 16:10
- Maximum resolution FullHD / 1080p@60Hz / WUXGA
- EDID management function
- Controls: Automatic input detection (deactivatable), on the device via push button, external push buttons (Phoenix connectors), via media control or app controlled RS232

## Rear view mediahub™ SHD310



### Flexible Control



### Independent Audio Control





## mediahub™ TPR150

### Multiformat Presentation Switcher with Scaler and Daisy-Chain Technology

The multiformat transmitter TPR150 can transmit an HDMI, DisplayPort or VGA A/V signal via one single Cat.6 cable to the receiving units. In combination with repetitive receivers, the TPR150 can replace switchers and splitters of any size with a scalable, flexible daisy-chain system. By cascading multiple transmitters and receivers, a decentralized distribution system comes into existence which is able to distribute the signal in a nearly unlimited distance and in different directions. The integrated scaler scales the input signal to always perfectly match the connected display format.

#### Features:

- Replaces centralized A/V topologies with a decentralized daisy-chain system
- Completely scalable: The system is nearly unlimitedly extendable and / or reducible
- Only one Cat.6 cable in between adjacent units - no more space-consuming cable bundles
- Daisy-Chain: 18 GB/s bandwidth with max. 6 feeds - Max. 9 GB/s per feed
- Signals can be distributed over nearly unlimited distances
- Power-over-Cat reduces the number of required power supplies significantly
- Show-Me push button for controlling the input signal

#### Daisy-Chain Cascading instead of Star-Topologies

Instead of a classic, centralized structure, the Luxi Presenter uses a flexible, scalable and decentralized distribution system. While a P2P connection via HDBaseT or Single Cat is not extendable or reducible as desired, the daisy-chain adapts to any system requirements by cascading multiple Presenter units with only one single Cat.6 cable in between adjacent units.

#### Central Control

The RS-232 port on every box allows full system wide controls from a single point. Further RS-232 control devices can be integrated into the daisy-chain installation at any desired point. The bi-directional Ethernet port on every unit allows for internet access in the whole system and can also be controlled centrally.

#### Uncompressed and fast

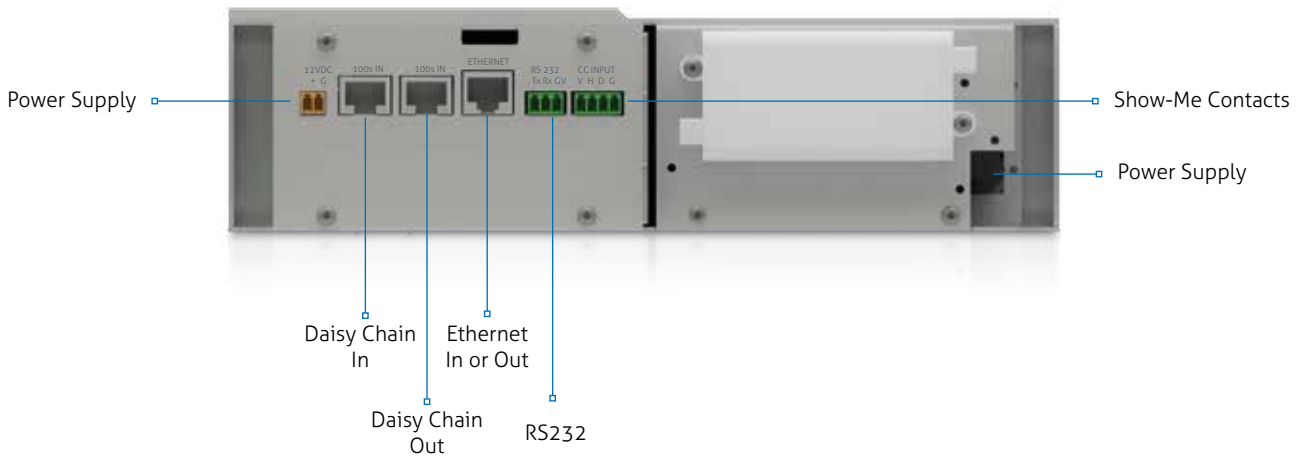
The signal in between two units is transmitted uncompressed and with a high bandwidth of up to 18 GB/s for 6 feeds with a maximum of 9 GB/s per feed. This way, resolutions of WUXGA at 60Hz or 1080p@60Hz can be achieved. The transmission of all digital sound formats is uncompressed, including Dolby True-HD and DTS-HD Master Audio. The uncompressed transmission has no noticeable delays, neither the video, nor the audio signal.



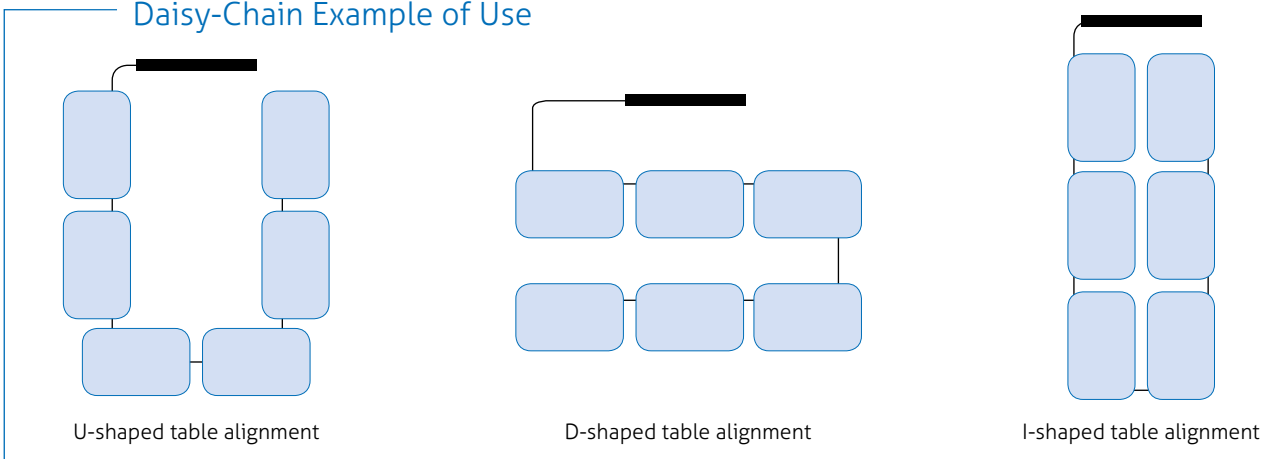
## Specifications

- Singal inputs: 1x HDMI-A, 1x VGA, 1x 3.5mm stereo audio, 1x DisplayPort, 1x Daisy-Chain Cat (RJ45), 1x Ethernet (RJ45)
- Signal outputs: 1x Daisy-Chain Cat (RJ45)
- Control inputs: 1x RS232 (Phoenix), 1x Show-Me (Phoenix)
- Latency-free signal distribution
- Decentralized Daisy-Chain system, scalable and space-saving
- Integrated scaler for optimum format conversion of 16:9 and 16:10
- Maximum resolution FullHD / 1080p@60Hz / WUXGA
- EDID management function
- Controls: Automatic input detection (deactivatable), on the device via push button, external push buttons (Phoenix connectors), via media control or app controlled RS232

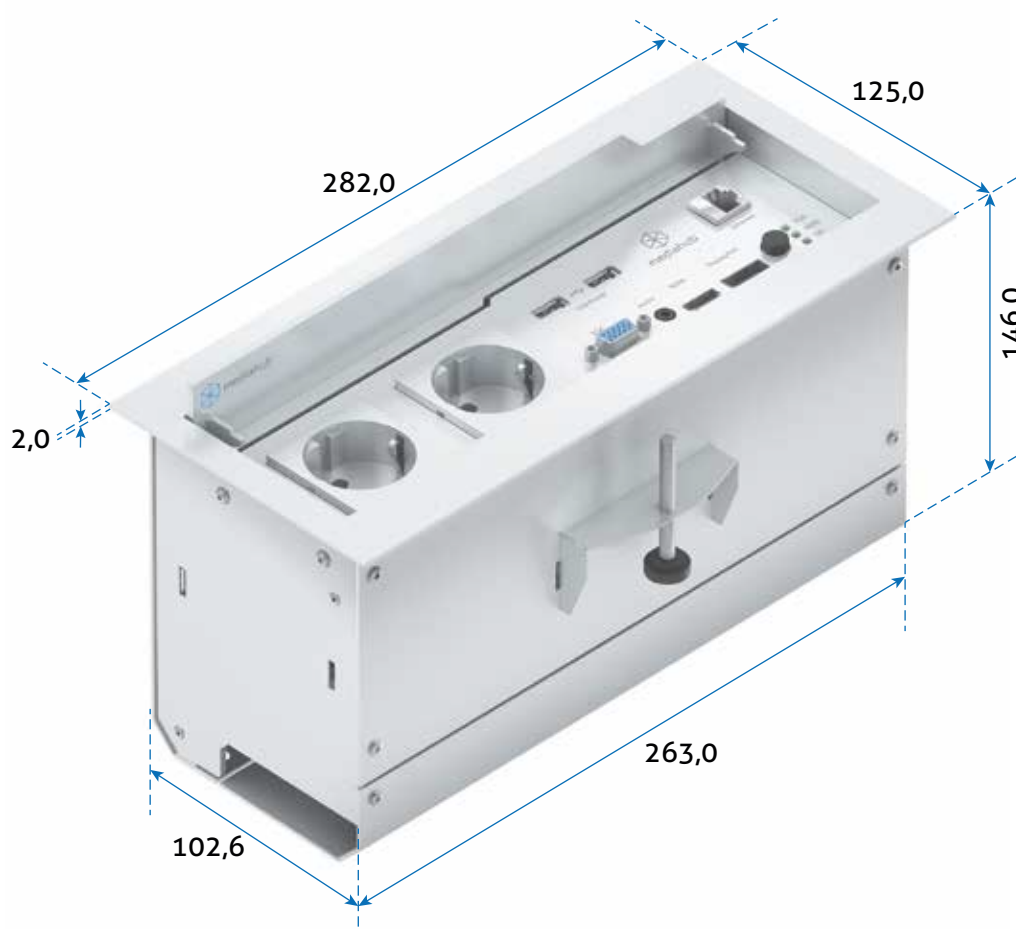
## Rear view mediahub™ TPR150



## Daisy-Chain Example of Use



## Technical drawing



### MHUB-ENC100 Housing for On-Table Installation

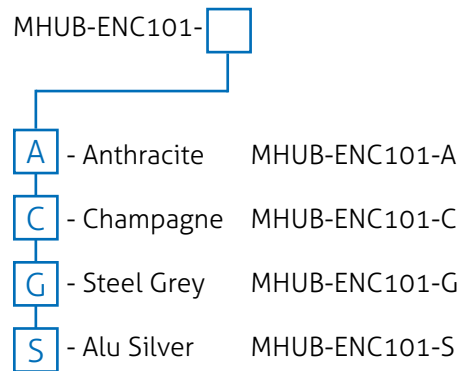
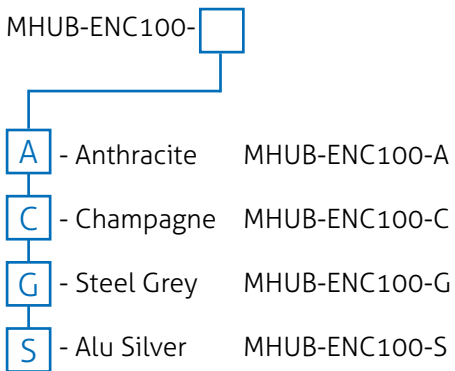
Ideal for subsequent installations due to a thickness of only 2mm





## Configuration of the desk connector panel

In the first step you choose your favourite from the two available mediahub™ enclosures. Following you have the choice between four exclusive color versions. In the next step you specify the configuration of the equipment.



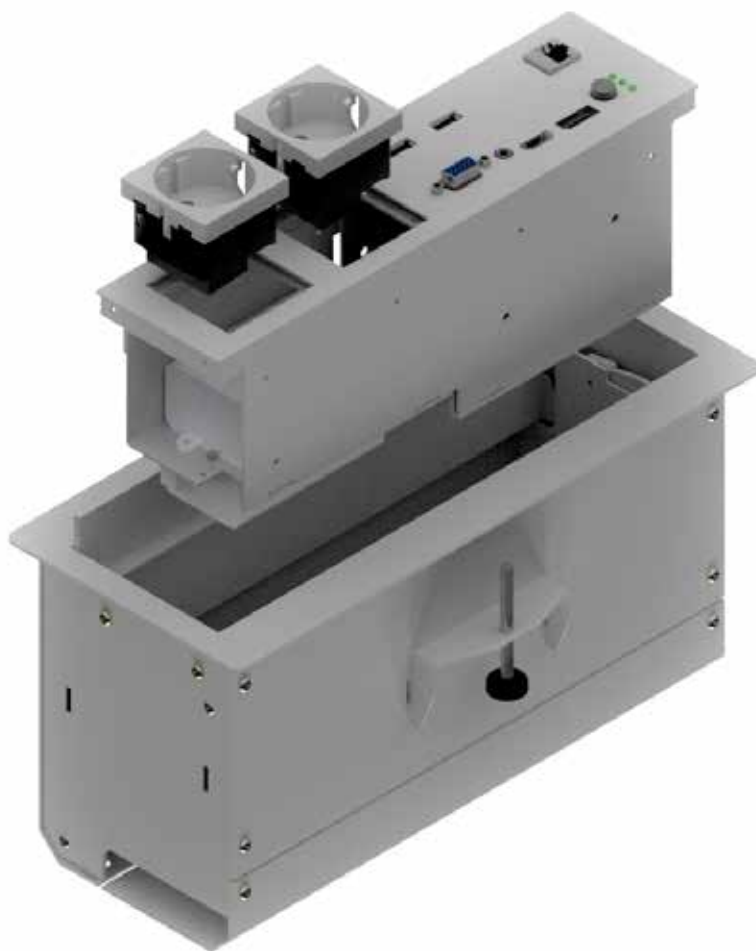
### MHUB-ENC101 Housing for In-Table Installation

Perfect and flush mounted integration of media technology into your conference table.





Technical drawing



**MHUB-CART-SHD310**

Media cartridge with two HDMI outputs



**MHUB-CART-TPR150**

Media cartridge with Daisy-Chain output via Cat.6 cable





## Cartridge configuration

To finalize your personal mediahub™, please choose from the two available media cartridges as well as power outlets according to several national standards in conclusion.

MHUB-CART-SHD310--

- A** - Anthracite    MHUB-CART-SHD310-A-
- C** - Champagne    MHUB-CART-SHD310-C-
- G** - Steel Grey    MHUB-CART-SHD310-G-
- S** - Alu Silver    MHUB-CART-SHD310-S-

- CH** - Version    MHUB-CART-SHD310--CH
- DE** - Version    MHUB-CART-SHD310--DE
- DK** - Version    MHUB-CART-SHD310--DK
- UK** - Version    MHUB-CART-SHD310--UK
- US** - Version    MHUB-CART-SHD310--US

MHUB-CART-TPR150--

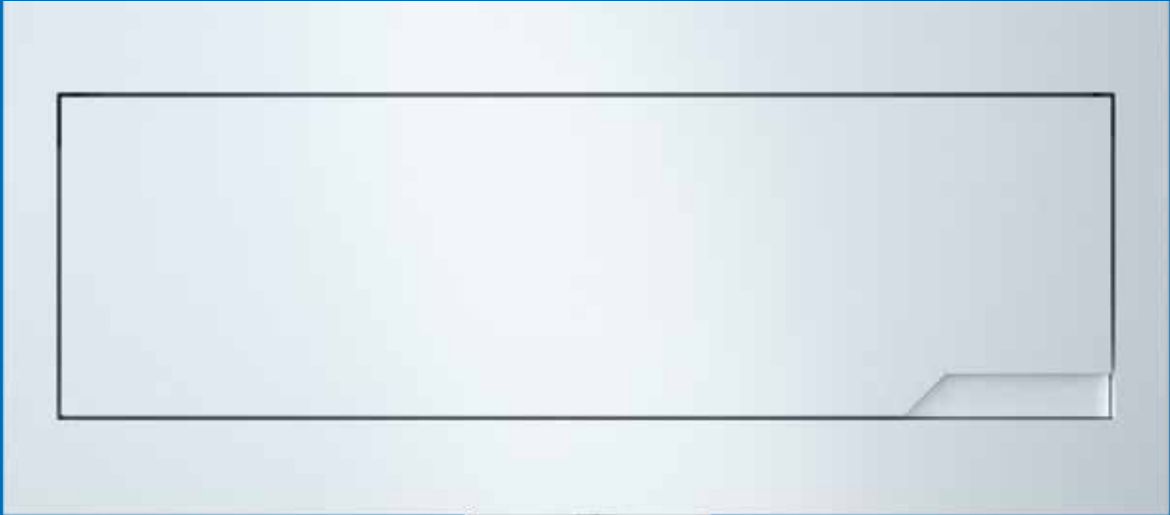
- A** - Anthracite    MHUB-CART-TPR150-A-
- C** - Champagne    MHUB-CART-TPR150-C-
- G** - Steel Grey    MHUB-CART-TPR150-G-
- S** - Alu Silver    MHUB-CART-TPR150-S-

- CH** - Version    MHUB-CART-TPR150--CH
- DE** - Version    MHUB-CART-TPR150--DE
- DK** - Version    MHUB-CART-TPR150--DK
- UK** - Version    MHUB-CART-TPR150--UK
- US** - Version    MHUB-CART-TPR150--US

## Power Outlets

The mediahub™ enclosures can be equipped with power outlets of nearly all national standards.





mediahub

**PureLink GmbH**

Von-Liebig-Straße 10  
D - 48432 Rheine  
Germany

Telefon: 0049 (0)5971-800 299 -0  
Fax: 0049 (0)5971-800 299 -99

E-mail: [info@purelink.de](mailto:info@purelink.de)  
Internet: [www.purelink.de](http://www.purelink.de)

© 2016 PureLink GmbH. All rights reserved.  
All trade names are registered trademarks of  
respective manufactures listed.  
HDMI is a trademark of HDMI Licensing LLC.

