



BT5890-100

1M DROP PROJECTOR CEILING MOUNT INSTALLATION GUIDE & PARTS LIST

This Pack Contains 1 Mount



PLEASE KEEP THIS FOR FUTURE REFERENCE



FEATURES

- Projector ceiling mount designed for LCD/LED/DLP projectors up to 10kg (22lbs)
- Integrated cable management
- Keyhole 'hook-on' feature for easy installation
- +/- 15° tilt adjustment, +/- 15° roll adjustment and 360° swivel
- Ceiling Drop: 1m (39.4")
- Maximum distance between any 2 fixing points: 493mm (19.4")
- Maximum fixing square: 300 x 300mm or 400 x 200mm
- Projector can be mounted directly to the carousel
- Suitable for projectors using M2.5, M3, M4, M5 and M6 fixings
- Supplied with safety bolt for a secure installation
- Ceiling fixings and all mounting hardware included

REG DESIGN NO: 001302483-0001, 001302483-0005



CONTENTS

Installation Safety Notes.....	2
Parts List.....	4
Installation Instructions.....	6
Product Dimensions.....	11
B-Tech Contact Details.....	12

INSTALLATION TOOLS REQUIRED

13mm (1/2") spanner
or socket



Flathead
screwdriver



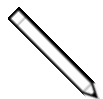
Drill



10mm (7/16")
masonry bit or
6mm (1/4") wood bit



Pencil



B-TECH AUDIO VIDEO MOUNTS

www.btechavmounts.com

INSTALLATION SAFETY INSTRUCTIONS



CAUTION: This ceiling mount is intended for use only with the maximum weights indicated. Use with projectors heavier than the maximum indicated may result in instability causing possible injury.

Do not attempt to install this product until all instructions and warnings have been read and properly understood. Please keep these instructions for future reference.

B-Tech International Limited, its distributors and dealers are not liable or responsible for damage or injury caused by improper installation, improper use or failure to observe these safety instructions. In such cases, all guarantees will expire.

General

B-Tech International Ltd recommends that a professional AV installer or other suitably qualified person install this product. Great care must always be taken during installation as most AV equipment is of a fragile nature, possibly heavy and easily damaged if dropped.

If you do not fully understand the instructions or are not sure how to install this product safely, then please consult a professional for advice and/or to install this product for you. Failure to mount this product correctly may cause serious injury or death both during installation and at any time thereafter. Do not mount any AV equipment that exceeds the specific weight limit of the product you are installing. This weight limit will be clearly stated on each product and its packaging and will vary from product to product.

Product location

Please pay careful attention to where this product is located. Some ceilings are not suitable for installation.

If located in a public or frequently populated area ensure that the product is out of the immediate reach of people. If any AV equipment is to be suspended over the likely path or location of people then great care should be taken to secure all parts of the installation from falling.

When drilling holes in ceilings it is essential to avoid contact with electrical cables and water or gas pipes contained within. Use of a good quality live wire detector and hidden object locator is therefore recommended. Only drill into structures when you are sure it is safe to do so.

Fixing hardware

It is highly recommended that all wall fixing screws be used where supplied and that the purpose of all other fixing hardware is fully understood. In some cases more AV equipment fixing hardware will be supplied to accommodate different models of equipment and set up configurations.

The installer must be satisfied that any supplied fixing hardware is suitable for each specific installation. If any fixing screws or included hardware are deemed not sufficient for a safe installation then please consult a professional or your local hardware store.

Hazard limitation

When routing cables take advantage of any built in cable management features that the product might provide and ensure that all cables are tidy and secure. Check to see that any moving aspect of the product can do so unhindered by any cabling.

Some products have moving parts and the potential to cause injury through the crushing or trapping of fingers or other body parts.

Particular attention to the nature of moving parts is required especially when assembling installing and adjusting during set up.

Immediately after installations double-check that the work done is safe and secure. Double-check all necessary fixings are present and are of ample tightness.

It is recommended that periodic inspections of the product and its fixing points are made as frequently as possible to ensure that safety is maintained. If in doubt consult a professional AV installer or other suitably qualified person.

CS

Společnost B-Tech International Ltd. doporučuje provést instalaci tohoto produktu prostřednictvím odborného instalátora AV či jinak způsobilé osoby. Společnost B-Tech International Ltd, její distributoři a prodejci nenesou odpovědnost za škody nebo zranění způsobená nevhodnou instalací. Tento výrobek je nutno umístit do vhodné konstrukce a používat jen po uvedené maximální výšce.

DE

B-Tech International Ltd. empfiehlt, dass dieses Produkt durch einen qualifizierten AV-Techniker oder eine andere Person mit geeigneter Qualifikation installiert wird. B-Tech International Ltd, ihre Distributoren und Händler können nicht für durch fehlerhafte Montage verursachte Beschädigung oder Verletzung haftbar bzw. verantwortlich gemacht werden. Dieses Produkt muss auf eine geeigneten Untergrund montiert werden und darf nur bis zum angegebenen Höchstgewicht verwendet werden.

ES

B-Tech International Ltd. recomienda que un instalador de audio y video profesional u otra persona debidamente cualificada instalen este producto. B-Tech International Ltd, sus distribuidores y concesionarios no se hacen cargo ni se responsabilizan de ningún daño o lesión provocados por una instalación inapropiada. Este producto se debe montar en una estructura adecuada y se debe utilizar soportando solamente hasta el peso máximo indicado.

FR

B-Tech International Ltd. recommande de confier l'installation de ce produit à un installateur AV professionnel ou à une autre personne dûment qualifiée. B-Tech International Ltd, ses distributeurs et ses revendeurs ne sauraient être tenus responsables de tout dégat ou de toute blessure résultant d'une installation incorrecte. Ce produit doit être monté sur un support approprié et utilisé dans la limite du poids maximum indiqué.

IT

B-Tech International Ltd. consiglia di affidare l'installazione di questo prodotto a un installatore specializzato o ad altra persona adeguatamente qualificata. B-Tech International Ltd, i suoi distributori e rivenditori non accettano alcuna responsabilità nei riguardi di eventuali danni o infortuni causati da un'errata installazione. Questo prodotto deve essere fissato a una struttura idonea e utilizzato unicamente sino al peso massimo indicato.

NL

B-Tech International Ltd. adviseert om dit product te laten installeren door een professionele AV-instalateur of andere hiervoor gekwalificeerde persoon. B-Tech International Ltd, haar distributeurs en dealers zijn niet aansprakelijk of verantwoordelijk voor schade of letsel die is veroorzaakt door onoordeelkundige installatie. Dit product moet worden gemonteerd aan een geschikte constructie, waarbij het aangegeven maximum gewicht niet mag worden overschreden.

PL

Firma B-Tech International Ltd. zaleca, aby ten produkt był instalowany przez profesjonalnych instalatorów AV lub inny odpowiednio przeszkolony personel. Firma B-Tech International Ltd, jej dystrybutorzy i dealerzy nie ponoszą odpowiedzialności za uszkodzenia lub obrażenia ciała powstałe w wyniku nieprawidłowej instalacji. Niniejszy produkt musi być zamontowany na odpowiedniej powierzchni, a podczas użytkowania nie wolno przekraczać podanego maksymalnego obciążenia.

PT

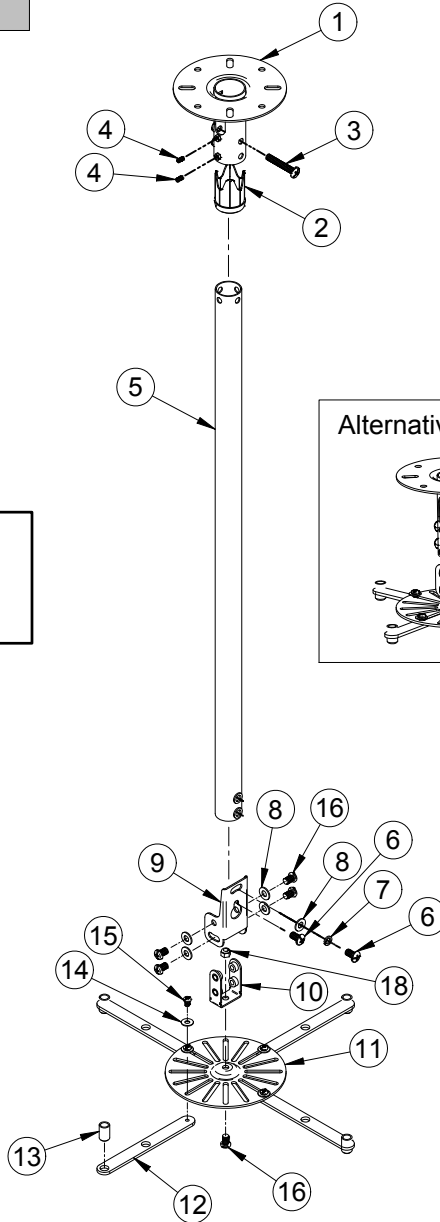
A B-Tech International Ltd. recomenda que a instalação deste produto seja efectuada por um instalador de AV profissional ou outra pessoa devidamente habilitada. A B-Tech International Ltd. e os seus distribuidores e concessionários não são responsáveis por danos ou lesões causados por uma instalação incorrecta. Este produto tem de ser montado numa estrutura adequada e utilizado somente até ao peso máximo indicado.

RU

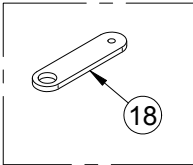
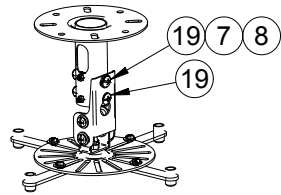
Компания B-Tech International Ltd. рекомендует, чтобы установка данного изделия производилась инженером по установке аудио-видеотехники или другим специалистом с соответствующей квалификацией. Компания B-Tech International Ltd., ее дистрибьюторы и дилеры не несут ответственности за повреждения или травмы, полученные в результате неправильной установки. Данное изделие должно

**BT5890-100
PARTS LIST**

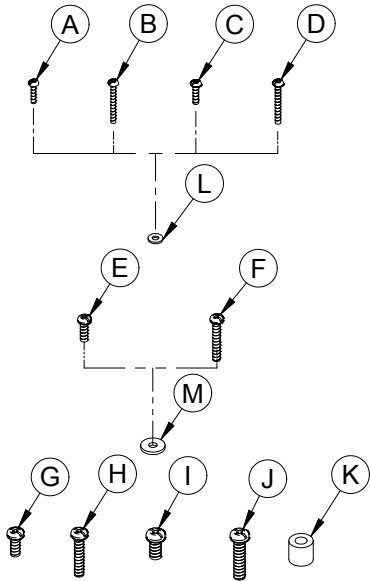
Suitable for loads
up to
10kg (22lbs)



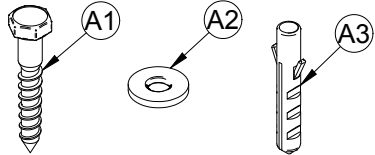
Alternative Mounting Option



**PROJECTOR
INTERFACE KIT
(FOR ATTACHING MOUNT TO
PROJECTOR)**



**CEILING FIXING KIT
(FOR FIXING MOUNT TO CEILING)**

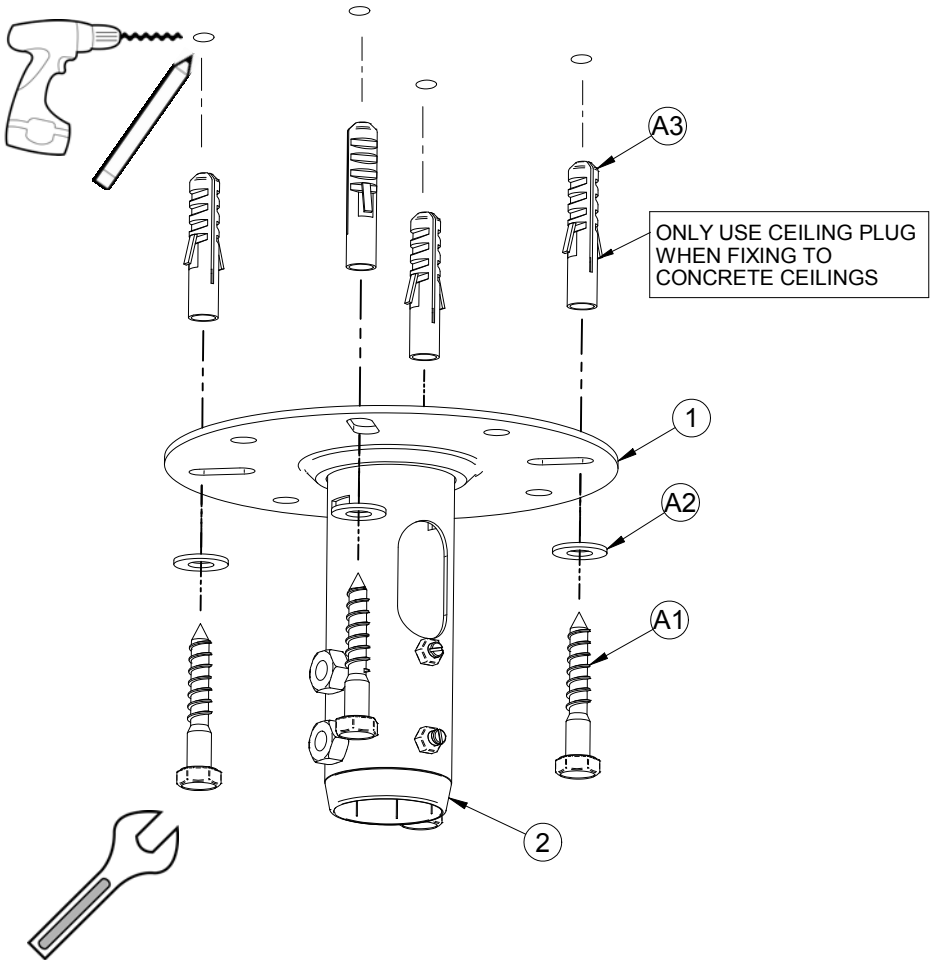


REF	PART NAME	QTY
1	CEILING PLATE	1
2	42mm TRIM	1
3	M8 x 50mm SCREW	1
4	M5 x 10mm GRUB SCREW	2
5	35mm POLE - LENGTH 0.85m	1
6	M8 x 15mm SCREW	2
7	M8 SPRING WASHER	4
8	M8 METAL WASHER	7
9	TILT PLATE	1
10	SWIVEL PLATE	1
11	CAROUSEL	1
12	LONG LEG	4
13	MOUNTING SCREW	4
14	M6 METAL WASHER	4
15	M6 x 8mm SCREW	4
16	M8 x 12mm SCREW	5
17	M8 NYLOC NUT	1
18	SHORT LEG	4
19	M8 x 55mm SCREW	2
INTERFACE KIT		
A	M2.5 x 12mm SCREW	4
B	M2.5 x 25mm SCREW	4
C	M3 x 12mm SCREW	4
D	M3 x 25mm SCREW	4
E	M4 x 12mm SCREW	4
F	M4 x 25mm SCREW	4
G	M5 x 12mm SCREW	4
H	M5 x 25mm SCREW	4
I	M6 x 12mm SCREW	4
J	M6 x 25mm SCREW	4
K	SPACER (FOR PARTS B, D, F, H & J)	4
L	M3 METAL WASHER (FOR PARTS A-D)	4
M	M4 METAL WASHER (FOR PARTS E & F)	4
FIXING KIT		
A1	M8 x 50mm COACH SCREW	4
A2	M8 METAL WASHER (FOR PART A1)	4
A3	No. 10 WALL PLUG (FOR PART A1)	4

INSTALLATION INSTRUCTIONS

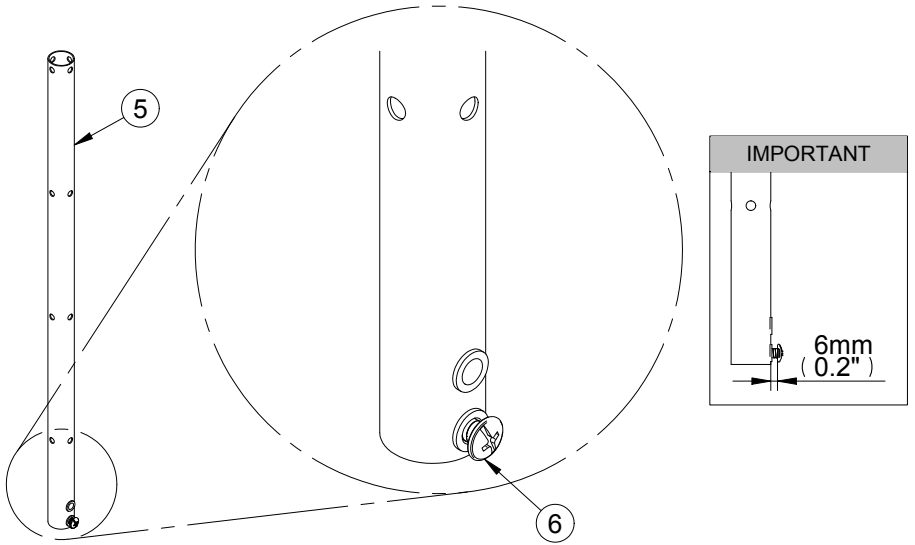
1

Fix the part 1 to the ceiling.

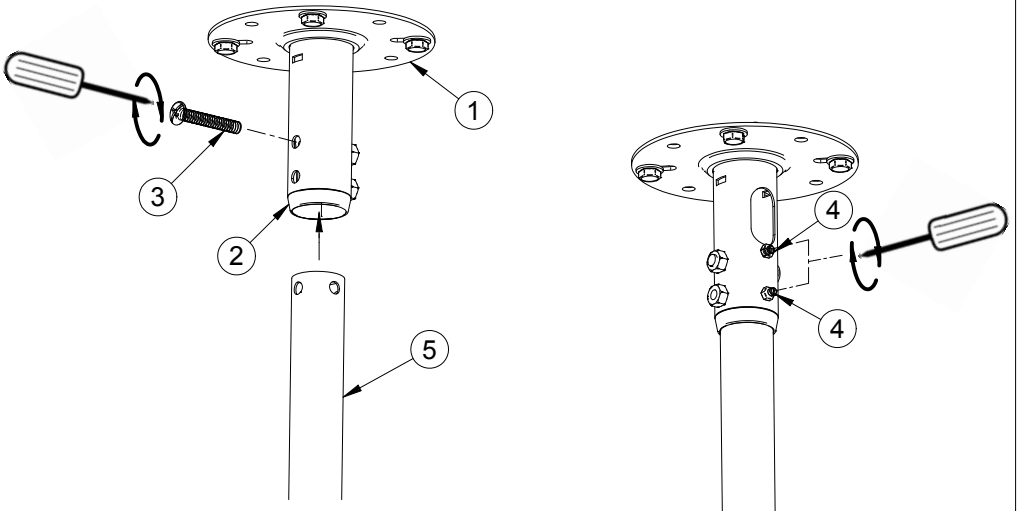


2

i. Fix one part 6 into part 5 as shown, leaving 6mm of thread showing.



ii. Attach part 5 to part 1.



3

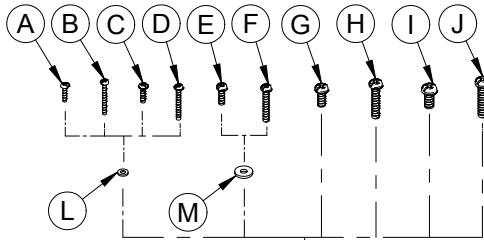
There are two methods of attaching the mount to the projector, depending on the projector fixing pattern.

A. 75 x 75mm & 100 x 100mm (page 8)

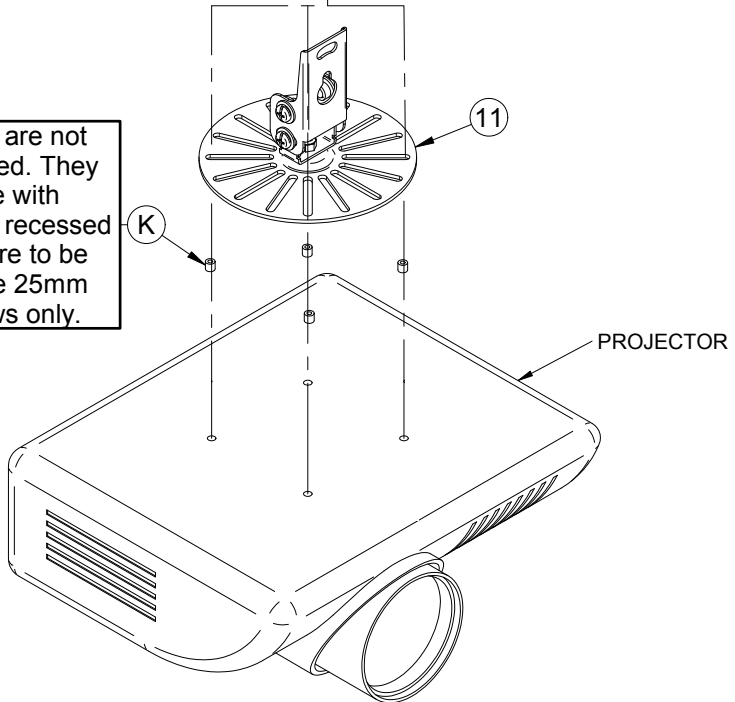
B. All other fixing patterns up to 493mm apart (page 9)

A

Attach the part 7 directly to the projector.

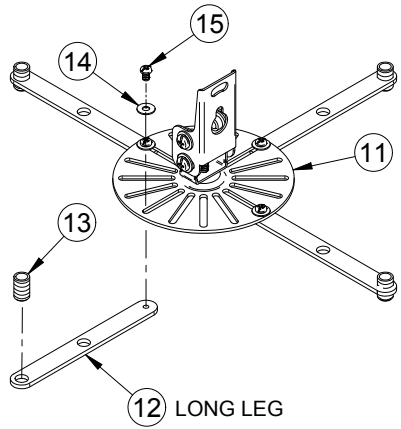
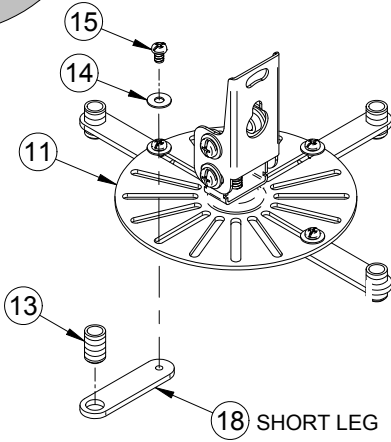


The spacers are not always required. They are for use with projectors with recessed fixings and are to be used with the 25mm length screws only.

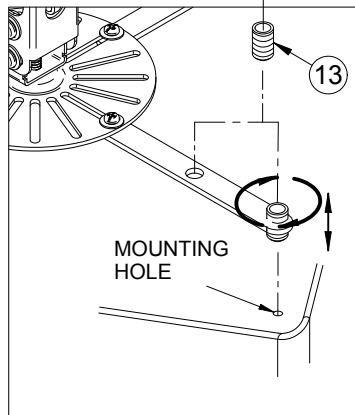
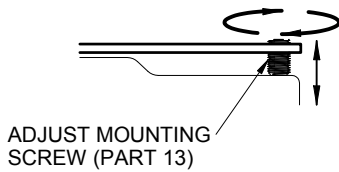
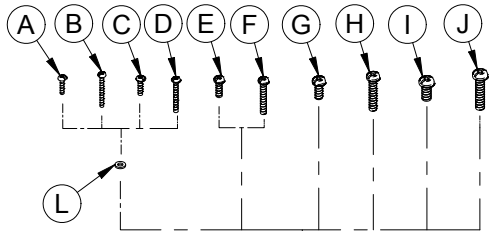
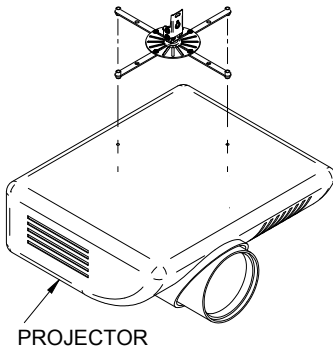


B

i. Attach parts 12 / 18 to the carousel.

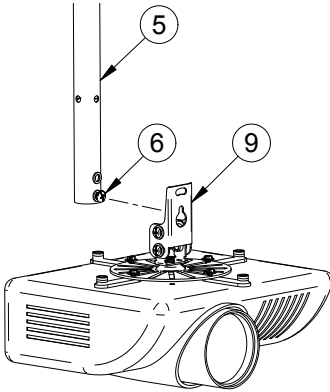


ii. Attach the mount to the projector.



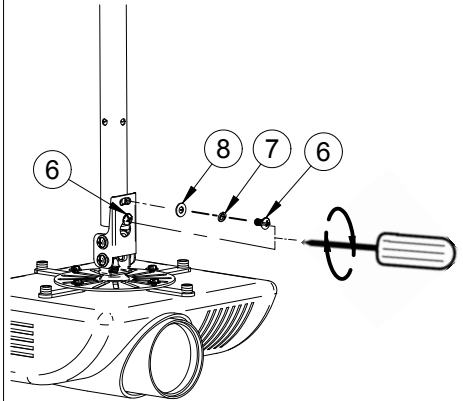
4

Hook part 9 onto part 6 using the keyhole fixing.



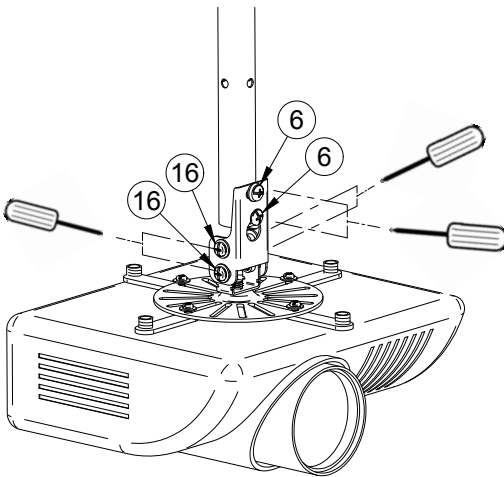
5

Secure the mount using parts 6, 7 & 8 provided.

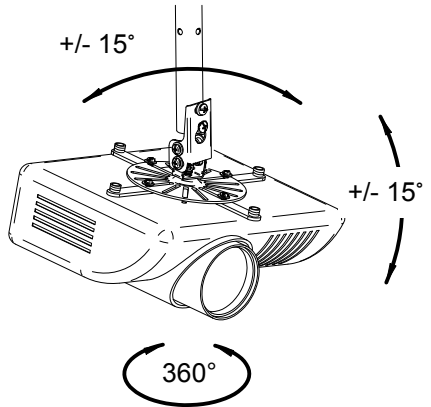


6

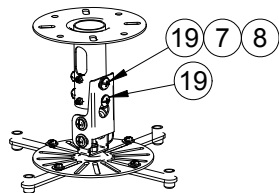
To tilt and roll, loosen parts 6 & 16, adjust and re-tighten.



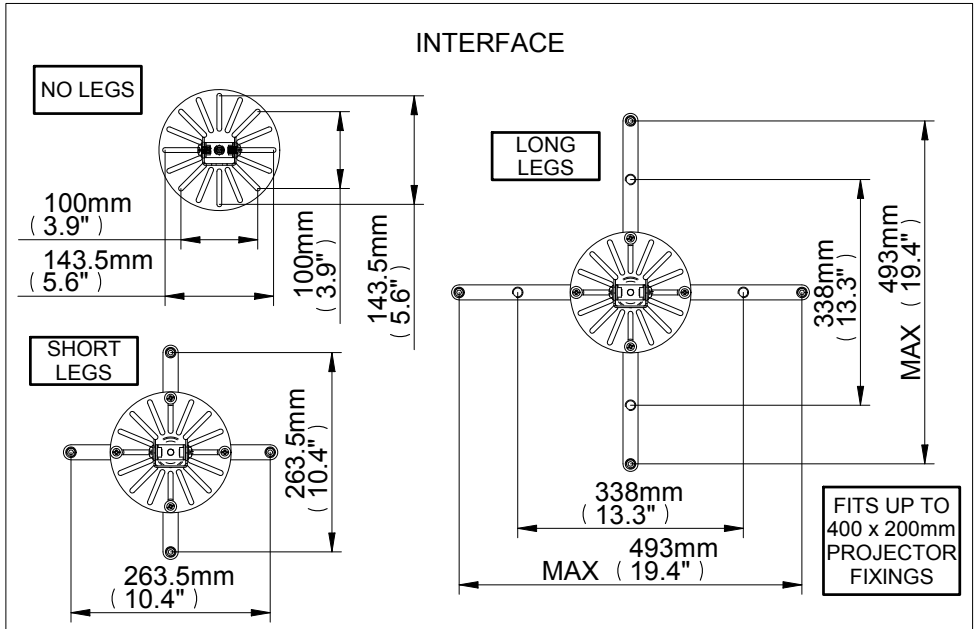
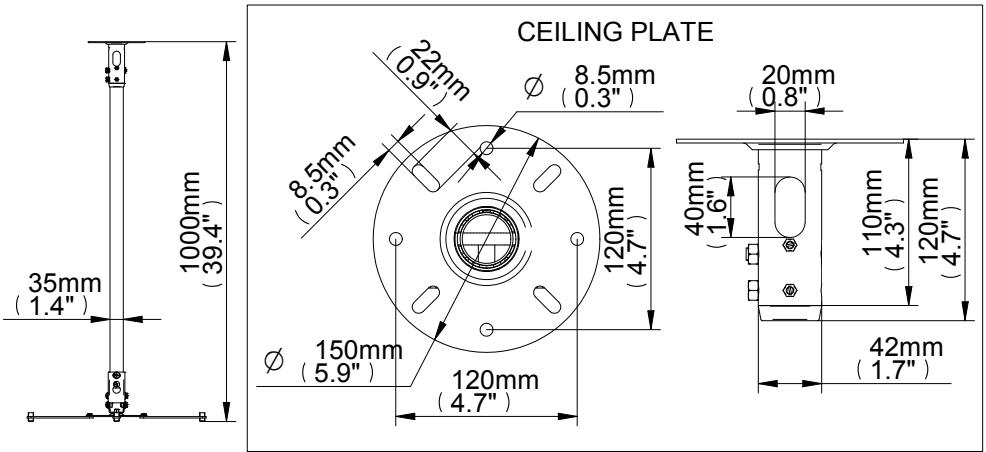
+/- 15°



Alternative Mounting Option



BT5890-100 PRODUCT DIMENSIONS





BETTER BY DESIGN™

www.btechavmounts.com

B-TECH AUDIO VIDEO MOUNTS

HEAD OFFICE

B-Tech International Limited

Bennett House, Long March, Daventry, Northants., NN11 4NR, UK

Email: info@btechavmounts.co.uk

BELGIUM

B-Tech Pro-AV BVBA

Brixtonlaan 32, Zaventem 1930,
Brussels, Belgium

Email: info@btechproav.com

GERMANY

B-Tech Deutschland GmbH

Dyrotzer Weg 26A,
14612 Falkensee, Germany

Email: info@btechdeutschland.de

SPAIN

B-Tech International (Iberia) S.L.

C/ de les Morenes, 53
08820 El Prat de Llobregat (BCN), Spain

Email: info@btechiberia.com

ASIA PACIFIC

B-Tech International (Hong Kong) Ltd

1109 Prosperity Millennia Plaza,
Quarry Bay, Hong Kong

Email: info@btechavmounts.com.hk

SINGAPORE

B-Tech AV Mounts Pte Ltd

Ruby Industrial Complex,
Singapore 347740

Email: info@btechavmounts.com.sg

©2013 B-Tech International Limited. All rights reserved.
B-Tech Audio Video Mounts is a division of B-Tech International Limited.
B-Tech & Better By Design are registered trademarks of B-Tech International Limited.
All other brands and product names are trademarks of their respective owners.
Photographs are for illustrative purposes only. E&OE.

IP-BT5890-100-V1-PROBX-060213-03 MADE IN CHINA