

Projector Ceiling Mount

For more information please visit www.btechavmounts.com/BT5890

BT5890



BT5890

Projector Ceiling Mount

Designed for LCD/LED/DLP projectors up to 10kg (22lbs)

- Integrated cable management
- Keyhole 'hook-on' feature for easy installation
- +/- 15° tilt adjustment, +/- 15° roll adjustment and 360° swivel
- Maximum distance between any 2 fixing points: 493mm
- Maximum fixing square: 300 x 300mm or 400 x 200mm
- Projector can be mounted directly to the carousel
- Suitable for projectors using M2.5, M3, M4, M5 and M6 fixings
- Supplied with safety bolt for a secure installation
- Additional holes along pole length allow pole to be cut to desired length (not applicable to BT890-100)
- Ceiling fixings and all mounting hardware included
- Available in Black and White
- Available in four lengths

BT5890-010:

Short Drop Projector Ceiling Mount

Ceiling drop: 190mm (7.5")

BT5890-075:

Medium Drop Projector Ceiling Mount

Ceiling drop: 895mm (35.2")

BT5890-100:

Medium Drop Projector Ceiling Mount

Ceiling drop: 1000mm (39.4")

BT5890-150:

Long Drop Projector Ceiling Mount

Ceiling drop: 1645mm (64.8")



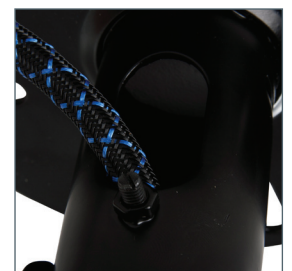
Available in Black or White



Supplied with safety bolt for a secure installation



+/- 15° tilt adjustment, +/- 15° roll adjustment and 360° swivel

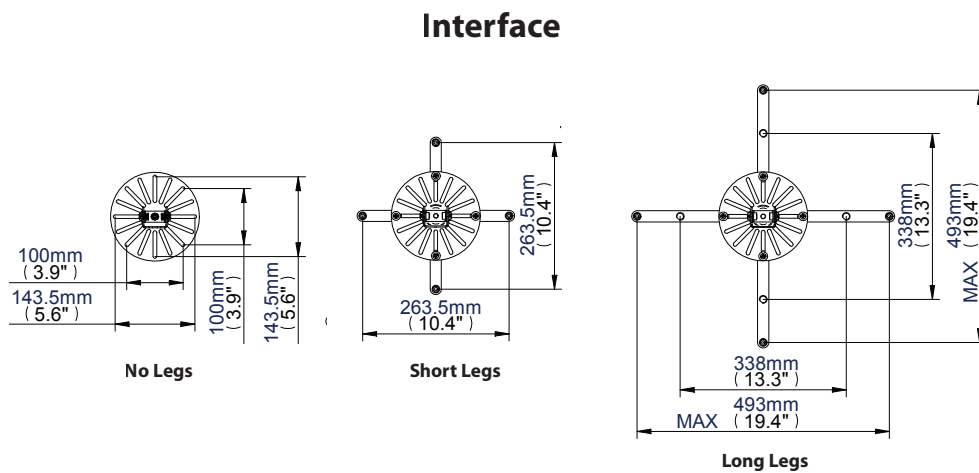
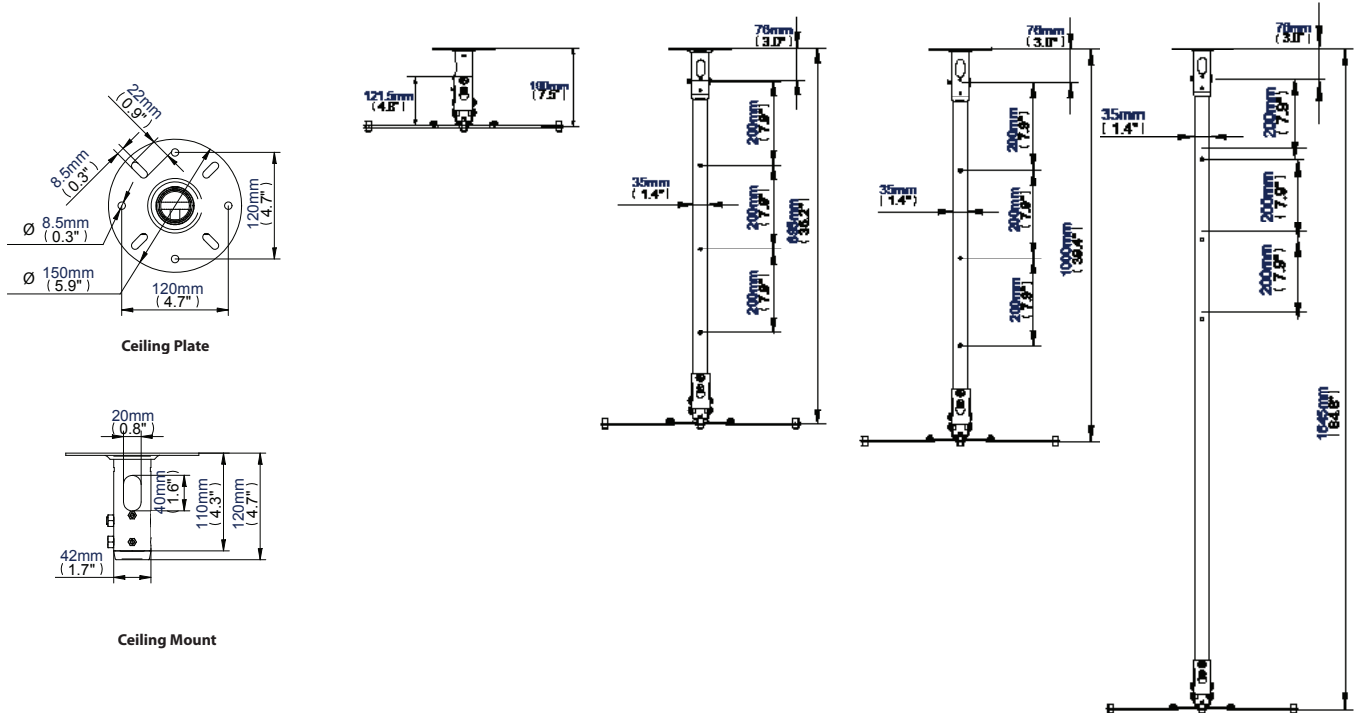


Integrated cable management

Projector Ceiling Mount

For more information please visit www.btechavmounts.com/BT5890

BT5890



Product Code:	Colour:	Order Ref:	EAN Code:
BT5890-075	Black	BT5890-075/B	5019318551130
BT5890-075	White	BT5890-075/W	5019318551147

This information is intended as a guide only and reflects the current specification at the time of print.
B-Tech accepts no liability for the accuracy of the information contained in this document.