

Flat Screen Ceiling Mount with Tilt Designed for screens up to 32"

 For more information please visit www.btechavmounts.com/BT5833

BT5833



BT5833

Flat Screen Ceiling Mount with Tilt

Designed for screens up to **32" (81cm) / 25kg (55lbs)**

- Suitable for screens using VESA® fixings up to 200 x 200mm
- Features +/- 40° Tilt
- Ceiling drop to centre of mount: 795mm (31.3")
- Security locking screw and allen key provided
- Integrated cable management
- Additional holes along pole length allow pole to be cut to desired length
- Simple 'hook-on' installation
- Supplied with safety bolt for a secure installation
- Ceiling fixings and all mounting hardware included
- Available in Black and White
- Available in two lengths:

BT5832-075:

Flat Screen Ceiling Mount with Tilt
Ceiling drop to centre of mount: 795mm (31.3")

BT5832-150:

Flat Screen Ceiling Mount with Tilt
Ceiling drop to centre of mount: 1545mm (60.8")



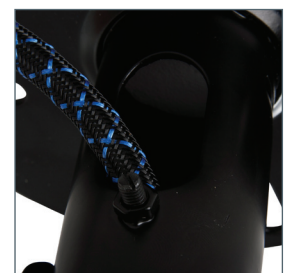
Available in Black or White



Supplied with safety bolt for a secure installation



Available in two lengths:
BT5833-075 and BT5833-150

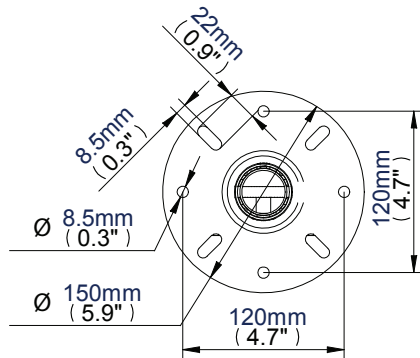


Integrated cable management

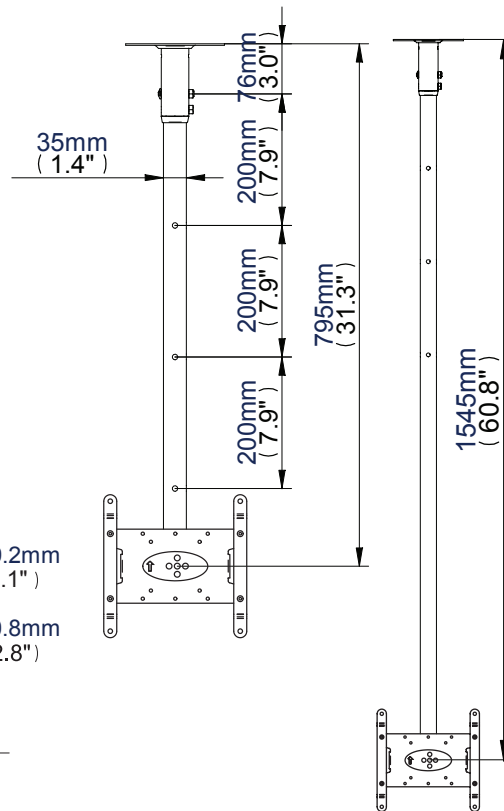
Flat Screen Ceiling Mount with Tilt Designed for screens up to 32"

For more information please visit www.btechavmounts.com/BT5833

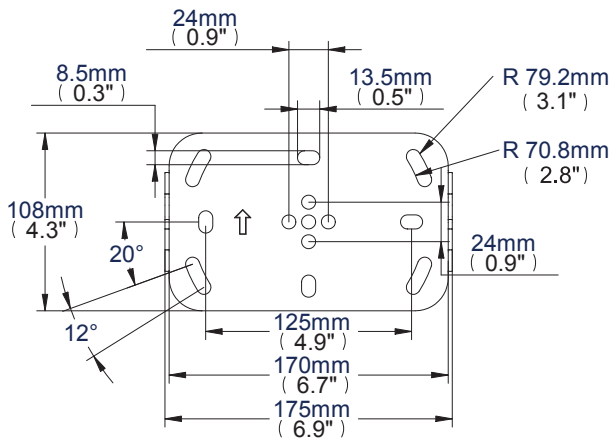
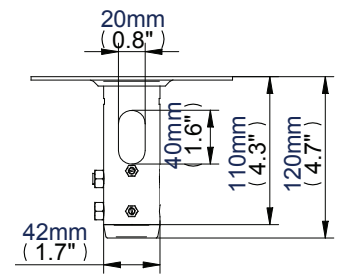
BT5833



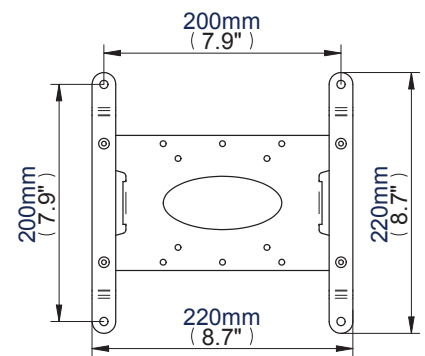
Ceiling Plate



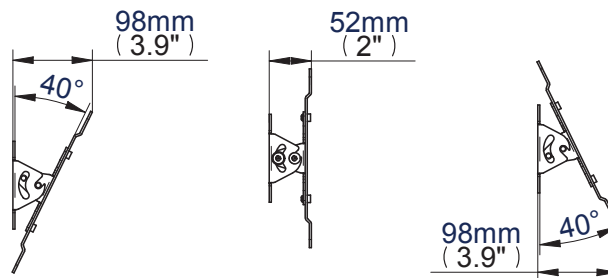
Ceiling Mount



Pole Plate



Interface Plate



Tilt - Side View

Product Code:	Colour:	Order Ref:	EAN Code:
BT5833-075	Black	BT5833-075/B	5019318551277
BT5833-075	White	BT5833-075/W	5019318551352

Product Code:	Colour:	Order Ref:	EAN Code:
BT5833-150	Black	BT5833-150/B	5019318551277
BT5833-150	White	BT5833-150/W	5019318551352

**This information is intended as a guide only and reflects the current specification at the time of print.
B-Tech accepts no liability for the accuracy of the information contained in this document.**