

Flat Screen Ceiling Mount Designed for screens up to 23"

For more information please visit www.btechavmounts.com/BT5810

BT5810



BT5810

Flat Screen Ceiling Mount

Designed for screens
up to 23" (58cm) / 20kg (44lbs)

- Suitable for screens using VESA® fixings up to 100 x 100mm
- Security locking screw and allen key provided
- Integrated cable management
- Additional holes along pole length allow pole to be cut to desired length
- Simple 'hook-on' installation
- Supplied with safety bolt for a secure installation
- Ceiling fixings, coverplate and all mounting hardware included
- Available in Black or White
- Available in two lengths:

BT5810-075:

Flat Screen Ceiling Mount

Ceiling drop to centre of mount: 795mm (31.3")

BT5810-150:

Flat Screen Ceiling Mount

Ceiling drop to centre of mount: 1545mm (60.8")



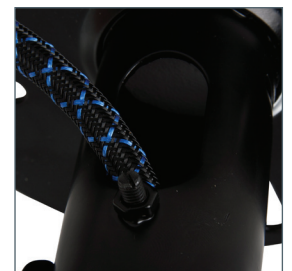
Available in Black or White



Supplied with safety bolt for a secure installation



Available in two lengths:
BT5810-075 and BT5810-150

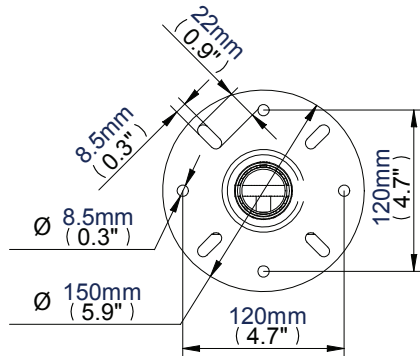


Integrated cable management

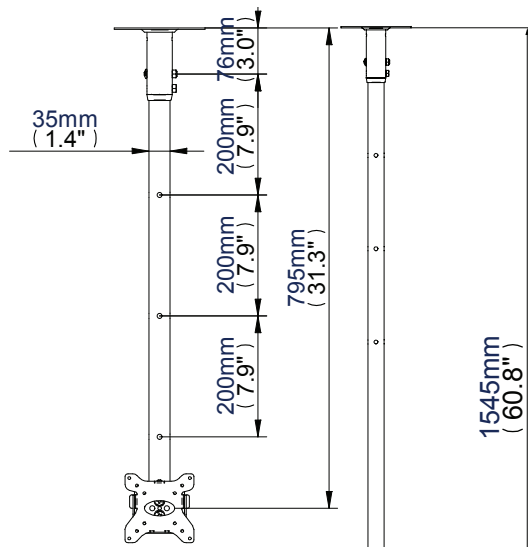
Flat Screen Ceiling Mount Designed for screens up to 23"

For more information please visit www.btechavmounts.com/BT5810

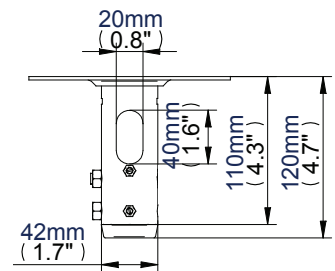
BT5810



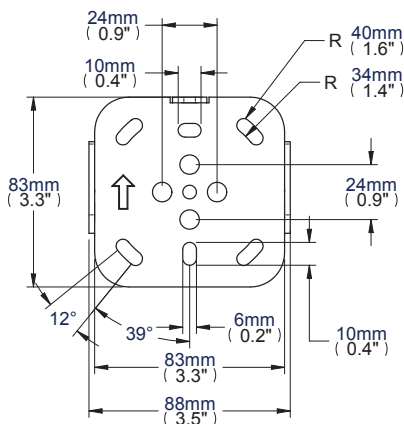
Ceiling Plate - Top View



BT5810-075 - Front View

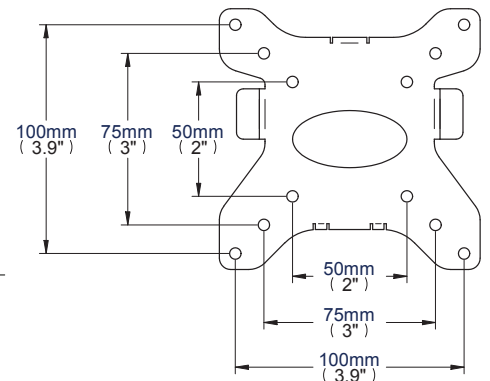


Ceiling Mount - Side View

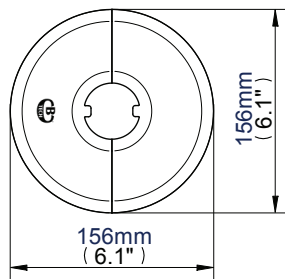


Pole Plate - Top View

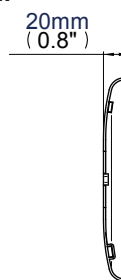
BT5810-150 - Front View



Interface Plate - Front View



Coverplate - Top View



Coverplate - Side View

Product Code:	Colour:	Order Ref:	EAN Code:
BT5810-075	Black	BT5810-075/B	5019318551178
BT5810-075	White	BT5810-075/W	5019318551291

Product Code:	Colour:	Order Ref:	EAN Code:
BT5810-150	Black	BT5810-150/B	5019318551178
BT5810-150	White	BT5810-150/W	5019318551291

**This information is intended as a guide only and reflects the current specification at the time of print.
B-Tech accepts no liability for the accuracy of the information contained in this document.**

© 2014 B-Tech International Limited. All rights reserved.
The information in this specification sheet reflects the current technical specifications at the time of print. We reserve the right to change the technical or physical specifications without prior notice.
The B-Tech name, the B-Tech logo, Better by Design and System V are all registered trademarks of B-Tech International Ltd. All other brands and products are trademarks of their respective owners.
All B-Tech images and symbols are exclusive property of B-Tech International Ltd. B-Tech accepts no liability for loss or damage caused by improper installation or mounting on unsuitable structures.
Any reproduction or retransmission or republication of any part of this specification sheet is strictly prohibited, unless prior written permission has been granted by B-Tech International Ltd. E60E.