

Large Back-to-Back Floor Base

 For more information please visit www.btechavmounts.com/BT4102

BT4102

PRO INSTALL™



BT4102

Large Back-to-Back Floor Base

**Designed for screens up to
65" (165cm) / 70kg (154lbs) (per side)**

- Stylish large floor base designed to mount screens in a back-to-back format
- Suitable for use with multiple large flat screens
- Can be used free standing or bolted to the floor
- Supplied with optional rubber feet for use when free standing
- Base Dimensions: 890mm x 850mm (35" x 33.4")
- Base steel thickness: 6mm
- Base height: 12mm or 22mm when rubber feet are used
- Available in Black
- *SUPPORT COLUMNS AND SCREEN INTERFACE KIT SOLD SEPARATELY*



*Back-to-Back mount
multiple screens.*



*Multiple screens up to 65" can
be mounted Back-to-Back.*



*Simply mount just one screen.
Poles available from 0.5m up to 2m.*

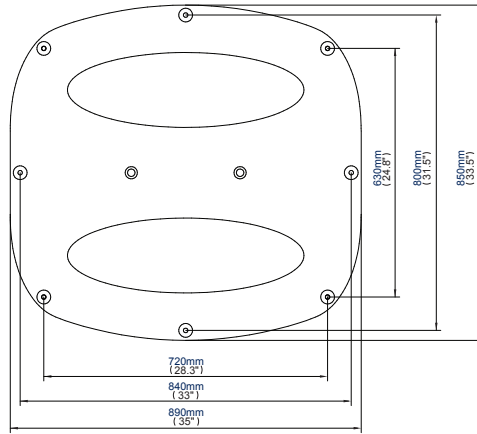


*Portrait mounting available
for striking visuals.*

Large Back-to-Back Floor Base

For more information please visit www.btechavmounts.com/BT4102

BT4102



Top View



Side View

Colour:	Order Ref:	EAN Code:	Master Carton Qty:	Inner Carton Qty:	Master Carton Weight:	Master Carton Cube:
Black	BT4102/B	5019318079344	1	0	25kg (55lbs)	0.058cbm (2.05cuft)

OFF-THE-SHELF PRODUCT COMBINATION PACKAGES WHICH INCLUDE BT4102



BT8551
Single Screen up to 50"
Available with 1m, 1.5m or 2m poles



BT8552
Back-to-Back Screens up to 50"
Available with 1m, 1.5m or 2m poles



BT8553
Single Screen up to 65"
Available with 1m, 1.5m or 2m poles



BT8554
Back-to-Back Screens up to 65"
Available with 1m, 1.5m or 2m poles

(Many other combinations are available from B-Tech such as double Back-to-Back and Portrait mounting as shown on the first page. Please contact a B-Tech sales representative who will configure your mounting solution)

This information is intended as a guide only and reflects the current specification at the time of print. B-Tech accepts no liability for the accuracy of the information contained in this document.