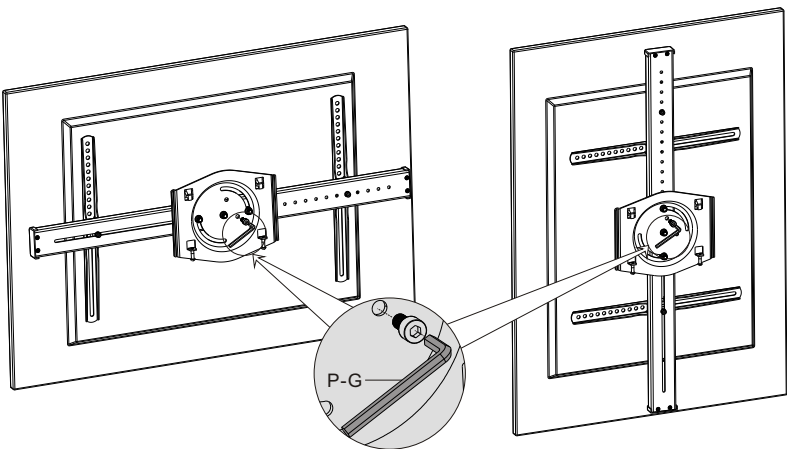
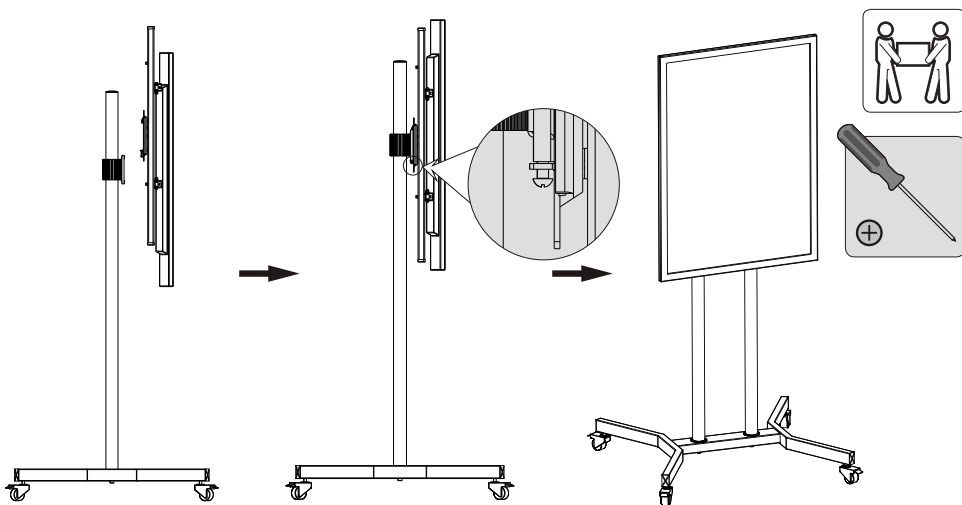


6b. Portrait View



Loosen the screw on the screen mount plate with a 6mm Allen key, the screen can be rotated 90° and then secured with removed screw in another hole position.



- Hang the screen onto the screen mount bracket.
- Tighten the bottom screws to secure the bracket to the universal plate.

**Maintenance**

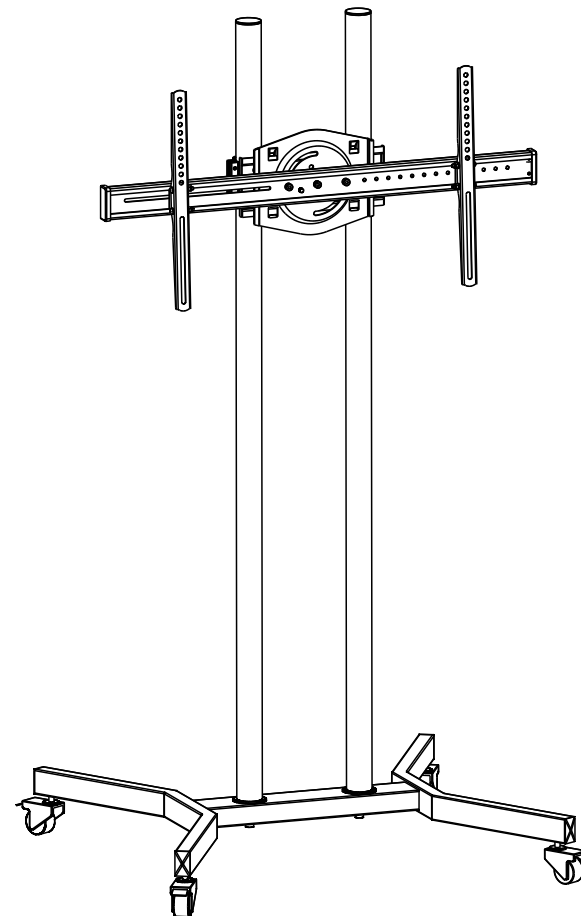
- Check that the bracket is secure and safe to use at regular intervals (at least every three months).
- Please contact your distributor if you have any questions.

reflecta gmbh  
Mercurstrasse 8  
72184 Eutingen i.G.  
Germany

mail@reflecta.de  
www.reflecta.de

INSTALLATION MANUAL

# Public Mobile TV Cart



**CAUTION:** DO NOT EXCEED RATED LISTED WEIGHT. SERIOUS INJURY OR PROPERTY DAMAGE MAY OCCUR!

**23201**

 300x300/400x200  
400x400/600x400  
800x400

 **70"**  
MAX

 **40kg**  
(88lbs)  
RATED

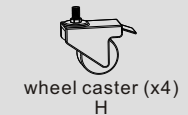
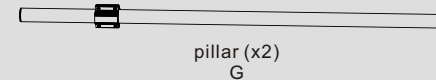
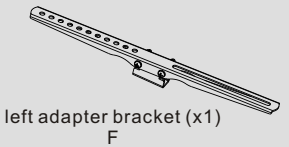
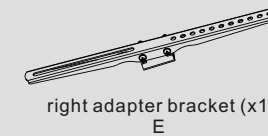
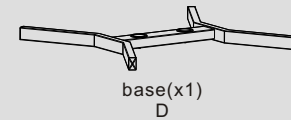
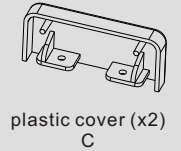
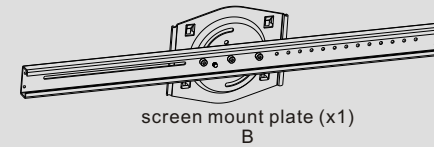
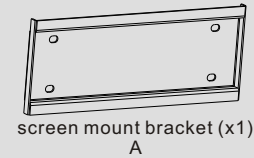
ISSUED: MAR.2013

**NOTE:** Read the entire instruction manual before you start installation and assembly.

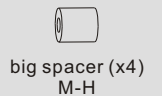
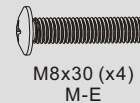
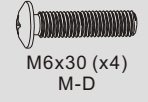
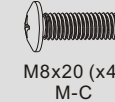
## WARNING

- Do not begin the installation until you have read and understood all the instructions and warnings contained in this installation sheet. If you have any questions regarding any of the instructions or warnings, please contact your local distributor.
- This mounting bracket was designed to be installed and utilised ONLY as specified in this manual. Improper installation of this product may cause damage or serious injury.
- Always use an assistant or mechanical lifting equipment to safely lift and position the equipment.
- Tighten screws firmly, but do not over tighten. Over tightening can cause damage to the items, This greatly reduces their holding power.
- This product is intended for indoor use only. Using this product outdoors could lead to product failure and personal injury.
- The display stand is not affixed or secured to the floor and may therefore tip over or fall if screen or stand is shaken or hit. Do not let children play alone around stand as they could get hurt by a falling screen. Not recommended for use in areas with heavy traffic.

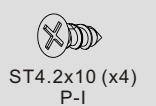
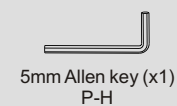
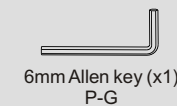
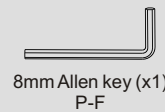
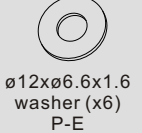
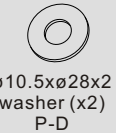
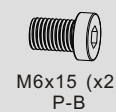
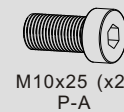
**IMPORTANT:** Ensure that you have received all parts according to the component checklist prior to installation. If any parts are missing or faulty, telephone your local distributor for a replacement.



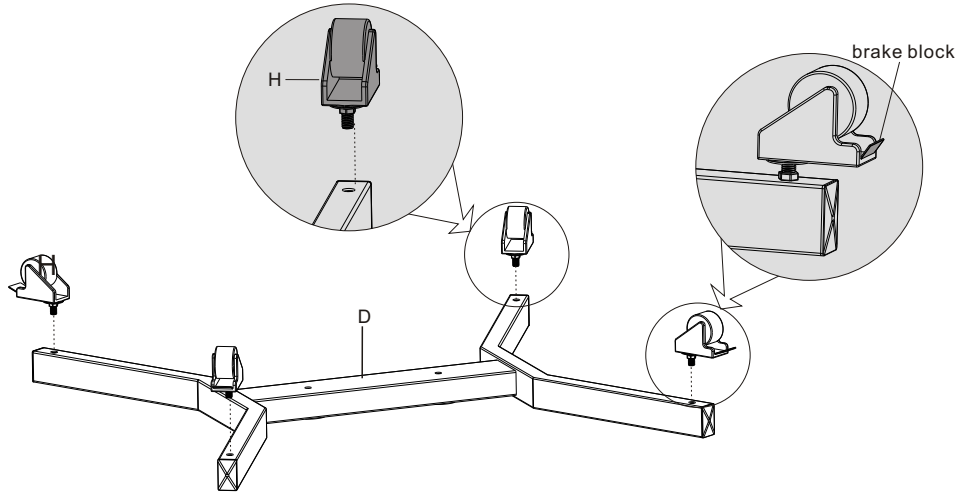
### Package M



### Package

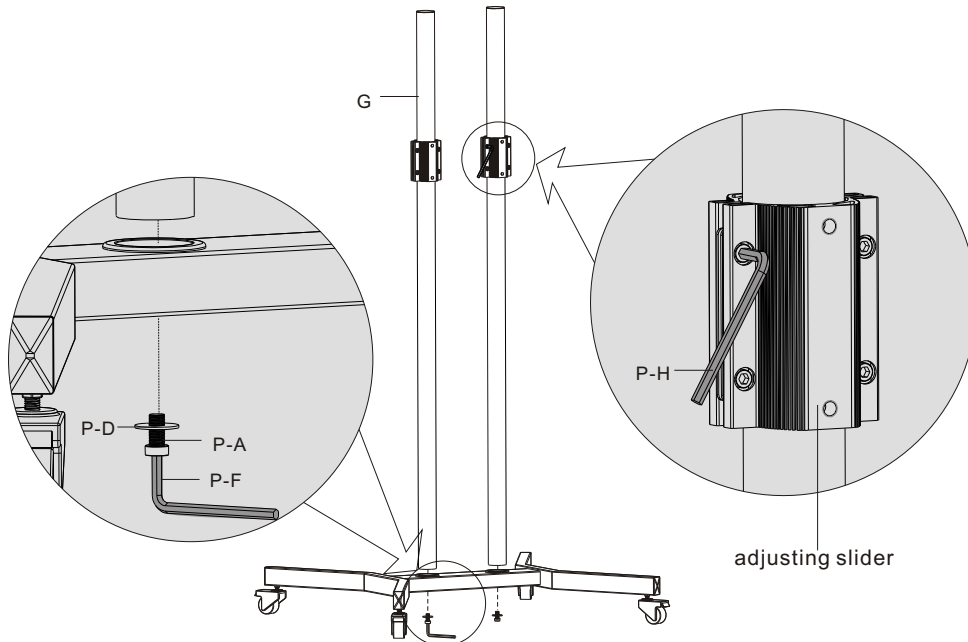


## 1. Installing the Wheel Casters



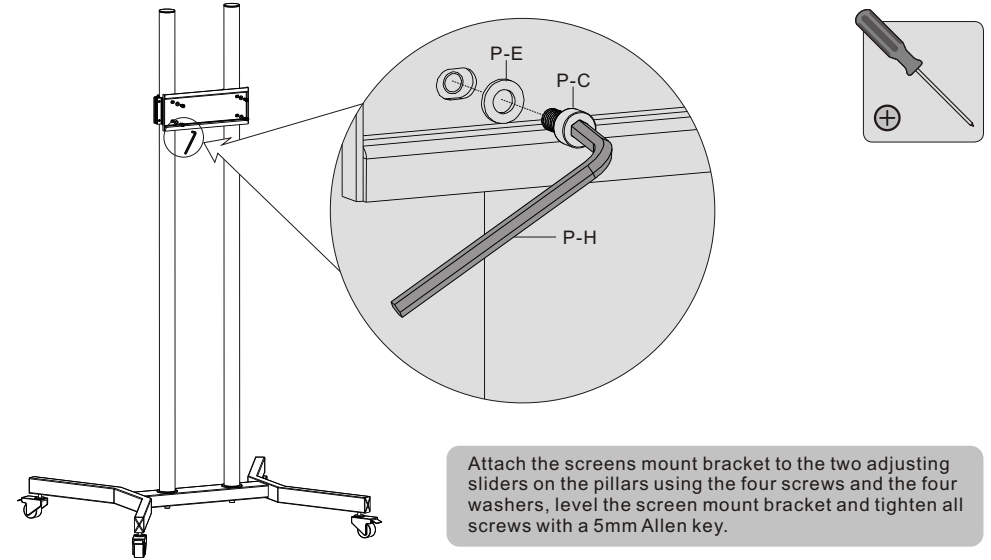
Insert the four wheel casters into the holes of base and tighten the nuts of the wheel casters to secure them.  
**Note:** Lock the brakes on casters to avoid any sudden movements during installation.

## 2. Installing the Pillars



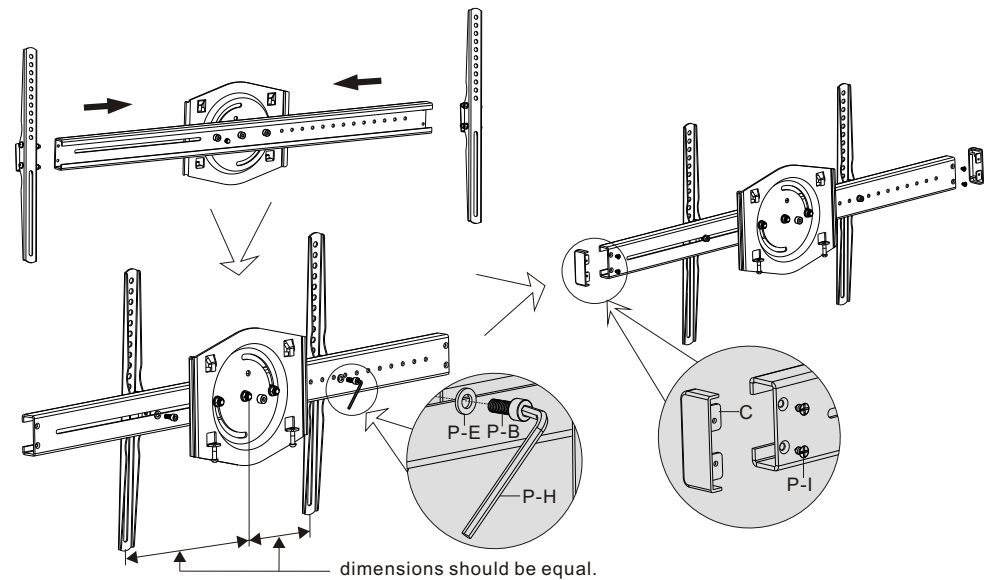
Attach the two pillars to the base using screws and washers, tighten screws using a 8mm Allen key, loosen the screws on the adjusting sliders and adjust them to desired position using a 5mm Allen key.

## 3. Installing the Screens Mount Bracket



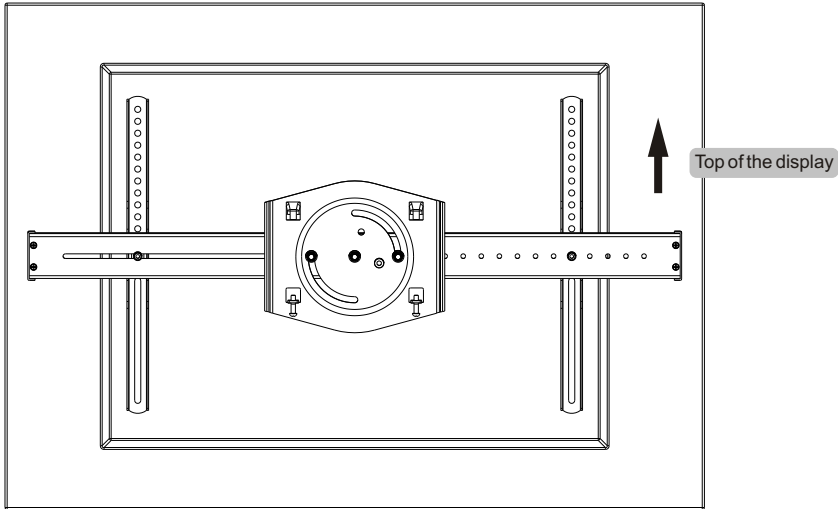
Attach the screens mount bracket to the two adjusting sliders on the pillars using the four screws and the four washers, level the screen mount bracket and tighten all screws with a 5mm Allen key.

## 4. Installing the Screens Mount Plate

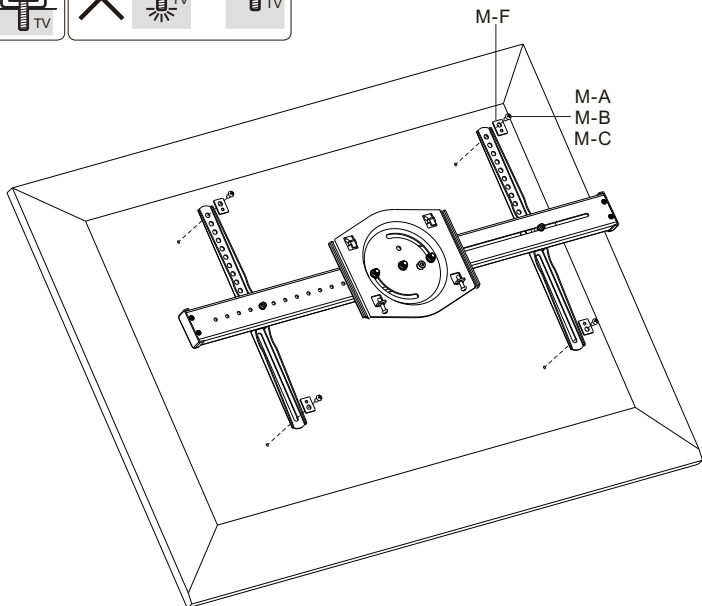
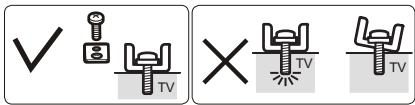


• According to the display mounting holes, insert the two adapter brackets into the appropriate position along the plate rail and secure them with two screws and two washers, Make sure the two adapter brackets are level, tighten all screws with a 5mm Allen key.  
 • Insert the two plastic covers into both ends of plate and secure them with screws.

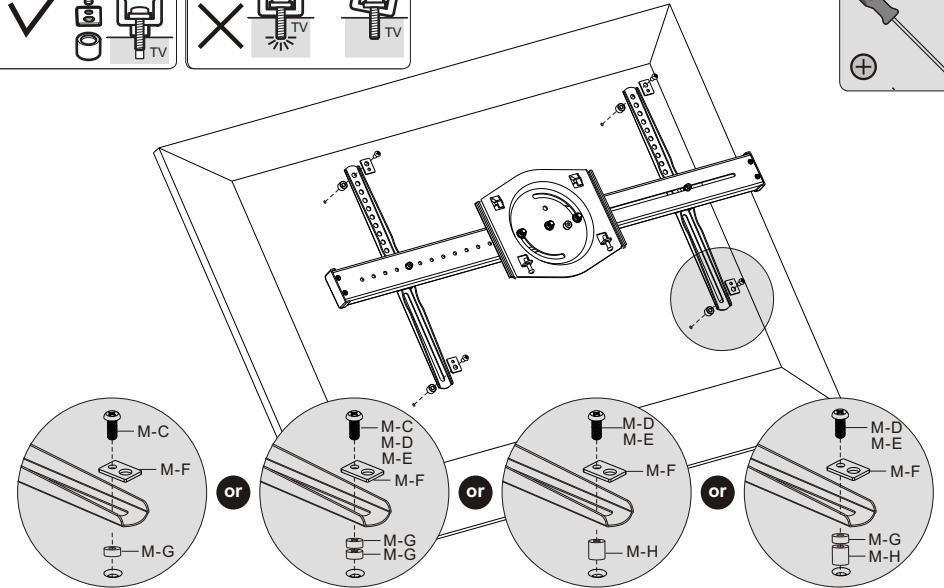
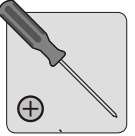
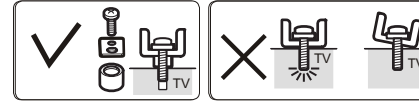
## 5. Installing the Adapter Brackets



### 5-1 For Flat Back Screens



### 5-2 For Recessed Back Screens or to Access A/V Inputs



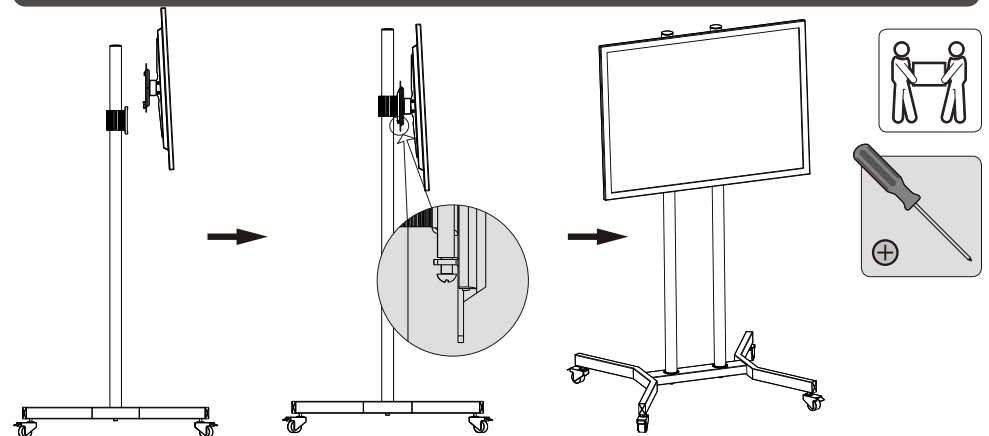
**Note:** Choose the appropriate screws, washers and spacers (if necessary) according to the type of screen.

- Position the adapter brackets as close as possible to the center of the display.
- Screw the adapter brackets onto the display.

**!** Tighten all screws but do not over tighten.

## 6. Hanging the Screen onto the Screen Mount Bracket

### 6a. Landscape View



Tighten the bottom screws to secure the bracket to the universal plate.