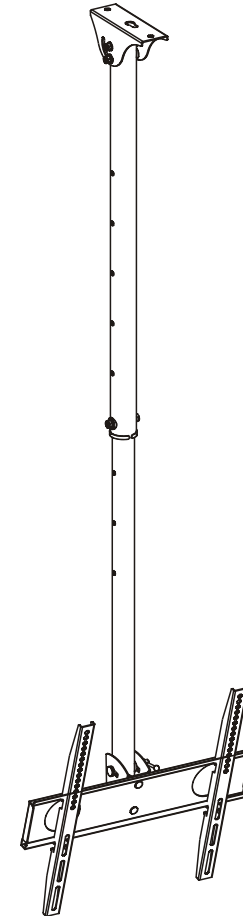


reflecta gmbh
Mercurstrasse 8
72184 Eutingen i.G.
Germany

mail@reflecta.de
www.reflecta.de

INSTALLATION MANUAL

Flat Panel Ceiling Mount



CAUTION: DO NOT EXCEED RATED LISTED WEIGHT. SERIOUS INJURY OR PROPERTY DAMAGE MAY OCCUR!

23125

 200x200/400x200
300x300/400x400

 **55"**
MAX

 **50kg**
(110lbs)
RATED

ISSUED: MAY. 2013

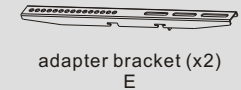
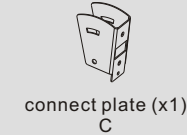
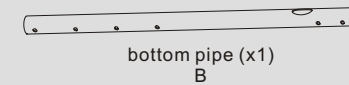
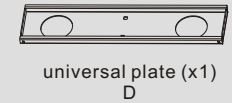
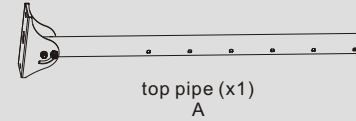
NOTE: Read the entire instruction manual before you start installation and assembly.

⚠ WARNING

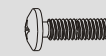
- Do not begin the installation until you have read and understood all the instructions and warnings contained in this installation sheet. If you have any questions regarding any of the instructions or warnings, please contact your local distributor.
- This mounting bracket was designed to be installed and utilised **ONLY** as specified in this manual. Improper installation of this product may cause damage or serious injury.
- This product should only be installed by someone with good mechanical ability who has basic building experience and fully understands this manual.
- Make sure that the supporting surface will safely support the combined weight of the equipment and all attached hardware and components.
- Always use an assistant or mechanical lifting equipment to safely lift and position the equipment.
- Tighten screws firmly, but do not over tighten. Over tightening can cause damage to the items, This greatly reduces their holding power.
- This product is intended for indoor use only. Using this product outdoors could lead to product failure and personal injury.

Component Checklist

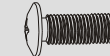
IMPORTANT: Ensure that you have received all parts according to the component checklist prior to installation. If any parts are missing or faulty, telephone your local distributor for a replacement.



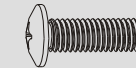
Package M



M5x14 (x4)
M-A



M6x14 (x4)
M-B



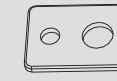
M8x20 (x4)
M-C



M6x30 (x4)
M-D



M8x30 (x4)
M-E



washer (x4)
M-F



small spacer (x8)
M-G



big spacer (x4)
M-H

Package P



M8x60 (x1)
P-A



M8x60 (x1)
P-B



M8x55 (x1)
P-C



M8x14 (x2)
P-D



M8 nut (x4)
P-E



D8 ø8.5xø16 washer (x5)
P-F



washer (x4)
P-G



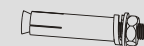
ø10.5xø20 washer (x1)
P-H



ø8.5xø17.5 washer (x3)
P-I



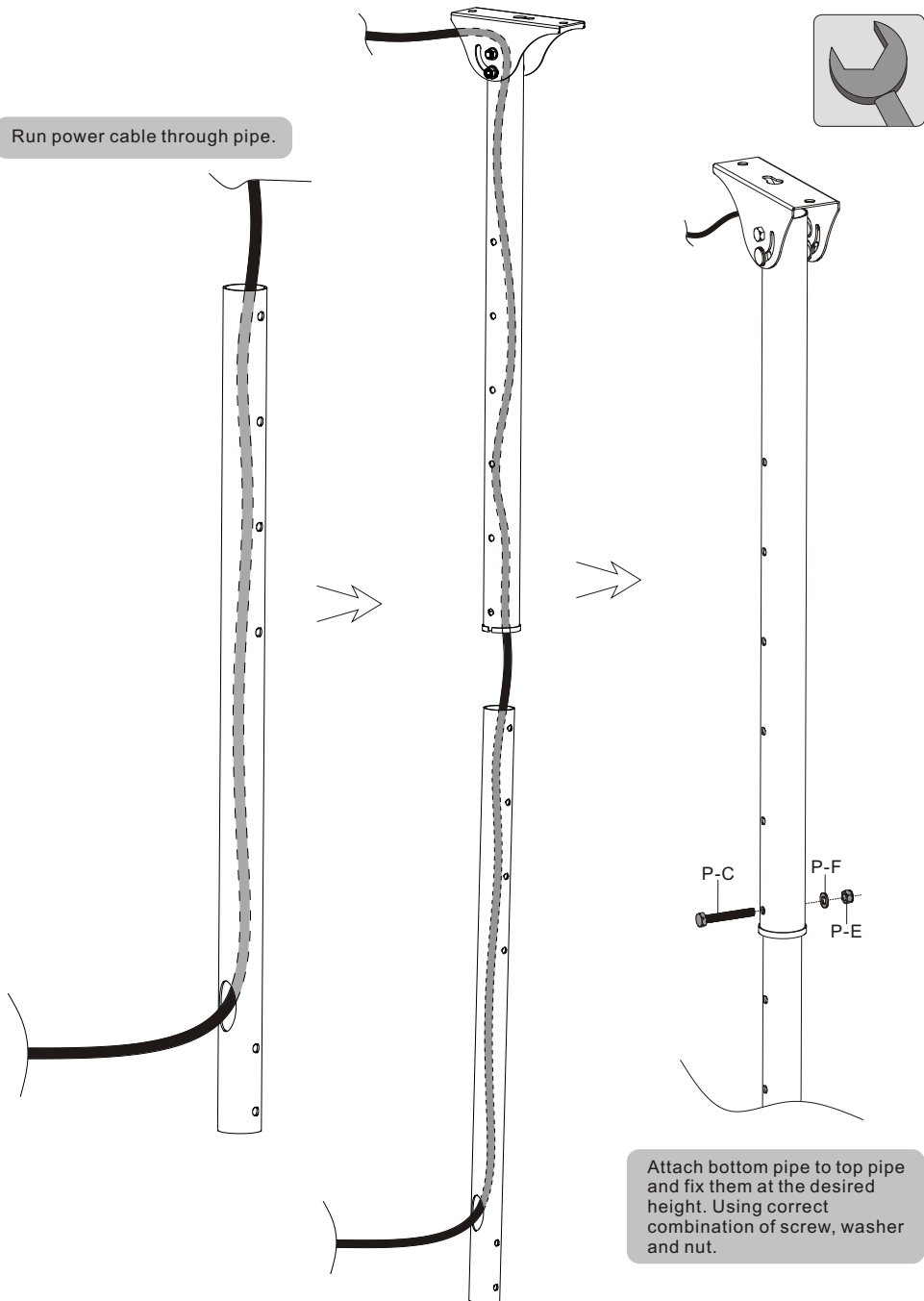
M8 iron knob (x1)
P-J



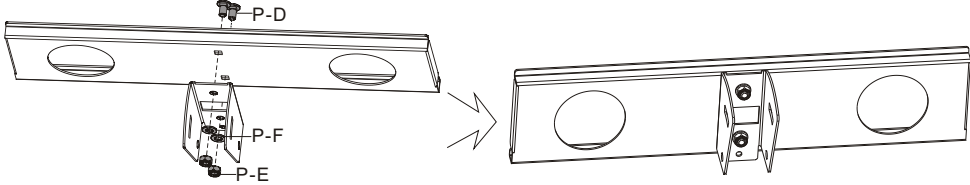
M8x70 iron expansion bolt (x3)
P-K

1. Assembling the Pipes

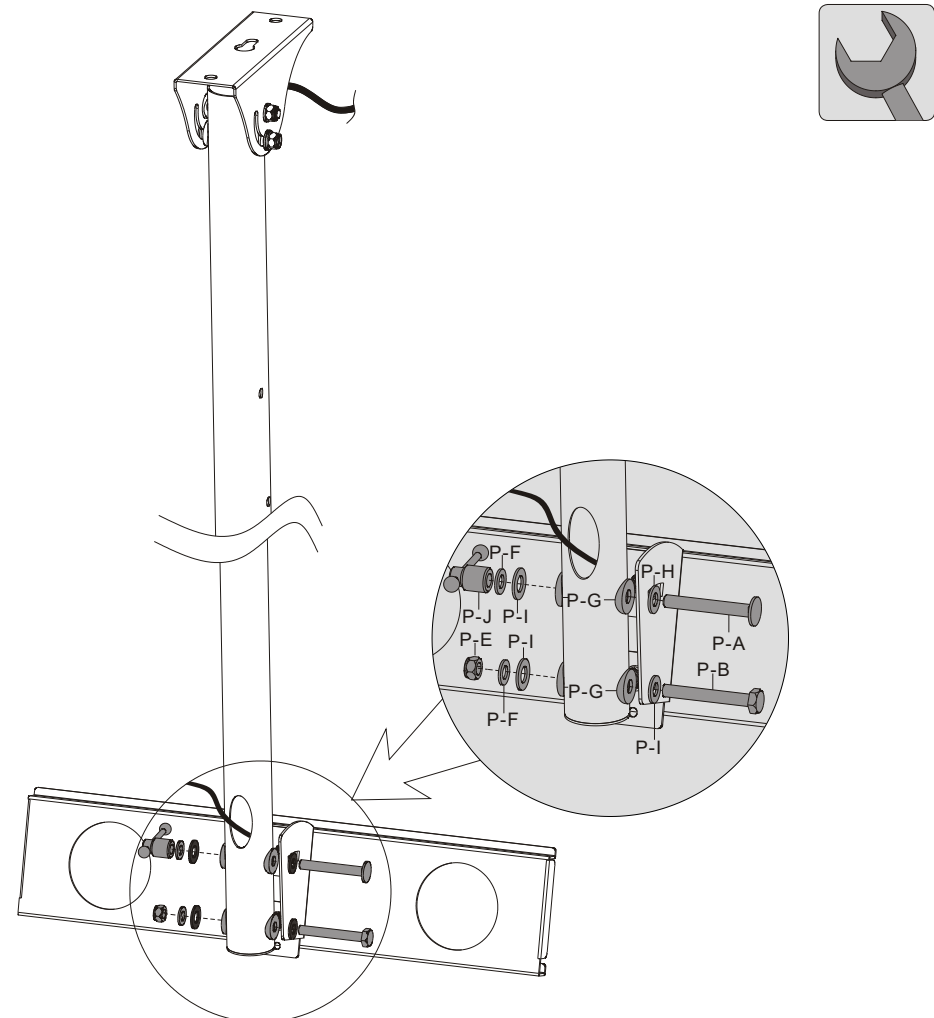
Run power cable through pipe.



2. Assembling the the Universal Plate

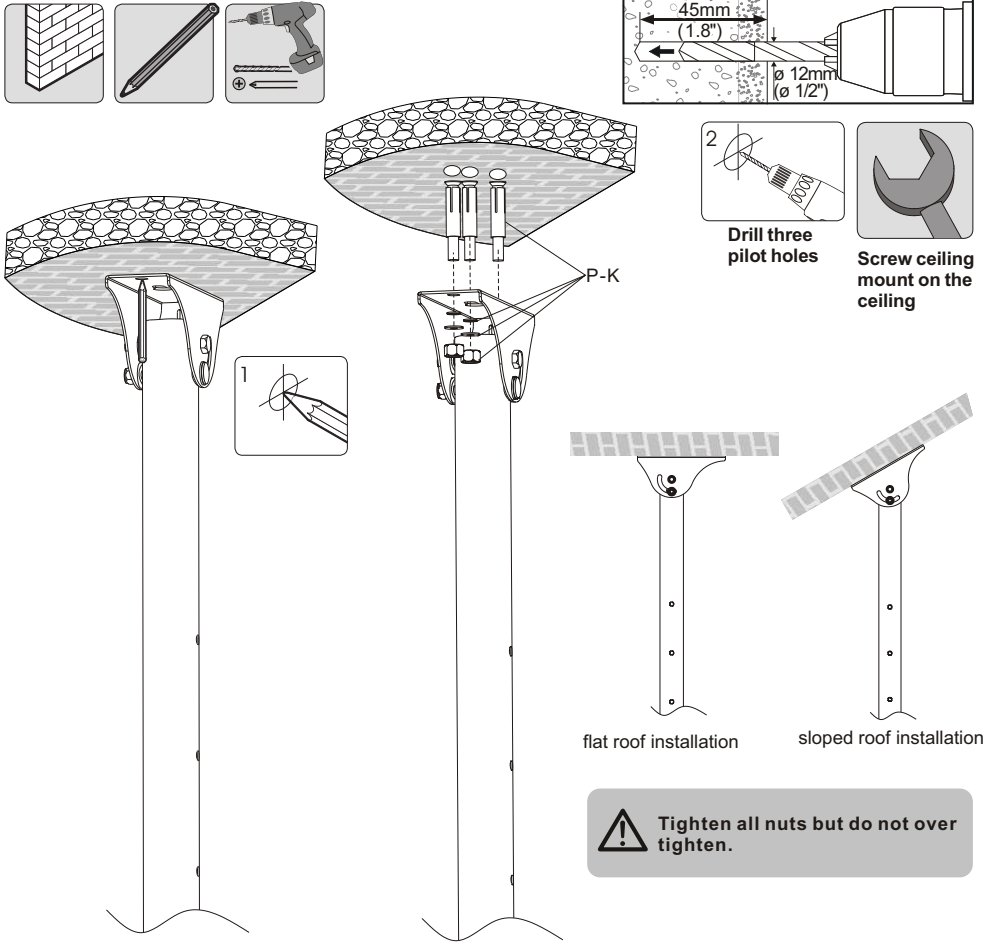


Attach connect plate to the universal plate using correct combination of screws, washers and nuts.



Assemble the universal plate and bottom pipe with connect plate. Using correct combination of screws, washers, nuts and iron knob.

3. Mount on Solid Brick and Concrete Block



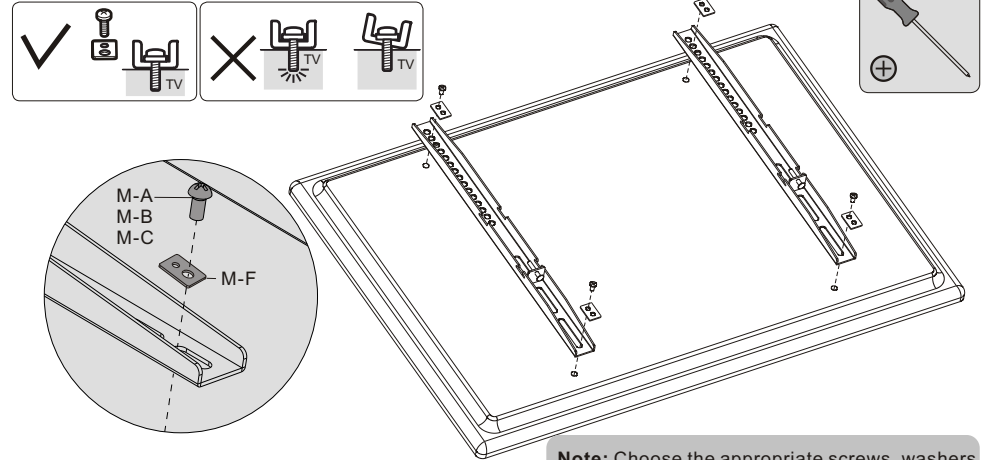
⚠ Tighten all nuts but do not over tighten.

⚠ WARNING

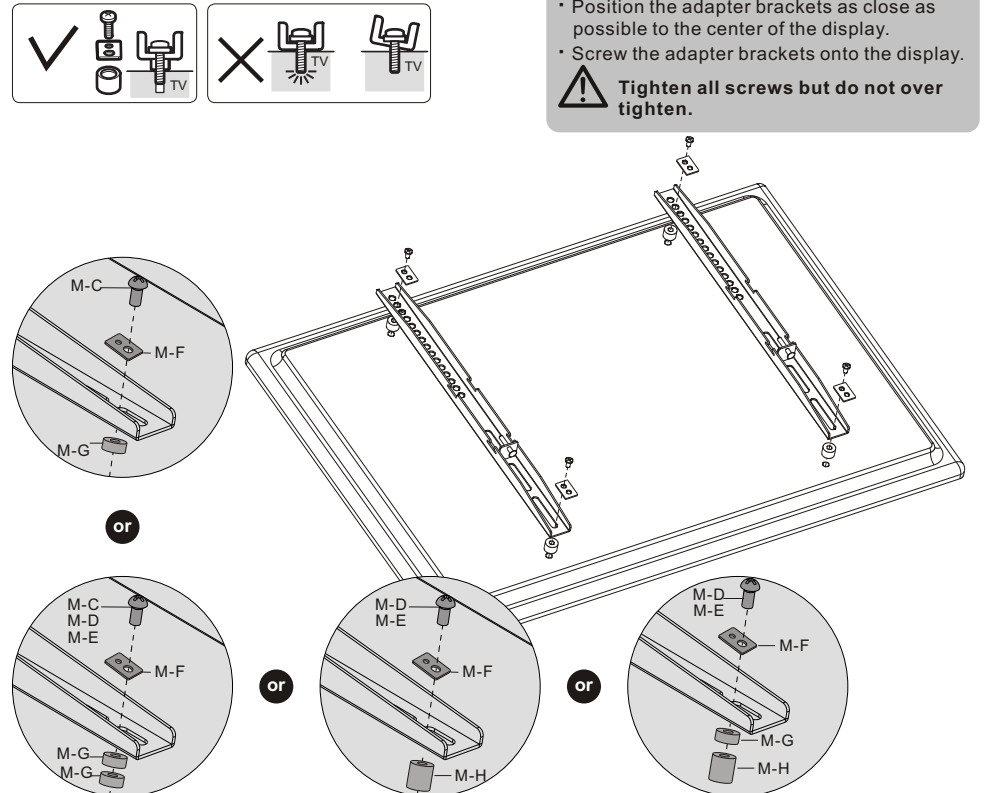
Installers must verify that the supporting surface will safely support the combined weight of the equipment and all attached hardware and components.

4. Installing the Adapter Brackets

4-1 For Flat Back Screens



4-2 For Recessed Back Screens or to Access A/V Inputs

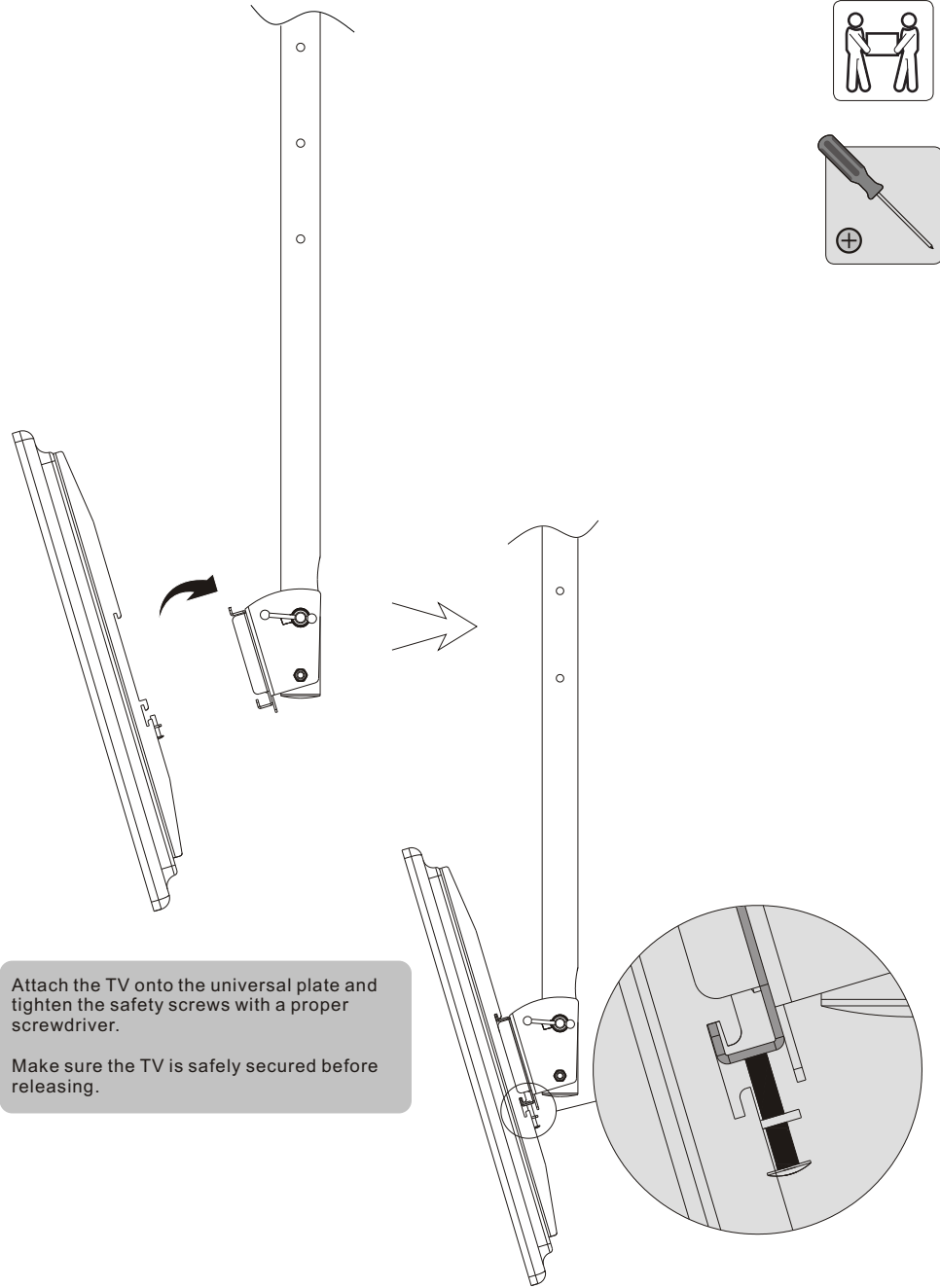


Note: Choose the appropriate screws, washers and spacers (if necessary) according to the type of screen.

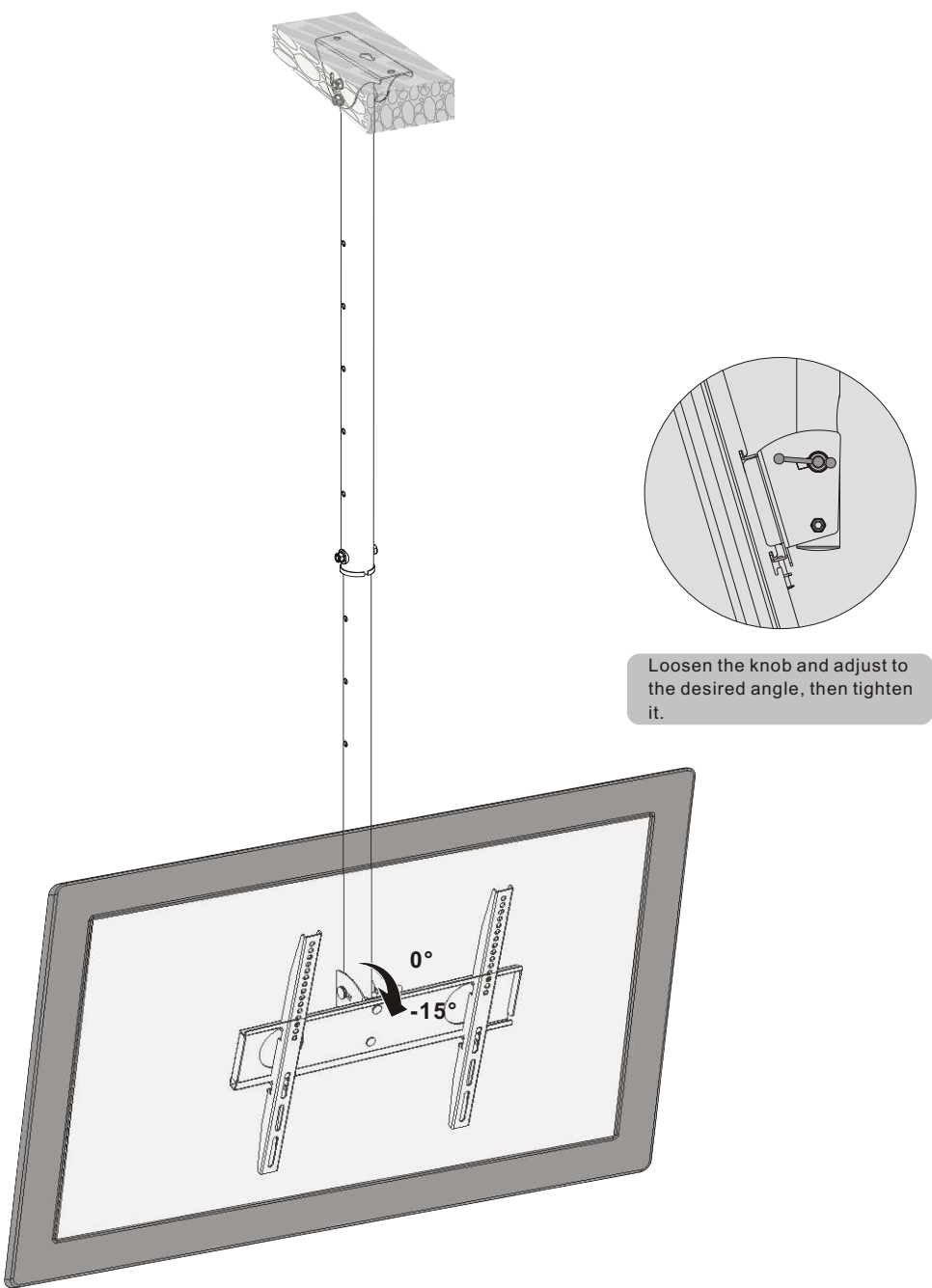
- Position the adapter brackets as close as possible to the center of the display.
- Screw the adapter brackets onto the display.

⚠ Tighten all screws but do not over tighten.

5. Hanging the TV onto the Universal Plate



6. Adjustment





Maintenance

- Check that the bracket is secure and safe to use at regular intervals (at least every three months).
- Please contact your distributor if you have any questions.