

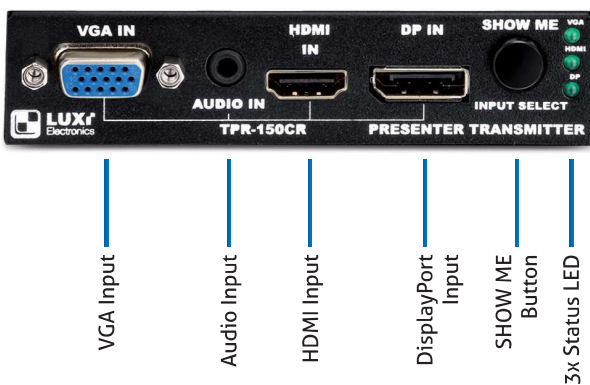
# Luxi Presenter™ Quick Start Guide

## LU-TPR-150CR

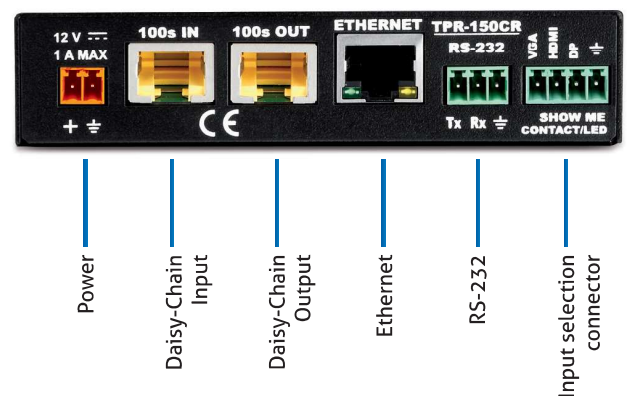
Thank you for purchasing the Luxi Electronics® TPR-150CR Presenter™ transmitter. Please read this guide carefully before using the product.

The TPR-150CR has 2 PCBs. The front PCB includes the switcher and scaler; please refer to the "Video signal path" and "Audio signal path" sections in the right column of the specs on page 4 for details. The rear PCB includes the daisy chain circuits. Think of the daisy chain as the flow of a river; each transmitter (Tx) connects to a source device and loads the signal to the river flow; each receiver (Rx) unloads the signal from the river flow and sends it to the display it is connected to. The front panel and the RS-232 controls determine which source signal is routed to which display.

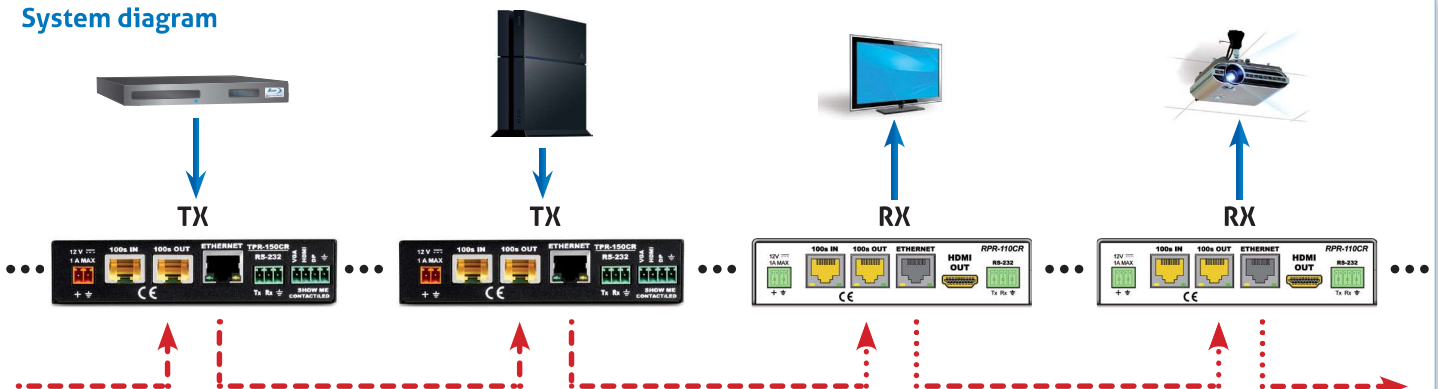
### Transmitter - front view



### Transmitter - rear view



### System diagram

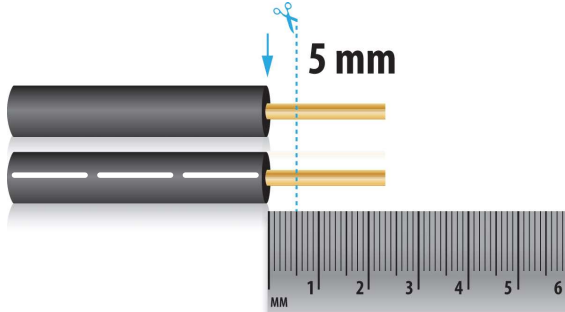


**Power options:**  
This product can draw power from other Presenter products in the chain or from an optional external power supply.

**Important Info:**  
Minimum specifications for Cat.X cables: Cat.6, UTP, 550MHz, 23/24 AWG, solid conductors, min. 2m

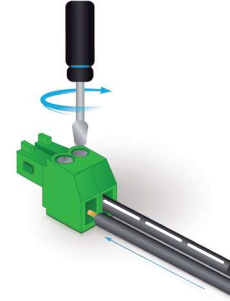


### Captive screw plug termination



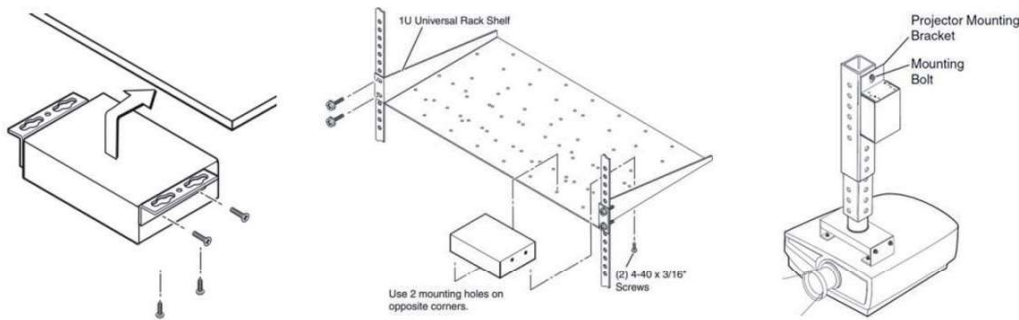
The captive screw plugs for power, RS-232 and contact controls are supplied with the unit. Separate the wires about 2,5cm long; strip off precisely 5mm of the wires insulation from the end.

### Captive screw plug termination



Identify the positive and negative leads of the power supply before assembly. When using a 3rd party PSU this must be checked before assembly. **CAUTION - always confirm your PSU connection with a multimeter before inserting it into the product - a miswired connection will cause damage to the product and void the warranty!!**

### Mounting options



The under desk mount is sold separately (LU-UDM-100); the product also fits many other mounting hardware from Extron, Middle Atlantic, etc. Only use the type 4-40, 3/16" (5mm) long screws supplied with the mounting hardware to screw onto the product. Wrong type of screw

could strip the threads; too long screw could touch and short the internal circuitry, cause permanent damages to the product and void the warranty.

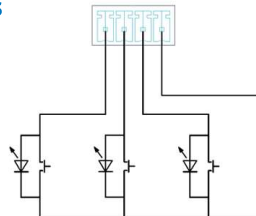
### Power options

This product draws power from an external 12V power supply sold separately (Luxi LU-PS-XXX). Do NOT plug the power supply connector into any other sockets; this could cause permanent damage to the product and the warranty will be void.

### Auto input switching

When activated by a RS-232 command, the switcher will select the last connected input with an active signal as the current input. Auto switching is turned off after any front panel, external button push or a RS-232 input command. In the default setting, auto switching is turned off. Note: Due to the nature of the wide varieties of the DisplayPort product designs, some DisplayPort source devices may not trigger the auto switch. Use the manual switch when this happens.

### Control options



Pressing the "Show Me" button on the front panel will select the current box or toggle through the 3 video inputs. 3 sets of external contact closure push buttons and LEDs can select inputs discretely with the LED indication; please see wiring diagram. Both front panel and external LEDs work like this: only one LED associated with the active input is lit at any given time. When the current box is not selected in the daisy chain, the LED blinks slowly. When the current box is selected, LED lights up permanently. A RS-232 host connected to the rear panel can control all functions.

### Support

Please contact your seller directly for local support. See PureLink Germanys website for RS-232 commands, RS-232 Setup Guide, specifications and manual.

### RS-232 controls

Only the Show Me/input selections can be controlled via the front panel or external buttons; all other functions can only be controlled by RS-232. See the RS-232 Setup Guide on our website for further instructions. For a detailed list of possible RS-232 commands visit the downloads on the desired products page.