



M Public Floorstand Basic

EAN: 7 350 073 732 319

- ar يضرأ نوي زفلت لم اح
- dk Gulvstativ
- de Bodenständer
- el Επιδαπέδια βάση
- en Floor Stand
- es Soporte de suelo
- fi Lattiateline
- fr Socle au sol
- it Supporto da terra
- no Gulvstativ
- pl Podstawa na podłogę
- ru Напольная подставка
- se Golvstativ
- tr Zemin Sehpası
- zh 落地架



Table of Contents








Table of Contents and Warning	2/13
Parts list	3/13
Assembly and Installation	
1. Castor wheels to base installation	4/13
2. Post assembly to base installation	5/13
3. Install telescopic mounting poles	6/13
4. Av shelf assembly and installation	7/13
5. Installation of interface	8/13
6. Selection of TV mounting patterns	9/13
7. Mounting TV on pole interface	10/13
8. Video tray installation	11/13
9. Cables and wires installation	12/13

WARNING!

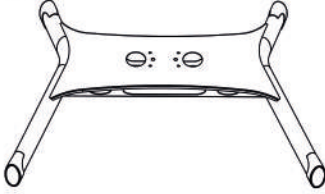
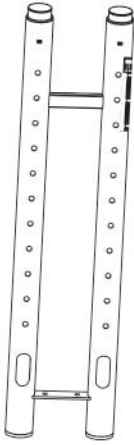


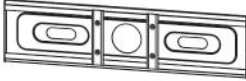







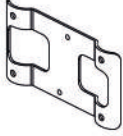










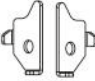


Severe personal injury and property damage can result from improper installation or assembly. Read the following warning carefully before beginning.

- If you do not understand the instructions or have any concerns or questions, please contact a qualified local installer.
 - Do not install or assemble if the product or hardware is damaged or missing, if you require replacement parts, please contact your local distributor for assistance.
 - This product fits most 32"-55" LCD/plasma screen; maximum weight of LCD/plasma screen: 45.5kg; AV shelf max load: 4.5kg; Video tray max load: 4.5kg.
 - Do not use this product for anything other than the original design.
 - This product contains moving parts, please use with caution.
 - The manufacturer disclaims any liability for the modifications, improper installation, or installation over the specified weight range. The manufacturer will not be liable for any damages arising out of the use of, or inability to use, the product.
- ▶ All images are for reference, to prevail in product.

Manual

						
Tightening Direction	loosening Direction	Phillips Screwdriver	Metre Rule	Adjustment	By Hand	Hex Wrench

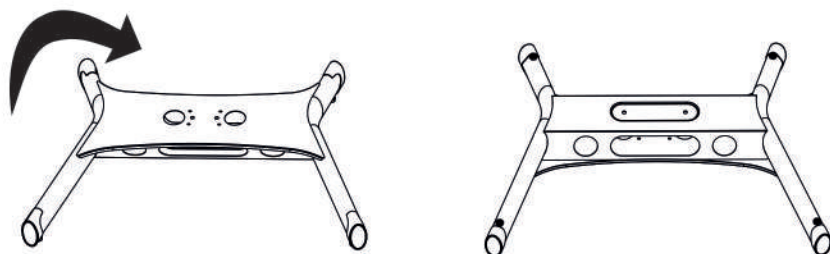
Parts List

<p>1X</p> 	<p>1X</p> 	<p>Option *</p> 	<p>4X</p> 		
<p>1X</p> 		<p>Option *</p> 	<p>Option **</p> 		
<p>Option **</p> 	<p>1X</p> 	<p>1X</p> 	<p>Option **</p> 	<p>Option **</p> 	<p>1X</p> 
<p>1X</p> 					
<p>A1 4X</p>  <p>M4×12mm</p>	<p>B1 4X</p>  <p>M5×25mm</p>	<p>C1 4X</p>  <p>M6×25mm</p>	<p>D1 4X</p>  <p>M8×25mm</p>	<p>E1 4X</p>  <p>Φ16×Φ6.2×1.5mm</p>	<p>F1 4X</p>  <p>Φ19×8.5×H13mm</p>
<p>A2 6X</p>  <p>M8×26mm</p>	<p>B2 4X</p>  <p>M8×55mm</p>	<p>C2 2X</p>  <p>M5×12mm</p>	<p>D2 1X</p> 	<p>E2 4X</p>  <p>Φ16.5×Φ12.5×2mm</p>	<p>F2 1X</p>  <p>M6</p>

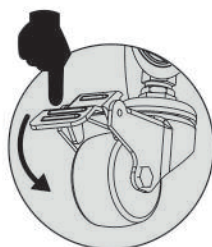
* Camera holder
** Shelf

1. Castor wheels to base installation

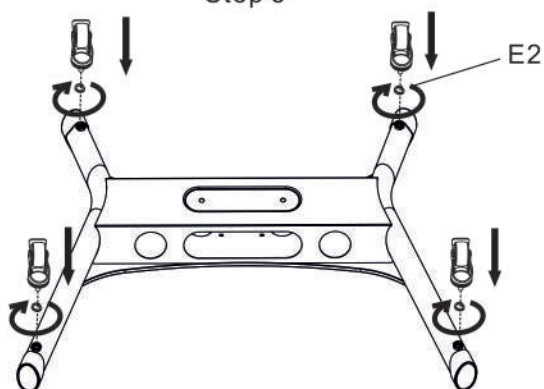
Step 1



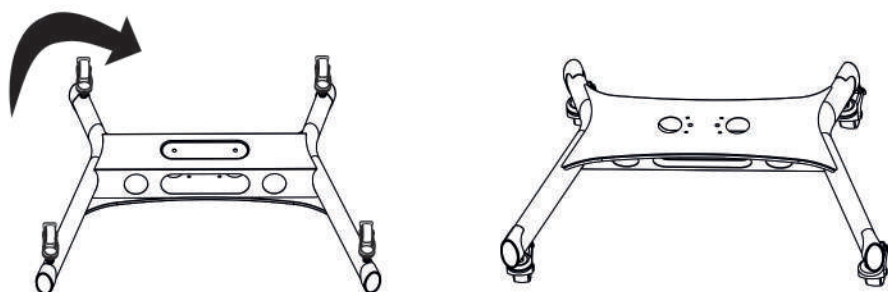
Step 2



Step 3



Step 4

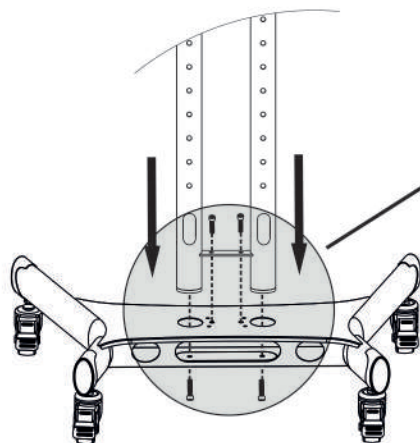


2. Post assembly to base installation

Step 1

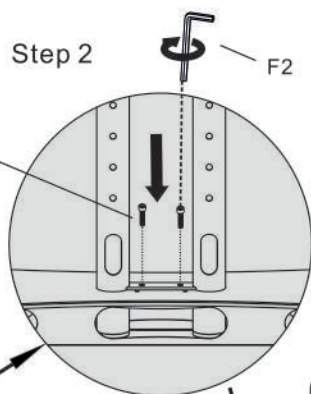
Note:

Make sure cables management windows are facing the rear of base.




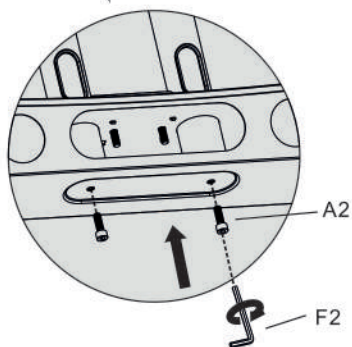
Step 2

A2

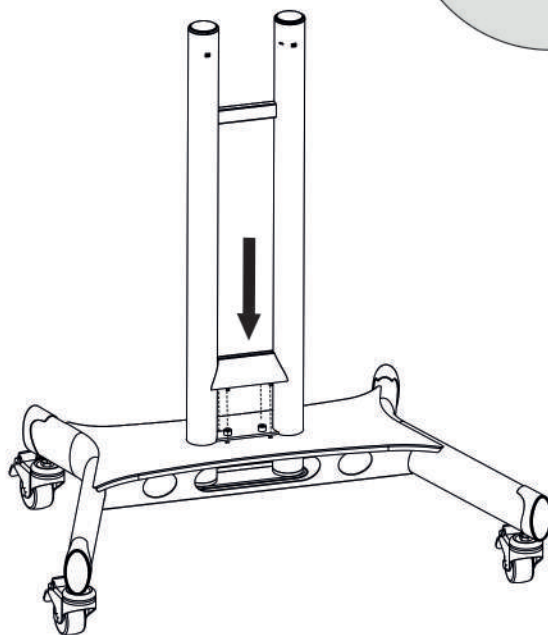


Step 3

Caution:  Ensure screws are secured firmly.



Step 4



3. Install telescopic mounting poles

Step 1. Use thumb or finger to depress the right upper pole spring plunger ball located at the cable window, twist and pull upper pole upward until your desired height. Shown in fig-1 twist upper pole toward the plunger holes direction and engage the spring ball into the plunger hole and set as shown in fig-2.

Step 2. Repeat step 1 for left pole.

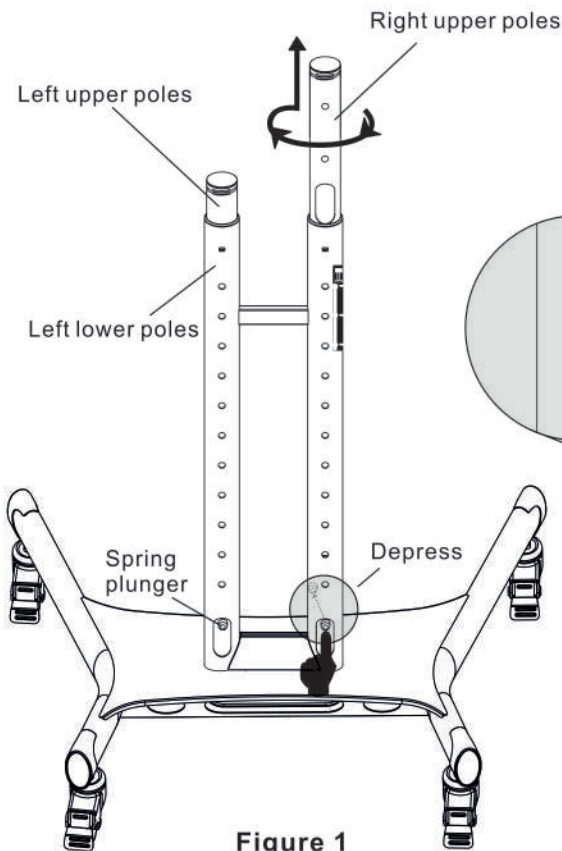


Figure 1

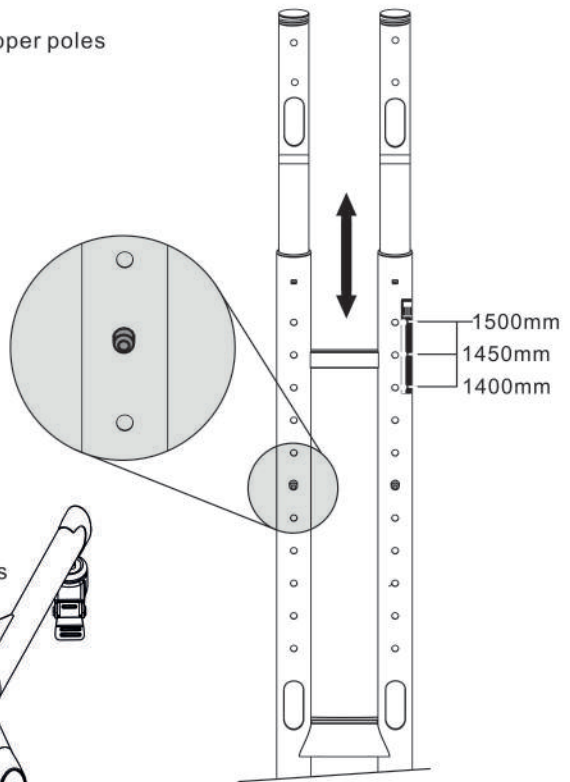
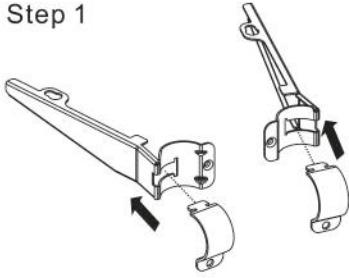


Figure 2

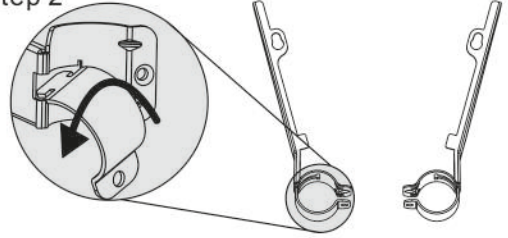
4. Shelf assembly and installation (optional)

EAN: 7 350 073 732 326

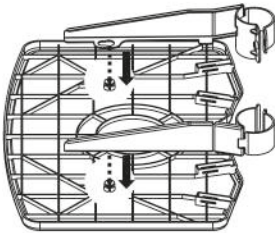
Step 1



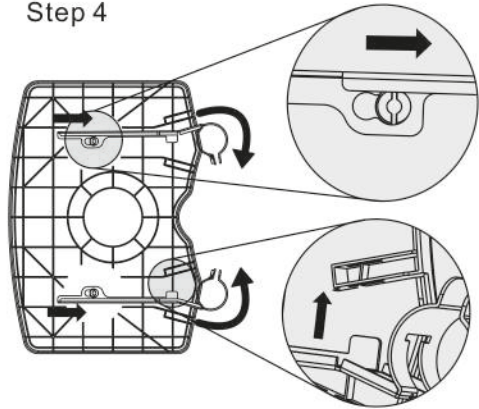
Step 2



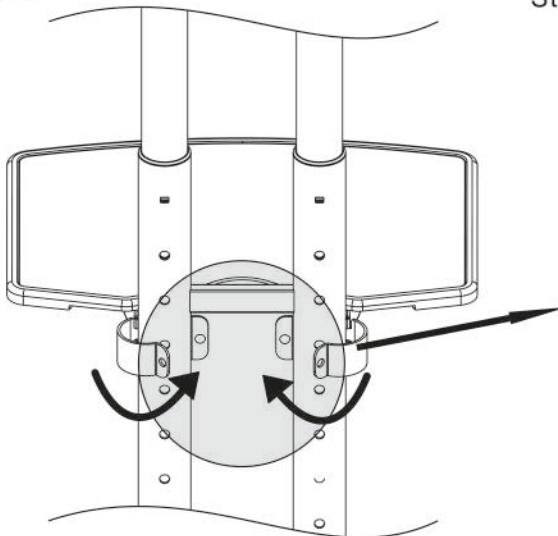
Step 3



Step 4

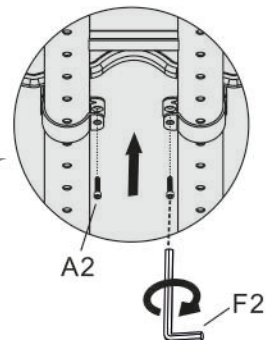


Step 5

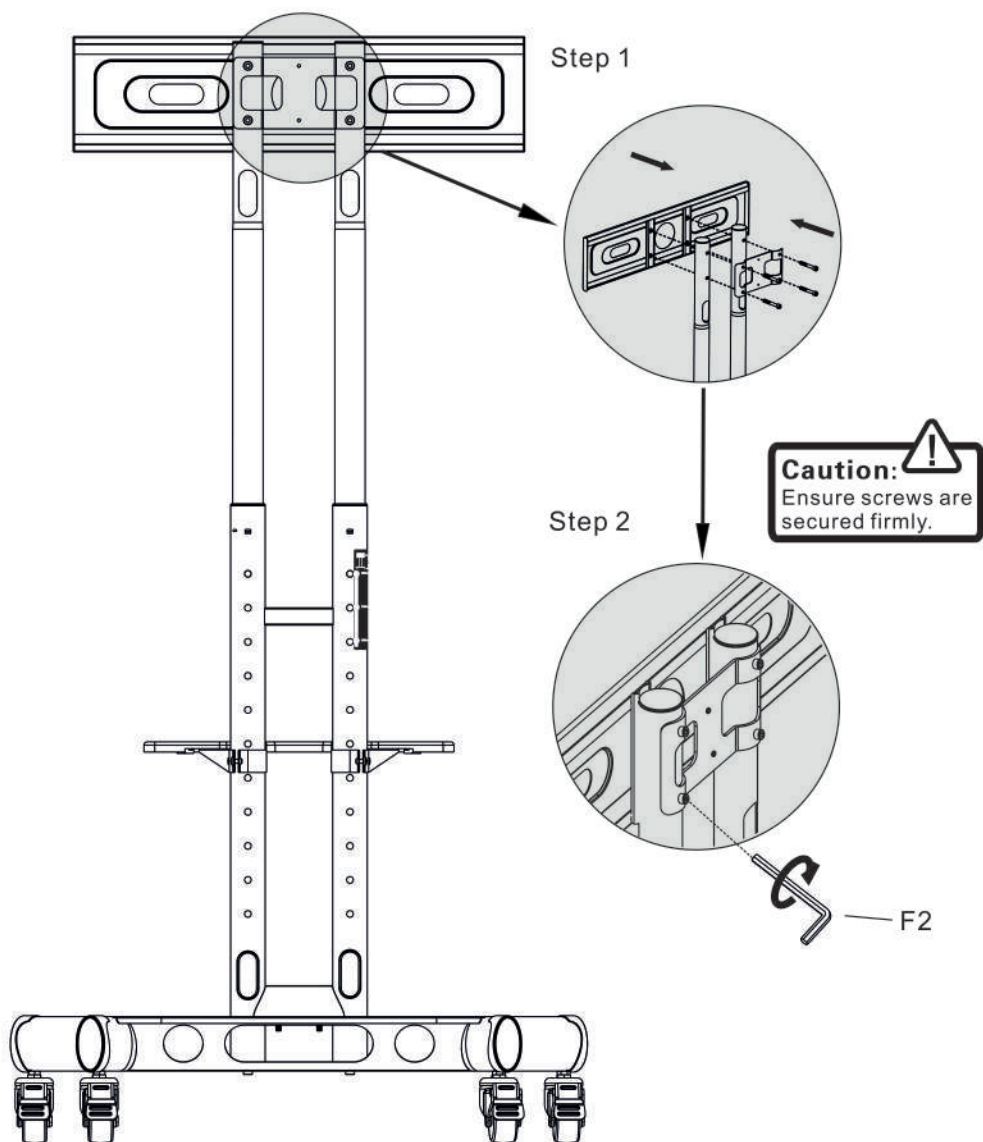


Step 6

Caution: 
Ensure screws are secured firmly.

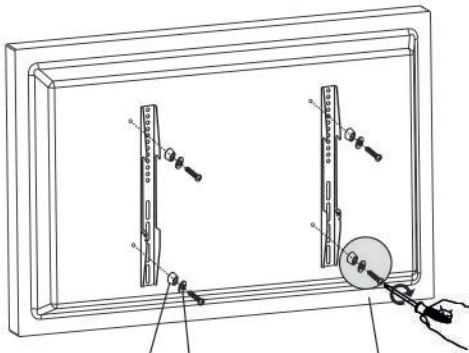
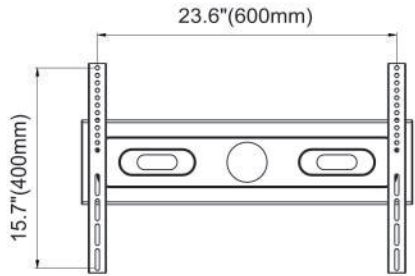
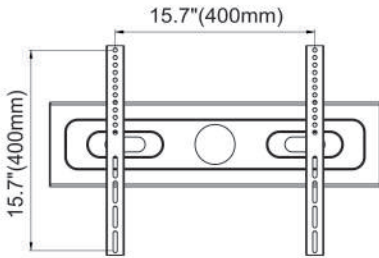
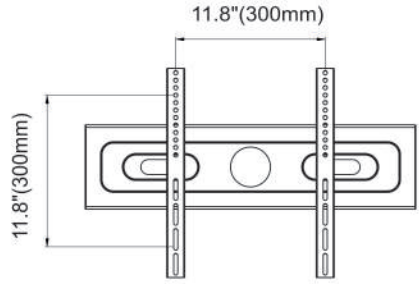
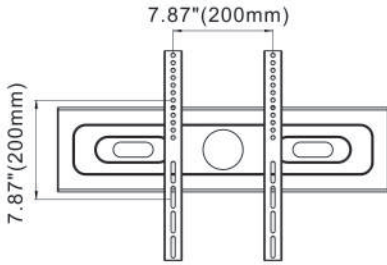


5. Installation of interface

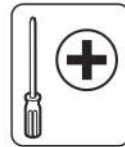


6. Selection of TV mounting patterns

VESA: 200x200~600x400mm



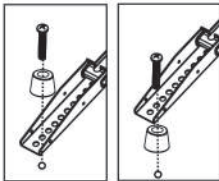
F1 E1 (B1, C1)+E1+F1/A1+E1 /D1+F1



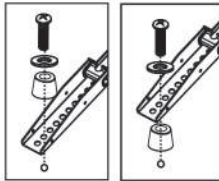
Note:

To avoid damage plastic spacer must be used when depth of mounting holes is minimal.

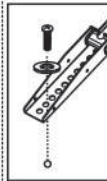
M8x25mm(D1)



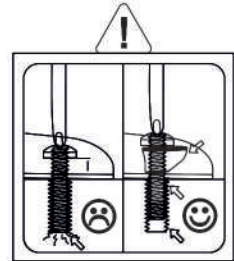
M5x25mm(B1)
M6x25mm(C1)



M4x12mm(A1)

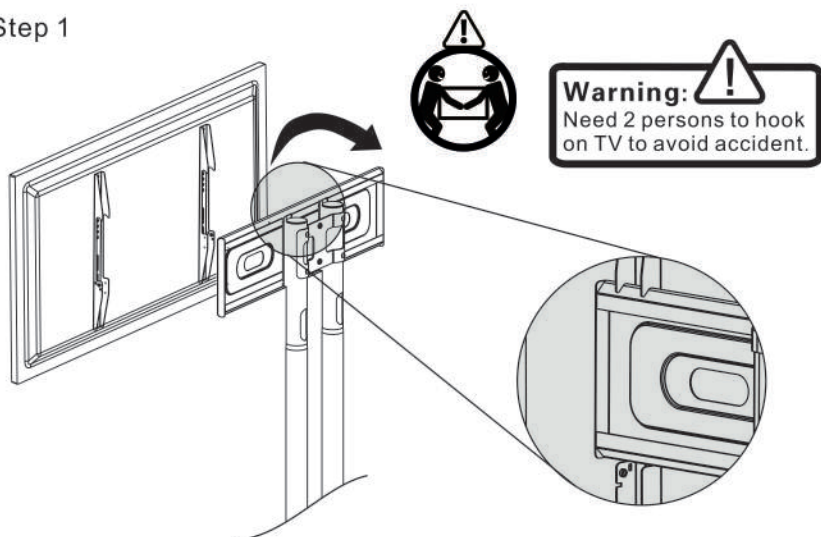


Safety advise



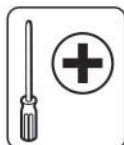
7. Mounting TV on pole interface

Step 1



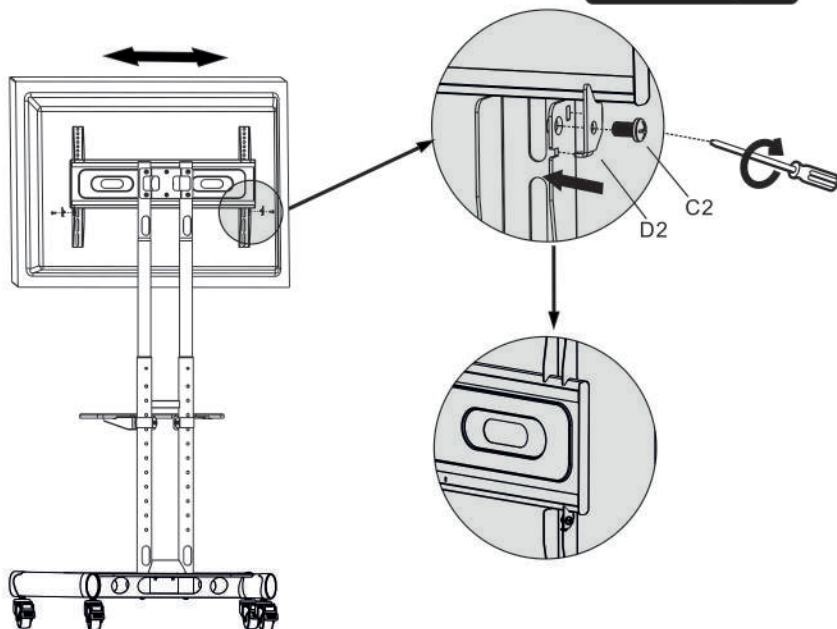
Step 2

Note:
Moves TV to center.



Step 3

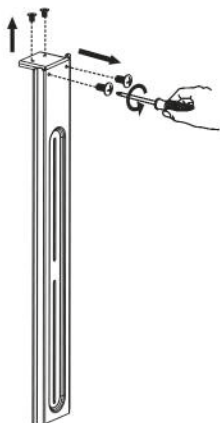
Caution:
Ensure screws are secured firmly.



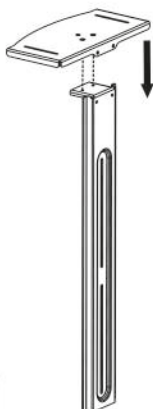
8. Camera holder installation (optional)

EAN: 7 350 073 732 333

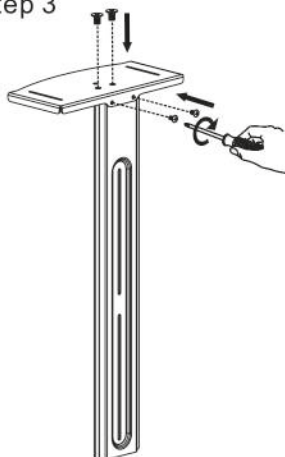
Step 1




Step 2

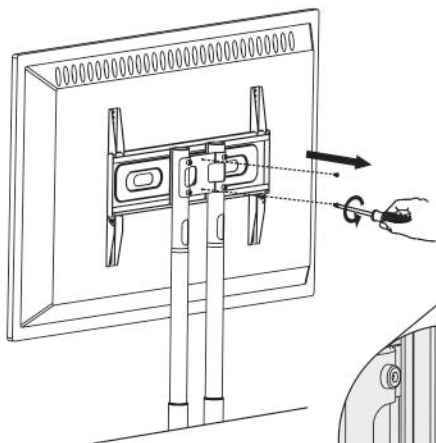


Step 3

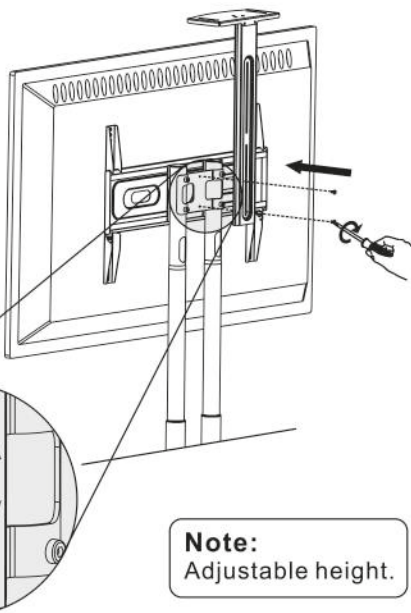


Caution: 
Ensure screws are secured firmly.

Step 4



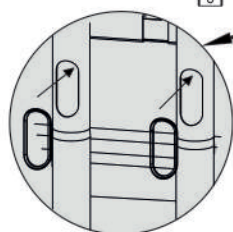
Step 5



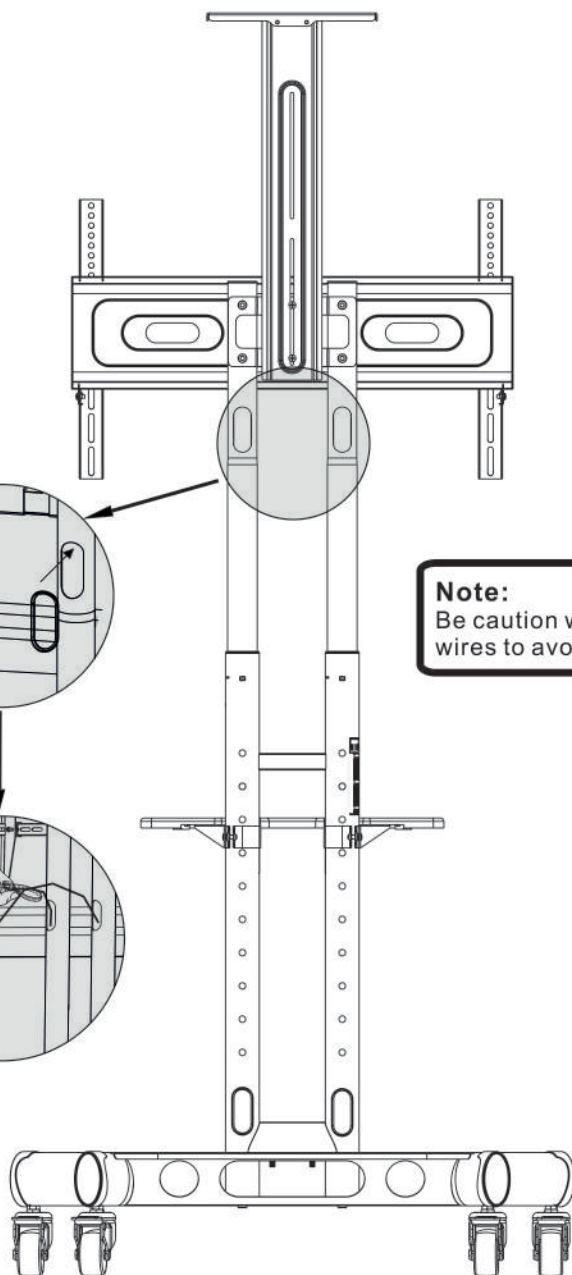
Note:
Adjustable height.

9. Cables and wires installation

Step 1



Step 2



Note:

Be caution when routing wires to avoid damage.