

## M Public Floorstand Basic 150 incl shelf & camera holder

Suitable for: **Public environments**

Screen size: **32-60"**

Change floorstand type: **M Public Floorstand Basic**

**Multibrackets M Public Floorstand Basic 150 - Stand for video conferencing system - screen size: 32" - 60" - max load: 50kg - VESA: 100x100-600x400 mm - black**

The Multibrackets Floorstand Basic TV Trolley, is a mobile TV -Stand capable of supporting any LCD, LED, or Interactive -display up to a screen size 60" , 50kg in weight and up to 600 x 400mm VESA.

Quick and easy to install, combining neat design touches with robust quality, this superb value TV Trolley will give a lifetime of enjoyable and reliable performance.

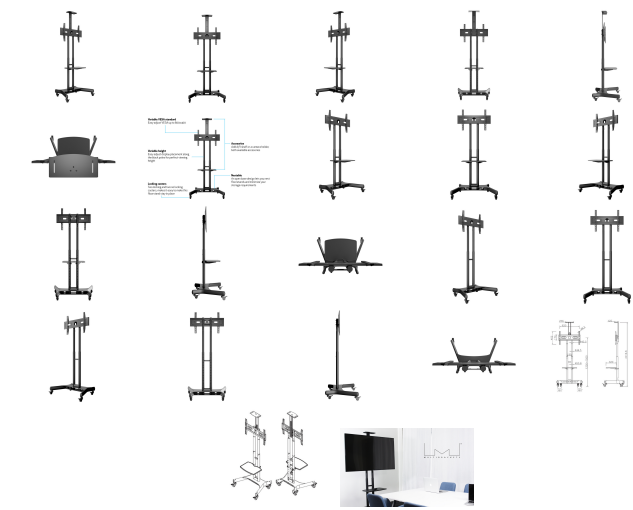
Perfect for use in education; classrooms, lecture theatres, or in commercial environments, Floorstand Basic features a large and stable base with four robust wheels . You can now move your valuable display safely and easily from room to room with smooth passage through doorways and over thresholds.

Easy screen height- adjustment, and mobility mean that an optimal viewing position can always be achieved for any presentation, digital -signage or video-conference situation. The heavy -duty wheels feature a safety- brake, ensuring the Stand cannot roll out of position, whilst the integrated cable-management system ensures a tidy and professional look.

Accessories include an AV shelf, suitable for a DVD, laptop etc. or a camera shelf for the complete Video Conferencing solution.



Click on the thumbnail for a larger image:



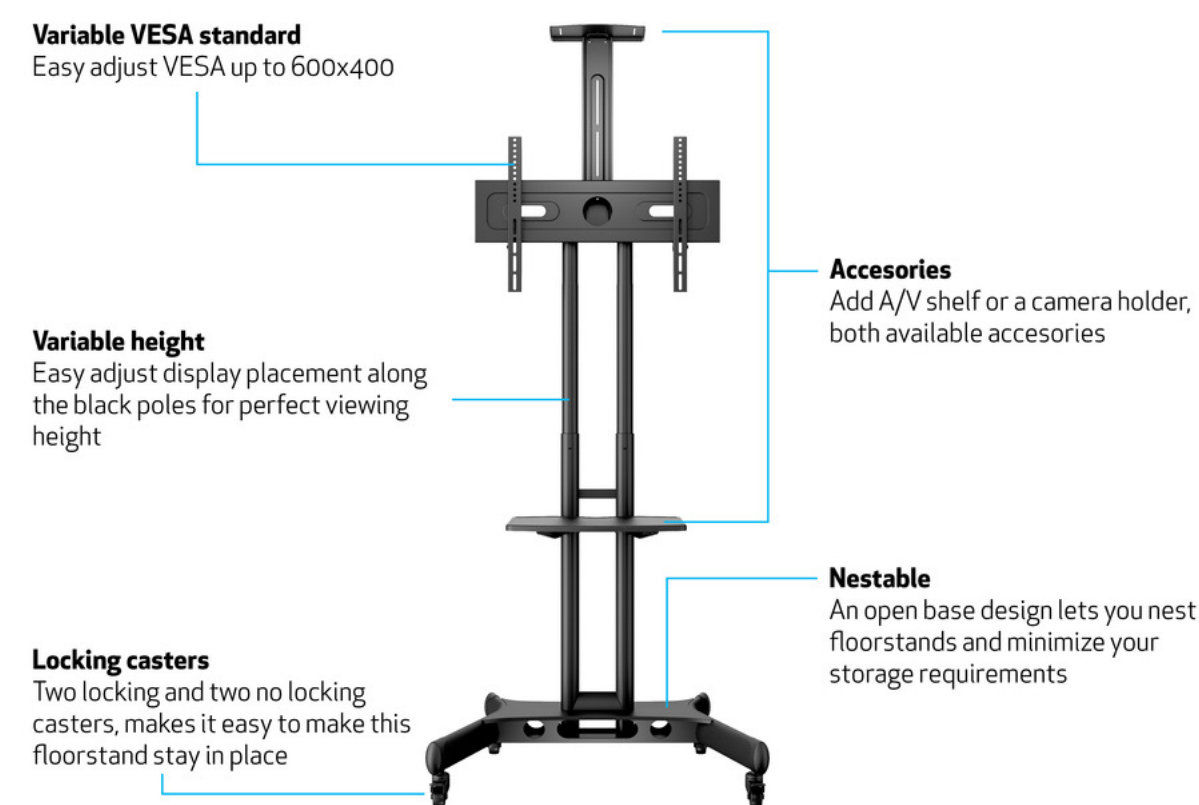
See Multibrackets Channel on Youtube:



Multibrackets Channel

Downloads

- [High Resolution Photos](#)
- [Product Fact Sheet](#)
- [Manual](#)
- [Video](#)



### SPECIFICATION

M Public Floorstand Basic 150	
For screen size:	32-60"
Feature:	Highly customizable
Max VESA:	600 x 400 mm
VESA standard:	100x100, 200x100, 200x200, 300x200, 300x300, 400x300, 400x400, 600x400 mm
Article No:	7 350 073 732 319
Size in mm: (WxDxH)	available in a moment
Adjustable height:	Yes
Weight:	16,5 kg
Colour:	Black
Max load:	50 kg
DVD Shelf / Camera holder:	Included
Power rail 220V:	No
Package size:	available in a moment
Screen position:	Landscape (portrait possible but with limitations of bracket size/width)
Accessories:	AV shelf and Camera holder included
Wheels:	Yes
Mount to floor:	No
Warranty:	5 years